

**COMBAT SERVICE SUPPORT, MAINTENANCE**

**VOLUME 2**

**MAINTENANCE IN BATTLE**

(BILINGUAL)

(Supersedes B-GL-314-002/AM-001 dated 1973-10-09, B-GL-314-004/AM-001 dated 1973-10-29 and B-GL-314-002/FP-001 dated 1987-06-15)

**WARNING**

Although not classified this publication or part of it may be exempt from disclosure to the public under the access to Information Act. All elements of information contained therein must be closely scrutinized to ascertain whether or not the publication or part of it may be released.

**Issued on Authority of the Chief of the Defence Staff**

## LIST OF EFFECTIVE PAGES

Insert latest changed pages; dispose of superseded pages in accordance with applicable orders.

### NOTE

The portion of the text affected by the latest change is indicated by a black vertical line in the margin of the page. Changes to illustrations are indicated by miniature pointing hands or black vertical lines.

Dates of issue for original and changed pages are:

Original ..... 0 ..... 1989-09-25	Ch ..... 7 .....
Ch ..... 1 .....	Ch ..... 8 .....
Ch ..... 2 .....	Ch ..... 9 .....
Ch ..... 3 .....	Ch ..... 10 .....
Ch ..... 4 .....	Ch ..... 11 .....
Ch ..... 5 .....	Ch ..... 12 .....
Ch ..... 6 .....	

Zero in Change No. Column indicates an original page. The use of the letter E or F indicates the change is in English or French only. Total number of pages in this publication is 175 consisting of the following:

Page No.	Change No.	Page No.	Change No.
Cover.....	0	2-1 to 2-12.....	0
Title.....	0	3-1 to 3-19/3-20.....	0
A.....	0	4-1 to 4-45/4-46.....	0
i/ii.....	0	5-1 to 5-24.....	0
iii/iv.....	0	6-1 to 6-22.....	0
v/vi.....	0	7-1 to 7-20.....	0
vi to xiii/xiv.....	0	8-1 to 8-8.....	0
1-1 to 1-10.....	0	A-1/A-2.....	0

**Contact Officer: SO Doc Prod**

© 1989 DND Canada

## **FOREWORD**

1. B-GL-314-002/FP-001, Combat Service Support, Volume 2, Maintenance in Battle, is issued on authority of the Chief of the Defence Staff.
2. This publication is effective on receipt and supersedes B-GL-314-002/AM-001 published 6 Oct 1973, B-GL-314-004/AM-001 published Oct 1973 and B-GL-314-002/FP-001 published Jun 1987.
3. Requests for changes to this publication are to be sent through command headquarters (Attention: Mobile Command Headquarters, Attention SO Doc Prod).

## **PREFACE**

### **GENERAL**

1. The aim of B-GL-314-002/FP-001, Maintenance in Battle, is to describe how Land Electrical and Mechanical Engineers support the army in battle.
2. The scope of this manual is restricted to maintenance related to the EME system. While the broader contract of maintenance includes aviation, medical, and telecommunication maintenance support, these systems are covered in detail in appropriate branch manuals. They are not covered in this manual except where necessary to clarify coordination aspects of these various maintenance systems.
3. The first chapter describes the Electrical and Mechanical Engineering (EME) System in general. Chapters 2 and 3 outline the army organizations within an Area of Operations and describe the EME System in greater detail, discussing the types of activities that occur at all organizational levels. Chapters 4 to 6 describe the EME organizations and the method of operation at each level. Chapter 7 describes the deployment and tactical handling of EME organizations. Chapter 8 discusses EME operations in extreme environments.
4. The two keystone manuals outlining Canadian doctrine for the army are B-GL-300-000/FP-000, The Army, and B-GL-301-000/FP-001, Land Formations in Battle. These manuals provide the basis on which our land forces operate in war and are recommended reading before continuing the study of this manual. Other manuals should be consulted when studying the EME system, they are:
  - a. B-GL-311-000/FP-000 Administration in the Field
  - b. B-GL-312-001/FP-001 Brigade Group Service Battalion in Battle
  - c. B-GL-312-002/FP-001 Division Service Group in Battle
  - d. B-GL-312-003/FP-001 Corps Service Command (COSCOM) in Battle



# CONTENTS

## CHAPTER 1 - INTRODUCTION

### Section 1 - General

Introduction

### Section 2 - Role and Tasks of the EME

Role of the EME System

Tasks and Scope of the EME System

### Section 3 - Maintenance

Level of Maintenance

Lines of Maintenance

Relationship of Line to Levels of Maintenance

### Section 4 - Principles of EME Operation

Introduction

Foresight

Flexibility

Co-ordination

Co-operation

Economy

Stability

Simplicity

Protection

Self-Sufficiency

## CHAPTER 2 - THE EME SYSTEM

### Section 1 - Introduction

General

The Battlefield

Formations

EME Line Organizations

EME Staff Organizations

### Section 2 - Technical Control

Introduction

## **Section 3 - EME Operations**

Introduction  
Equipment Casualty Classification  
Movement of Equipment Casualties

## **CHAPTER 3 - ORGANIZATIONS**

### **Section 1 - Introduction**

General  
Administration Areas

### **Section 2 - Structuring of EME Units**

Introduction  
Structure

### **Section 3 - EME Resources**

Introduction  
Manpower  
Vehicles  
Technical Equipment  
Repair Parts  
Unit Stores and Equipment

### **Section 4 - Battlefield Recovery**

Introduction  
The Battlefield Recovery System

## **CHAPTER 4 - UNIT MAINTENANCE**

### **Section 1 - Introduction**

General  
Role and Scope

### **Section 2 - Organizational Factors**

Introduction  
Maintenance Platoon/Troop  
Characteristics  
Organizational Factors

### **Section 3 - Resources**

General  
Manpower  
Vehicles  
Technical Equipment  
Repair Parts  
Unit Stores and Equipment

### **Section 4 - Command and Control**

Centralized and Decentralized Maintenance  
Chain of Command Within a Unit  
Key Appointments  
Communications

### **Section 5 - EME Operations at Unit Level**

Unit Level Repairs  
Repair Parts  
Unit Recovery  
Technical Inspections  
Modifications

### **Section 6 - Combat, Combat Support and Combat Service Support Unit Maintenance**

General  
Infantry Battalion Maintenance Platoon

Armoured Regiment Maintenance Troop

Armoured Reconnaissance Regiment Maintenance Troop  
Artillery Regiment Maintenance Troop

Anti-Armour Regiment Maintenance Platoon  
Field Engineer Maintenance Troop

Headquarters and Signals Regiment Maintenance Troop  
Tactical Aviation Squadron Land Maintenance Section  
Service Battalion Unit Maintenance Platoon or Section  
Field Ambulance Maintenance Section

Military Police Company Maintenance Section  
Battle Group Maintenance Support



## **CHAPTER 5 - SECOND LINE EME SUPPORT**

### **Section 1 - General**

Introduction  
Responsibilities of Second Line EME Organizations  
Organizational Factors  
Method of Operation

### **Section 2 - The DISGP Service Battalion**

Introduction  
Organization  
Capabilities

### **Section 3 - The Brigade Group Service Battalion Maintenance Company**

Introduction  
Organization and Capabilities

### **Section 4 - The DISGP Maintenance Battalion**

Introduction  
Organization and Capabilities

### **Section 5 - Brigade and Division EME Staffs**

Introduction  
Brigade G4 Maintenance Staff

Division G4 Maintenance Staff

DISGP Headquarters G4 Maintenance Staff

## **CHAPTER 6 - THE COSCOM MAINTENANCE BRIGADE**

### **Section 1 - General**

Introduction  
Responsibilities of a Third Line EME Organization  
Organizational Factors  
Methods of Operation

### **Section 2 - Third Line EME Organization**

Introduction

Organization

The Maintenance Brigade Headquarters

The Heavy Workshop Battalion

The COSCOM Medium Workshop Battalion

The Recovery Battalion

The Engineering and Technical Training Battalion

### **Section 3 - Corps and COSCOM Headquarters EME Staffs**

Introduction

Corps Headquarters EME Staff

The COSCOM Headquarters EME Staff

## **CHAPTER 7 - DEPLOYMENT AND TACTICAL HANDLING OF EME ORGANIZATIONS**

### **Section 1 - General**

Introduction

Defence and Protection

Sites

Movement

Camouflage and Concealment

### **Section 2 - Layout of EME Organizations**

Introduction

Layout of a Unit Maintenance

Platoon or Troop

Layout of a DISGP Service Battalion

Maintenance Company

Layout of a Brigade Group Service Battalion Maintenance Company

Layout of a DISGP Maintenance Battalion

Layout of a COSCOM Maintenance Brigade

### **Section 3 - Types of Operations**

Introduction

Defence

Offence

Withdrawal

## **CHAPTER 8 - MAINTENANCE IN VARIOUS ENVIRONMENTS**

## **Section 1 - General**

Introduction

Desert Operations

Jungle Operations

Mountain Operations

Northern Operations

NBCW Operations

Contamination of Equipment

Decontamination

NBC Policy in EME Units

Conclusion

## **ANNEX A - REFERENCES AND STANDARDIZATION AGREEMENTS**

## LIST OF FIGURES

### FIGURE TITLE

- 1-1 Lines and Levels of Maintenance
  
- 2-1 Territorial Organization of an Area of Operations
- 2-2 The Corps Area
- 2-3 A Typical Corps
  
- 2-4 The Mechanized Division
- 2-5 The Armoured Division
- 2-6 The Mechanized Brigade
- 2-7 The Armoured Brigade
- 2-8 Division Services Group (DISGP) Organization
- 2-9 The Technical Chain of Control
  
- 3-1 Formation Administration Areas Showing EME Organizations
  
- 3-2 EME Functional Model
- 3-3 An Infantry Battalion Maintenance Platoon
- 3-4 A DISGP Service Battalion Maintenance Company
  
- 3-5 A DISGP Maintenance Battalion
  
- 3-6 A COSCOM Maintenance Brigade
  
- 3-7 The Battlefield Recovery System
  
- 4-1 The Echelon System
- 4-2 A Typical Maintenance Platoon or Troop Organization
- 4-3 Examples of Centralized and Decentralized Command of EME Personnel
- 4-4 An Infantry Battalion
- 4-5 An Armoured Regiment
- 4-6 An Armoured Reconnaissance Regiment
- 4-7 A Medium Close Support Regiment
- 4-8 An Anti-Armour Battalion
- 4-9 A Field Engineer Regiment
  
- 4-10 A Headquarters and Signals Regiment
- 4-11 An Observation Squadron
- 4-12 A DISGP Service Battalion
- 4-13 A Brigade Group Service Battalion
  
- 4-14 Field Ambulance
- 4-15 A Military Police Company

- 5-1 Maintenance Company of a DISGP Service Battalion
- 5-2 Typical Deployment of an FLG
- 5-3 A Brigade Group Service Battalion Maintenance Company
- 5-4 DISGP Maintenance Battalion Organization
- 5-5 The Brigade Administration Staff
- 5-6 The Division Administration Staff (Div Rear)
- 5-7 Organization of a DISGP Headquarters
- 6-1 A COSCOM Maintenance Brigade
- 6-2 Maintenance Brigade Headquarters
- 6-3 A COSCOM Heavy Workshop Battalion
- 6-4 A COSCOM Medium Workshop Battalion
- 6-5 A COSCOM Recovery Battalion
- 6-6 A COSCOM Engineering and Technical Training Battalion
- 6-7 The Corps Headquarters EME Staff
- 7-1 A Typical Layout of a DISGP Service Battalion Maintenance Company
- 7-2 A Typical Layout of an MRG of a Brigade Group Service Battalion Maintenance Company
- 7-3 A Typical Layout of a DISGP Maintenance Battalion
- 7-4 A Typical Layout of a COSCOM Maintenance Brigade

**CHAPTER 1**  
**INTRODUCTION**  
**SECTION 1**  
**GENERAL**

**INTRODUCTION**

1. Armies, from the time of the Roman Empire, have recognized the requirement to have dedicated personnel to repair equipment. The introduction, through the years, of more sophisticated and complex equipment has resulted in a need for highly trained maintenance specialists.
2. During the Second World War a specialist corps, The Royal Canadian Electrical and Mechanical Engineers (RCEME), was created on 15 May 1944. The corps, was subsequently replaced by the Land Ordnance Engineering (LORE) Branch and is now the Land Electrical and Mechanical Engineering (LEME) Branch. The EME system has evolved to satisfy the increasingly complex needs of those it supports. A more detailed history of the LEME Branch can be found in B-GL-314-001/AF-001 The Electrical and Mechanical Engineering System.
3. The line and staff components of the EME System are manned primarily by officers and noncommissioned members (NCM) of the LEME Branch. Personnel of other branches, notably the Communications and Electronic Engineering (CELE) and Logistics (LOG) Branches, also contribute to the operation of the EME system.

## **SECTION 2**

### **ROLE AND TASKS OF THE EME SYSTEM**

#### **ROLE OF THE EME SYSTEM**

4. The role of the EME System in battle is to ensure the operational readiness of all combat arms, combat support arms, and combat service support equipment.

#### **TASKS AND SCOPE OF THE EME SYSTEM**

5. This manual describes the principles of operation, the organization, and the systems and procedures used by maintenance organizations in the corps. The doctrine in this manual can be interpreted to apply to all types of military activities except for aviation, medical, and telecommunications maintenance (cryptographic and teletype equipment only) which are covered by their respective branch affiliations.

6. EME organizations are responsible for the repair, servicing, recovery, inspection, modification, cannibalization, robbing, overhaul, reclamation, calibration, engineering, scaling, and denial of equipment as required to all army equipment.

7. LEME personnel are members of all units on the battlefield and must be prepared to carry out their duties under the most adverse conditions including enemy fire, nuclear, biological and chemical (NBC) environments and extreme climatic conditions.

## SECTION 3

### MAINTENANCE

#### LEVELS OF MAINTENANCE

8. The level of maintenance is a measure of the maintenance and engineering content in a task. Tasks are classified into four levels to guide users of the EME System as to the extent of work that should be performed by organizations in the four lines. The highest level is where the work to be completed requires extensive maintenance and engineering resources. The levels of maintenance are defined as follows:

- a. **Level One.** Level one is responsible for preventive maintenance and servicing, preliminary diagnosis of faults, and corrective maintenance tasks of a minor nature.
- b. **Level Two.** Level two is responsible for corrective maintenance by repair or replacement of parts and assemblies.
- c. **Level Three.** Level three is responsible for reconditioning of assemblies such as engines, drive trains, guns, electrical/electronic assemblies, and calibration of mechanical test and diagnostic equipment. This may involve the use of a production line, special test equipment, and limited manufacture.
- d. **Level Four.** Level four is responsible for the complete overhaul of equipment. This level includes complete fabrication or manufacture to design specifications. The work performed at this level includes: return to original specifications; retrofit; mid-life improvement; extension, and reclamation. This level also includes production line capability, and the use of specialist test and manufacturing equipment. It normally requires a permanent facility such as is provided for a workshop depot or a manufacturer.

#### LINES OF MAINTENANCE

9. A line of maintenance comprises two main aspects. One is the operational need to provide immediate maintenance support to the operator, and the other is the extent of maintenance and engineering resources required during the life-cycle usage of the equipment. The most immediate source of maintenance support (first line) is aimed at returning unserviceable equipment to the operator as quickly as possible. Its extent is a carefully considered compromise between the capability of performing maintenance in a tactical environment and the factors which surround the level of maintenance. Working rearward, maintenance support is progressively provided by better equipped, and more sophisticated static lines. The four lines of maintenance are:



- a. **First Line.** This is the maintenance organization to which the equipment operator turns for support. First line organizations principally perform level one maintenance and may also be assigned responsibility for level-two maintenance for selected minor assemblies and components. First line comprises both operator and technician functions. Most major units have either an integral maintenance platoon or troop to carry out first-line maintenance of their equipment.
- b. **Second Line.** This is the second maintenance organization to which the operator turns for support for level-two maintenance. The second line may also be assigned selected level-three maintenance functions. As with the first line, this organization is structured to enable it to restore equipment to serviceability in the shortest time possible, and to function as far forward as tactically and technically feasible. The second line acts as a back-up to the first line and provides level-one maintenance services to supported units lacking maintenance self-sufficiency.
- c. **Third Line.** The third line maintenance organization is a back-up to the second line. It performs level two and level three maintenance. While the second line is mainly limited by time, the third line is limited by maintenance resources. Third line maintenance organizations also provide level one maintenance services to units lacking maintenance self-sufficiency.
- d. **Fourth Line.** A fourth line maintenance organization performs level-four maintenance and level-three maintenance tasks which cannot be carried out by second or third line EME organizations. This is the last maintenance organization in the EME system and as such provides a back-up to the other lines. It also provides engineering services. Fourth line organizations include EME workshop depots, manufacturers, and civilian contractors.

## **RELATIONSHIP OF LINE TO LEVELS OF MAINTENANCE**

10. Figure 1-1 shows the relationship between lines and levels of maintenance within the EME system. Further comments on the applications of the lines and levels of maintenance can be found throughout the manual.

<b>Line Échelon</b>	<b>Capabilities Moyens</b>	<b>Organization Organisation</b>	<b>Characteristics Caractéristiques</b>
First Line  Premier échelon	Level one and limited level two maintenance.  Maintenance de niveau un et maintenance limitée de niveau deux.	Integral maintenance section, platoon, or troop.  Section, peloton ou troupe interne de maintenance.	Organizations are light and mobile.  Les organismes sont légers et mobiles.
Second Line  Deuxième échelon	Level one, two and limited level three maintenance.  Maintenance de niveau un, de niveau deux et maintenance limitée de niveau trois.	Maintenance Company of a Brigade Service Battalion or Maintenance Battalion of a Division Services Group (DISGP).  Compagnie de maintenance d'un bataillon des services de brigade ou bataillon de maintenance d'un groupe des services divisionnaires (GSD).	Organizations are mobile and are limited mainly by time available to complete maintenance tasks.  Les organismes sont mobiles et limités surtout par le temps dont ils disposent pour exécuter leurs tâches.

Figure 1-1 (Sheet 1 of 2) Lines and Levels of Maintenance

<b>Line Échelon</b>	<b>Capabilities Moyens</b>	<b>Organization Organisation</b>	<b>Characteristics Caractéristiques</b>
Third Line  Troisième échelon	Levels two and three maintenance.  Maintenance des niveaux deux et trois.	A Maintenance Brigade in a Corps Services Command (COSCOM).  Une brigade de maintenance dans un Commandement de soutien du corps d'armée (COSCA).	Maintenance brigades have limited mobility and are less limited by the time available to complete tasks. The major constraint is maintenance resources available.  Les brigades de maintenance ont une mobilité restreinte mais disposent de plus de temps pour effectuer leur travail. Elles sont limitées surtout par le manque de ressources à leur disposition.
Fourth Line  Quatrième échelon	Level four maintenance and any overflow of level three maintenance.  Maintenance de quatrième niveau et tout surplus de maintenance de troisième niveau.	These maintenance organizations include large maintenance workshop depots, manufacturers and civilian contractors. They are generally found behind the Corps Rear Boundary.  Les gros dépôts d'ateliers, les fabricants et les entrepreneurs civils font partie des organismes de maintenance. Ils se trouvent généralement à l'arrière de la limite arrière du corps.	Workshop depots are static and have full manufacturing and production line capabilities.  Les dépôt d'ateliers sont fixes et bénéficient de tous les avantages qu'offrent les installations de fabrication et les chaînes de production.

Figure 1-1 (Sheet 2 of 2) Lines and Levels of Maintenance

## SECTION 4

### PRINCIPLES OF EME OPERATION

#### INTRODUCTION

11. Over the years the EME System has evolved to the point where a number of maxims have come into common use:

- a. repairs should be carried out as close as possible to the equipment casualty in order to minimize downtime;
- b. recovery and backloading of equipment is an EME System responsibility;
- c. the technical control is vested in the senior EME commander;
- d. the preventive maintenance programme is essential to ensure maximum operational capability of the equipment;
- e. higher lines of maintenance shall assist subordinate lines to the maximum extent possible;
- f. a lower line of maintenance may be authorized to carry out higher line of maintenance tasks;
- g. all EME members must understand the intended operational function of the equipment they repair;
- h. scaling of repair parts is an EME System responsibility;
- j. the EME System shall be capable of maintaining all assigned operational equipment; and
- k. the provision of effective support requires sound management, which in turn requires timely and accurate information.

12. The EME System is one component of the Combat Service Support System which supports the conduct of army operations. B-GL-314-001/AF-001, Electrical Mechanical System, is a keystone manual which gives an overview of the total EME System. It outlines the following principles of administration all of which apply to the EME System:

## **FORESIGHT**

13. In almost any endeavour foresight contributes more to success than any other factor, and in no other area is this more certain than in electrical and mechanical engineering planning and control. Careful analysis of forthcoming activities and intimate knowledge of the equipment and its condition are essential if a sound workable plan is to be prepared. Nothing disrupts maintenance effort, wastes more time, and reduces efficiency as much as having to react to unexpected emergencies. Foresight based on knowledge and experience can reduce emergencies to a minimum and thus enable maintenance workers to concentrate on planned or expected jobs. Foresight in providing a reasonable reserve to cope with emergencies will reduce the disruption they cause to a minimum.

14. Foresight on the part of the electrical and mechanical engineers can only be exercised on the basis of early information. Operational staff must bring the technical staff into the planning process at the earliest opportunity, preferably in the conceptual stage. Unless this is done, operational staff run the risk of having a mission aborted through lack of equipment, or conversely, demanding effort from the electrical and mechanical engineering organization which in turn causes waste and subsequent degradation of current or future operational missions.

## **FLEXIBILITY**

15. War is uncertain; its conduct varies; its outcome is never definite. Situations and methods change with unpredictable rapidity, to the extent that on the battlefield, change and variation come to be looked upon as the norm. Dominating this fluid environment demands flexibility on the part of the individual and the organization. An inflexible individual cannot exercise the imagination necessary to produce novel solutions to meet the unexpected, and an inflexible organization is incapable of adapting to meet unique situations.

16. Foresight and control are necessary to attain flexibility. The former to reduce the circumstances requiring unplanned responses to a manageable level; the latter so that plans can be changed rapidly as a situation dictates. Ultimately, however, execution of any new plan depends upon the capacity of the organization to regroup and realign itself and the ability of the individual to meet new situations with unconventional responses.

17. Organizations must have the communications and the mobility necessary to effect the major changes that frequently result from apparently minor alterations to an operational plan. A spirit of co-operation must be instinctive to implement changes without loss of efficiency.

## **CO-ORDINATION**

18. Co-ordination is one aspect of command, and generally follows command channels. Co-ordination must be a part of the planning and directing functions of command, and be exercised by the commander and his staff.

19. The range of equipment for which the Electrical and Mechanical Engineering System is responsible, and the distribution and the use of this equipment, dictate the need for the large

number of maintenance and engineering units, sub-units, detachments, and elements that form the System. To manage the resources of the Electrical and Mechanical Engineering System efficiently, it is mandatory that maintenance and engineering activities be coordinated at the highest level possible. To exploit the facilities of the System effectively, the co-ordination function must be vested in the LEME officers of the electrical and mechanical engineering staffs at each level. Instructions from the technical authorities require implementation, but the authority of the commander is overriding. To manage the elements of the System effectively requires strong adherence to the principle of co-ordination.

## **CO-OPERATION**

20. To achieve the aim of the Electrical and Mechanical Engineering System requires close liaison and co-operation with all users of the System. The diversified range of equipment and units supported by the System, demands that all LEME officers liaise closely with the organization they support to ensure that the services of the Electrical and Mechanical Engineering System are being used, and are giving satisfaction. Additionally all personnel in the System must be kept informed so that they can contribute their best to the collective maintenance and engineering effort.

21. Associations developed through personal contacts, continuous proximity, and shared facilities all tend to reduce friction and improve co-operation. Units and sub-units that are familiar with one another's methods are, through foresight and anticipation, often able to prevent maintenance problems from developing. Confidence built on contact experience eliminates many concerns that might otherwise arise.

22. Co-operation is similar to co-ordination in many respects except that it need not follow command channels. Indeed, co-operation is often necessary if coordination is inadvertently omitted in plans or orders.

## **ECONOMY**

23. Economy entails employment of sufficient resources and effort to achieve the aim without unnecessary waste. The objective is to calculate in advance, the exact resources to accomplish the required results. Economy ensures that the most that is possible is achieved from the resources allocated - an eminently desirable result in both peace and war.

24. Economy requires a detailed knowledge of the probable requirements and perceptive judgements needed to select options to produce the best results with neither wastefulness nor false economy. True economy is achieved with mission success, using all the resources allocated and having an adequate reserve.

## **STABILITY**

25. The requirement for stability is inherent in the role of the electrical and mechanical engineering organization. It is axiomatic that maintenance cannot be carried out without some degree of stability. The degree of stability allowable at various echelons governs the amount of maintenance that can be carried out and consequently has an overriding effect on the whole organization and the method of operation.

26. Organizational stability is a means of increasing production. Stability, both physical and organizational, is a relative term and must be related to the unit or formation being supported. The corollary also applies, that supporting electrical and mechanical engineering organizations must have the same inherent flexibility and mobility as the unit or formation being supported.

## **SIMPLICITY**

27. The advantages of simple plans and orders are obvious to anyone who has to carry them out. They can be easily understood and are more likely to succeed. In mastering complex engineering subjects, it is possible to lose sight of this governing military principle. The preparation of solutions to military problems must always use this principle to grasp the essentials of a situation. Simplicity is achieved by developing clear, well understood principles, SOPs, and drills which are practised as a matter of daily routine.

## **PROTECTION**

28. LEME personnel are required to achieve full military qualifications and to participate in all aspects of army field service. Organizations of the Electrical and Mechanical Engineering System must be capable of self-protection in the field. However, the Electrical and Mechanical Engineering System cannot perform its function of ensuring the operational fitness of land force equipment while those dedicated to it are busy protecting themselves from enemy aggression. Therefore, commanders must provide, through the application of the principles of foresight and co-ordination, an environment of safe working conditions relative to the priority given to equipment serviceability.

## **SELF-SUFFICIENCY**

29. The fundamentals of self-sufficiency require that a formation has at its disposal all of the combat, combat support, and combat service support required to complete its mission. Three factors reinforce the need for self-sufficiency:

- a. large consumption rates of ammunition, commodities, and equipment on the modern battlefield;
- b. the rapid rates at which formations are capable of moving; and
- c. the delay in re-supply resulting from a and b.

30. Self-sufficiency applies to EME organizations at all levels, whether a mobile repair team (MRT) departing on a tasking, a recovery platoon tasked with clearing a backloading point (BLP), or a maintenance company placed in support of a brigade.

## CHAPTER 2

### THE EME SYSTEM

#### SECTION 1

#### INTRODUCTION

##### GENERAL

1. Although the maintenance functions which are completed in the Communications Zone (COMM Z) will be discussed briefly, this manual emphasizes those functions which normally occur within the Combat Zone (CZ).

##### THE BATTLEFIELD

2. The corps is the principal combat formation of the army. For this reason Maintenance in Battle describes the operation of the EME System within the context of a Canadian corps.

3. Figure 2-1 shows a typical area of operations divided into a CZ and a COMM Z. The COMM Z is located behind the corps rear boundary and includes the large administrative facilities required to support the corps. The CZ is that area forward of the corps rear boundary and contains only the materiel and personnel needed to sustain the battle. As this manual is limited to discussing EME matters at the corps level, only the area forward of the corps rear boundary will be examined.

4. The corps is divided as shown in Figure 2-2. Each corps is composed of a variable number of divisions (generally three) each of which is composed of a number of brigades (generally three).

##### FORMATIONS

5. **The Corps.** The corps is the principal combat formation in an area of operation and is structured as required with a variable number of armoured and infantry divisions and corps troops consisting of other combat, combat support, and combat service support formations and units. A corps consists of from two to five divisions, but normally has three. The organization of a typical corps is shown in Figure 2-3.



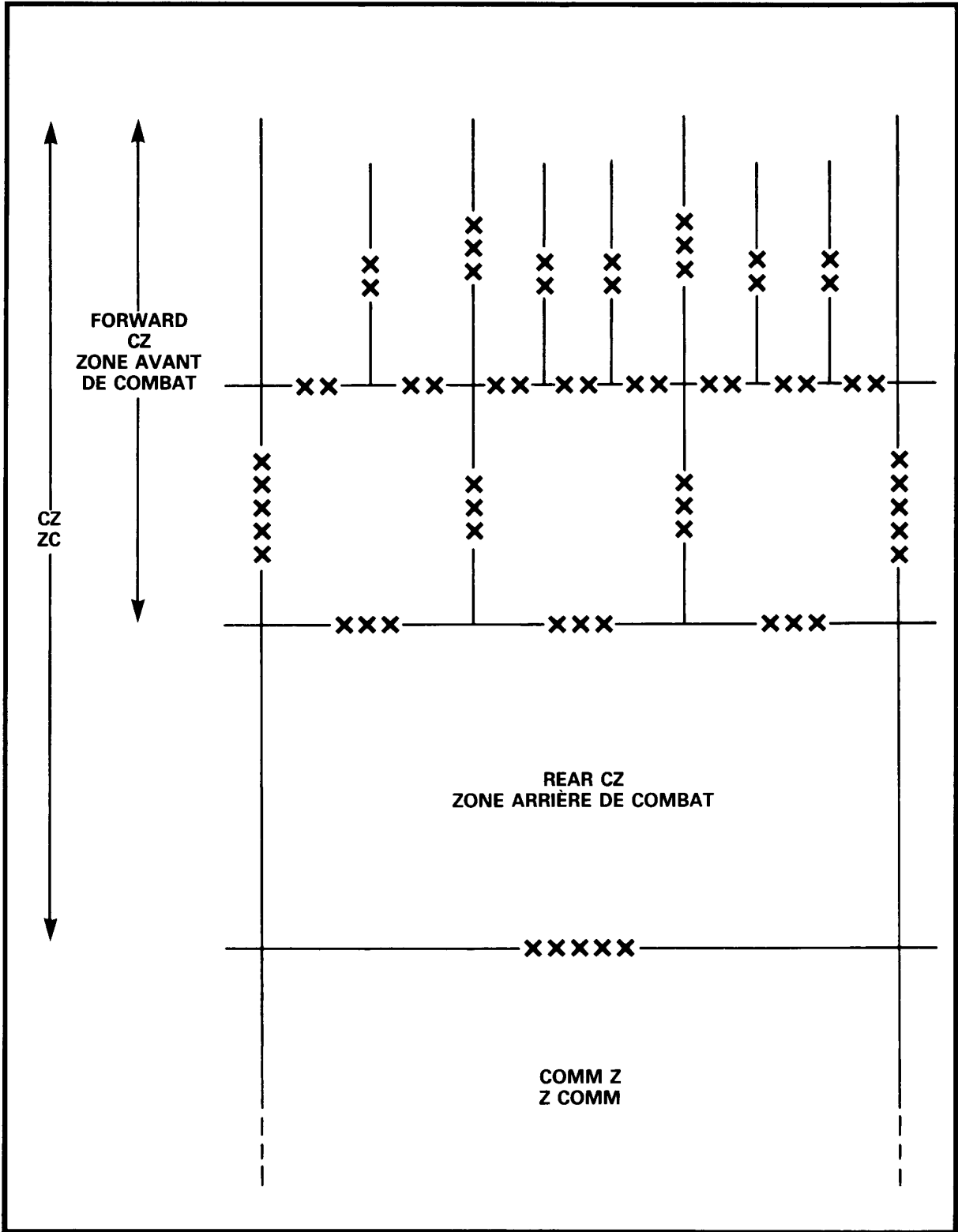


Figure 2-1 Territorial Organization of an Area of Operations

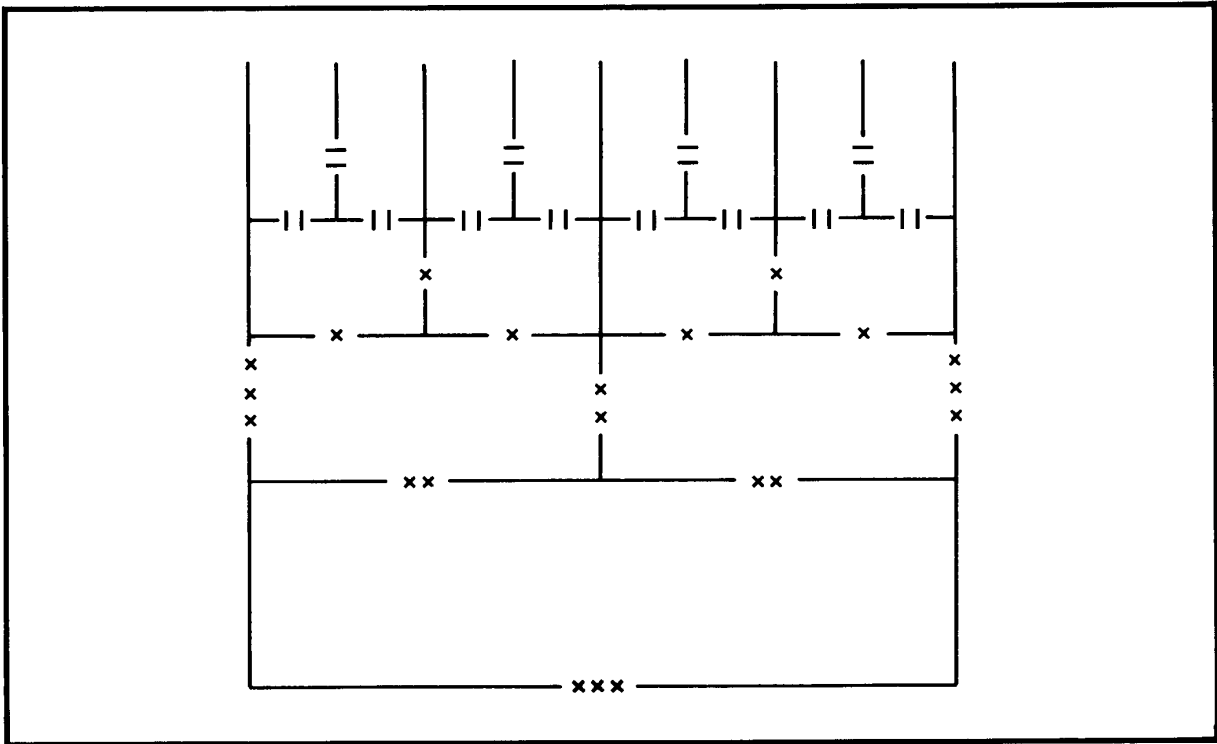


Figure 2-2 The Corps Area

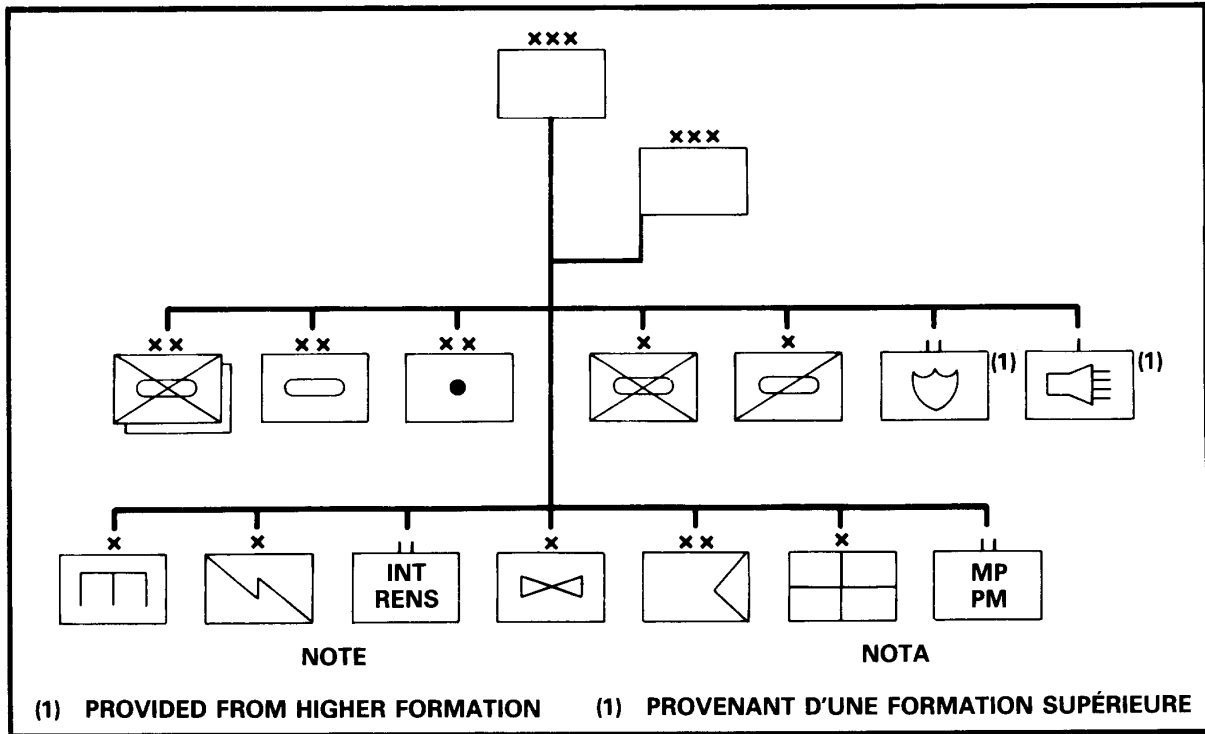


Figure 2-3 A Typical Corps

6. **The Division.** A division is usually comprised of three brigades, and division troops consisting of combat, combat support, and combat service support formations and units. A mechanized division has three mechanized brigades, and an armoured division has two armoured brigades and a mechanized brigade. The divisional troops include reconnaissance, engineer, artillery, anti-armour, signals, intelligence, logistics, medical, military police, and attached tactical aviation units. Figures 2-4 and 2-5 show the organization of mechanized and armoured divisions.

7. **The Brigade.** The brigade is the lowest level fighting formation. It is comprised of a reconnaissance squadron, a headquarters and signals squadron, armoured regiments and infantry battalions. A mechanized brigade has three mechanized infantry battalions and an armoured regiment, while an armoured brigade has three armoured regiments and a mechanized infantry battalion. Figures 2-6 and 2-7 show the organization of mechanized and armoured brigades.

## **EME LINE ORGANIZATIONS**

8. First line maintenance platoons, troops, or sections are found within most units in a corps. The maintenance platoon, troop, or section has the necessary resources to provide first line maintenance support to the unit during combat operations. The unit first line maintenance platoon commander also provides the commanding officer with the technical advice when required. Chapter 4 discusses EME support provided at unit level.

9. Second line maintenance organizations are found within division and corps level combat service support formations and within independent brigade groups, as follows:

- a. Within each division there is a division service group (DISGP) which has a maintenance battalion (Maint Bn) and three service battalions (DISGP Svc Bns) each of which have a maintenance company (Maint Coy). Figure 2-8 shows the organization of a DISGP.
- b. At the corps level second line maintenance to corps troops lacking integral second line support is the responsibility of the Corps Service Command (COSCOM) maintenance brigade (Maint Bde).

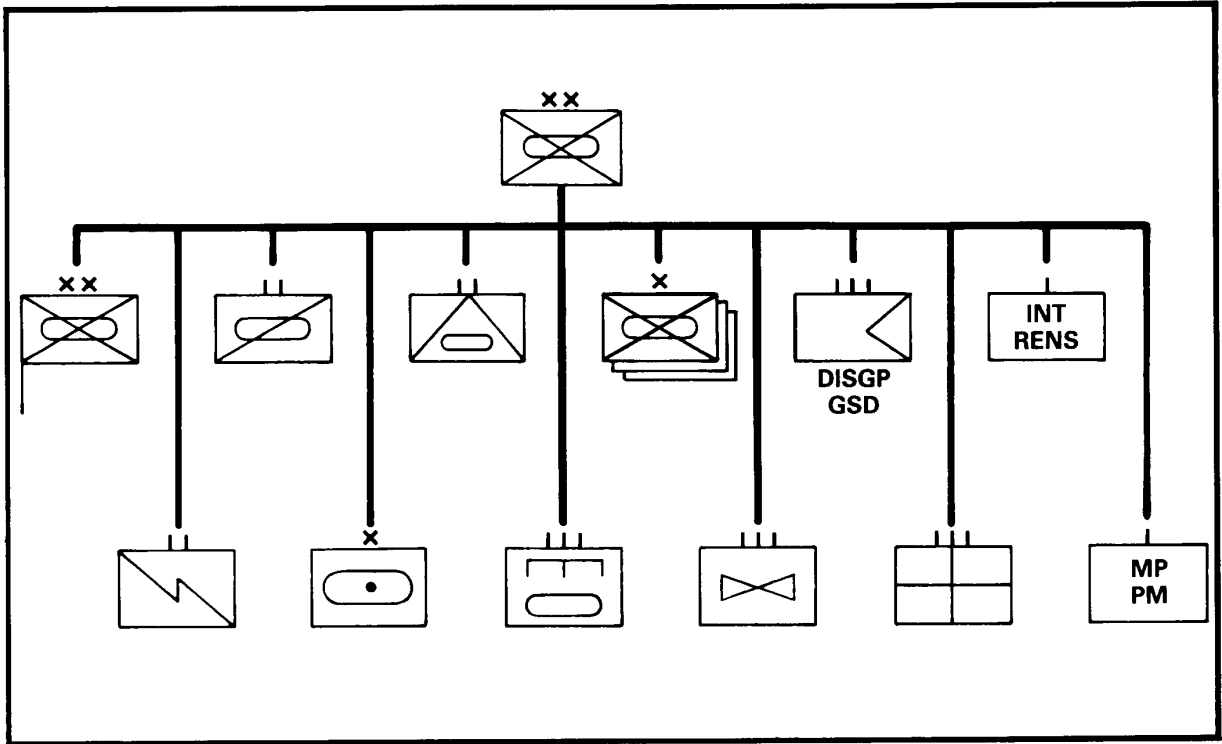


Figure 2-4 The Mechanized Division

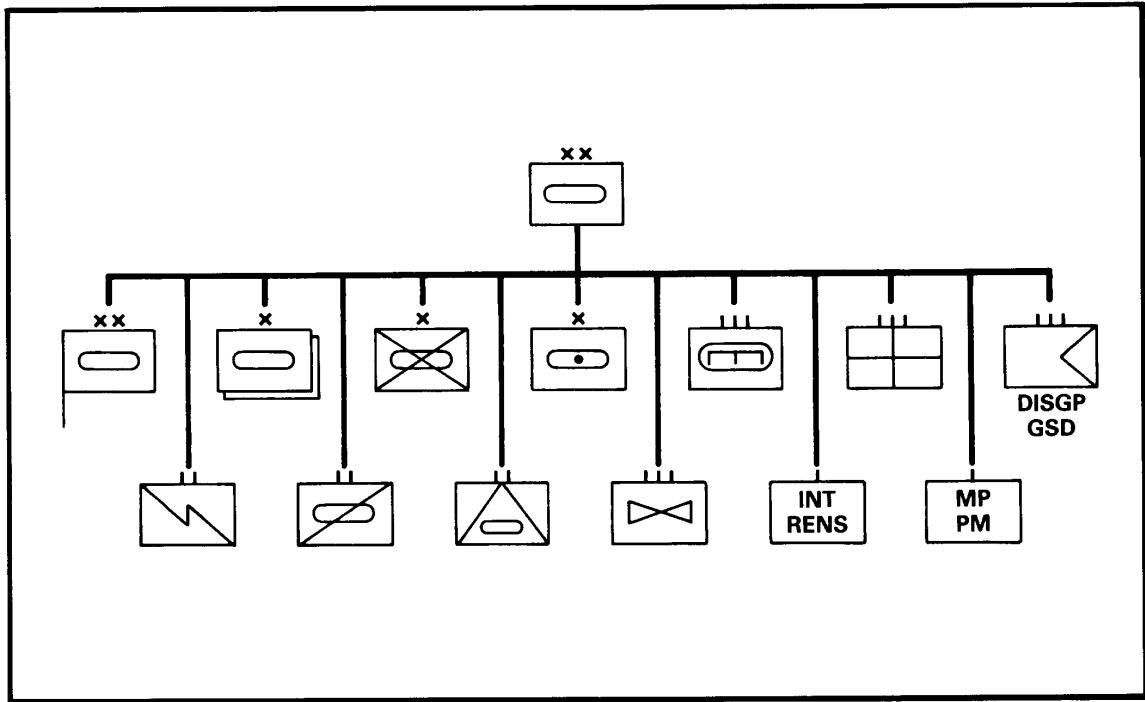


Figure 2-5 The Armoured Division

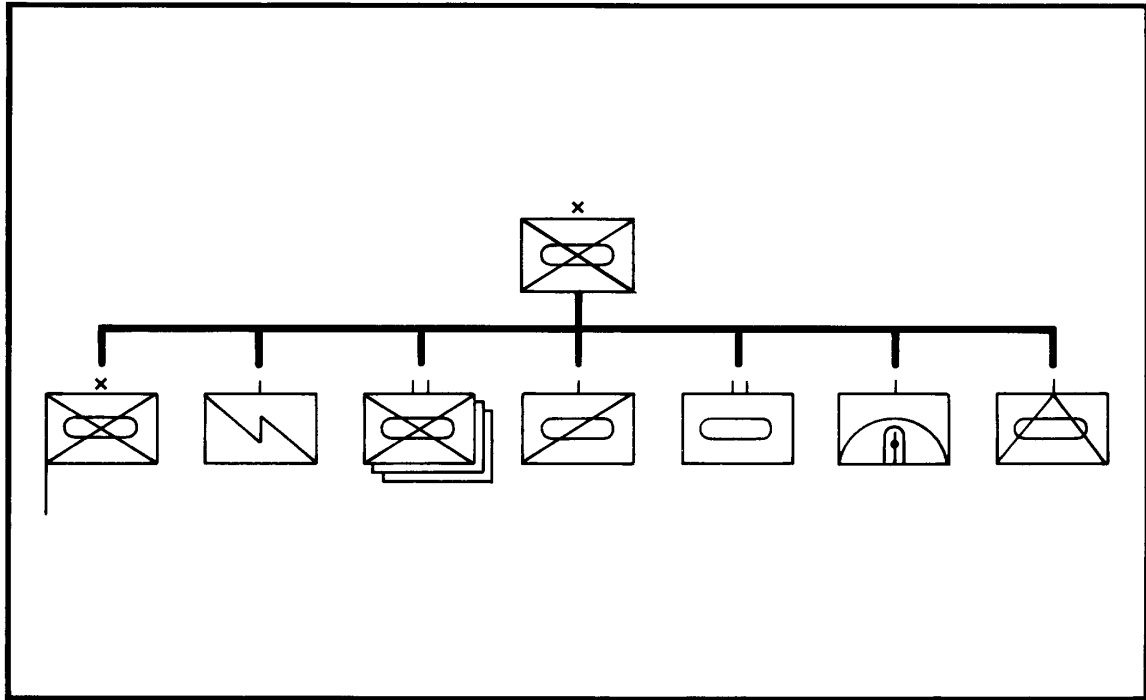


Figure 2-6 The Mechanized Brigade

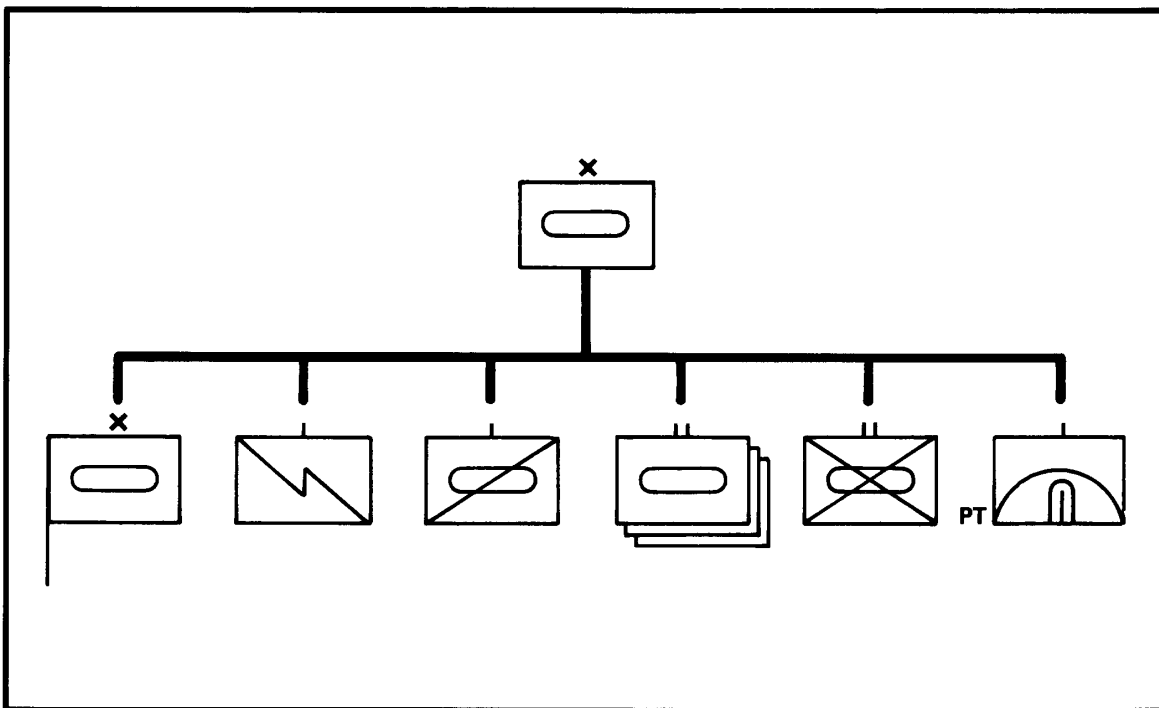


Figure 2-7 The Armoured Brigade

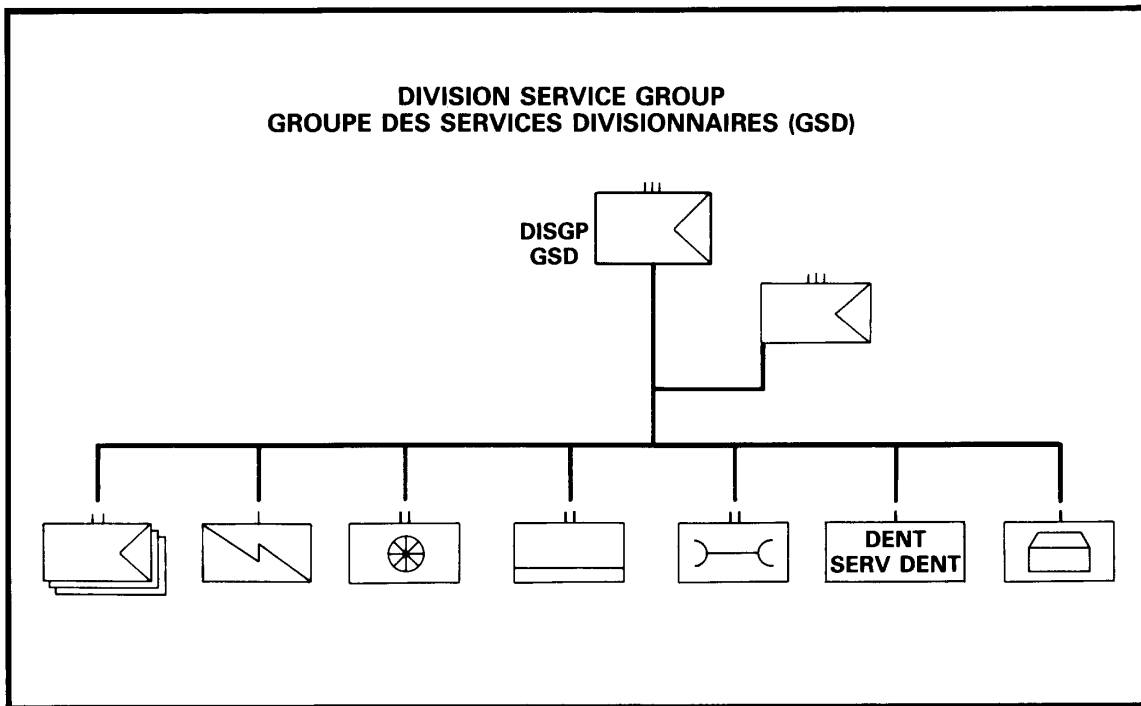


Figure 2-8 Division Services Group (DISGP) Organization

- c. In an independent brigade group (Bde Gp) there is a service battalion (Svc Bn) which contains a Maint Coy.
10. Second line maintenance support operations are discussed in Chapter 5.
  11. Third line maintenance within a corps is the responsibility of the COSCOM Maint Bde. Third line maintenance support operations are discussed in Chapter 6.
  12. Fourth line maintenance resources are found behind the corps rear boundary and are not discussed further in this manual.

### **THE EME STAFF ORGANIZATIONS**

13. At the brigade level the commander has a small staff to deal with EME matters. This staff consists of a LEME captain, as the G4 Maint and a number of senior technicians. The functions of the brigade G4 Maint staff are discussed in Chapter 5.
14. The division headquarters maintenance staff is headed by a LEME major, the G4 Maint. Chapter 5 discusses the functions and operations of this staff.
15. The corps headquarters has a G4 Maint as well and a fairly large staff. The G4 Maint is a LEME lieutenant-colonel and the functions of his organization are included in Chapter 6.

## **SECTION 2**

### **TECHNICAL CONTROL**

#### **INTRODUCTION**

16. The technical chain of control permits the passing of technical direction and the resolution of technical problems on behalf of the operational commander by LEME personnel. It generally parallels the chain of command.

17. Figure 2-9 depicts the technical chain of control within a corps. Note that the maintenance staff at each headquarters have direct access to the commanders of maintenance formations and units for technical discussion and advice.

## **SECTION 3**

### **EME OPERATIONS**

#### **INTRODUCTION**

18. This section develops the method by which the EME operations are done, outlining the equipment casualty classifications and method of movement from one EME organization to another. The section concludes by defining and explaining the various activities included in the maintenance of equipment.

#### **EQUIPMENT CASUALTY CLASSIFICATION**

19. Within the EME a classification system has been developed to identify the maintenance required on a piece of equipment. The equipment casualty classifications are:

- a. S - serviceable. The equipment is available for immediate use;



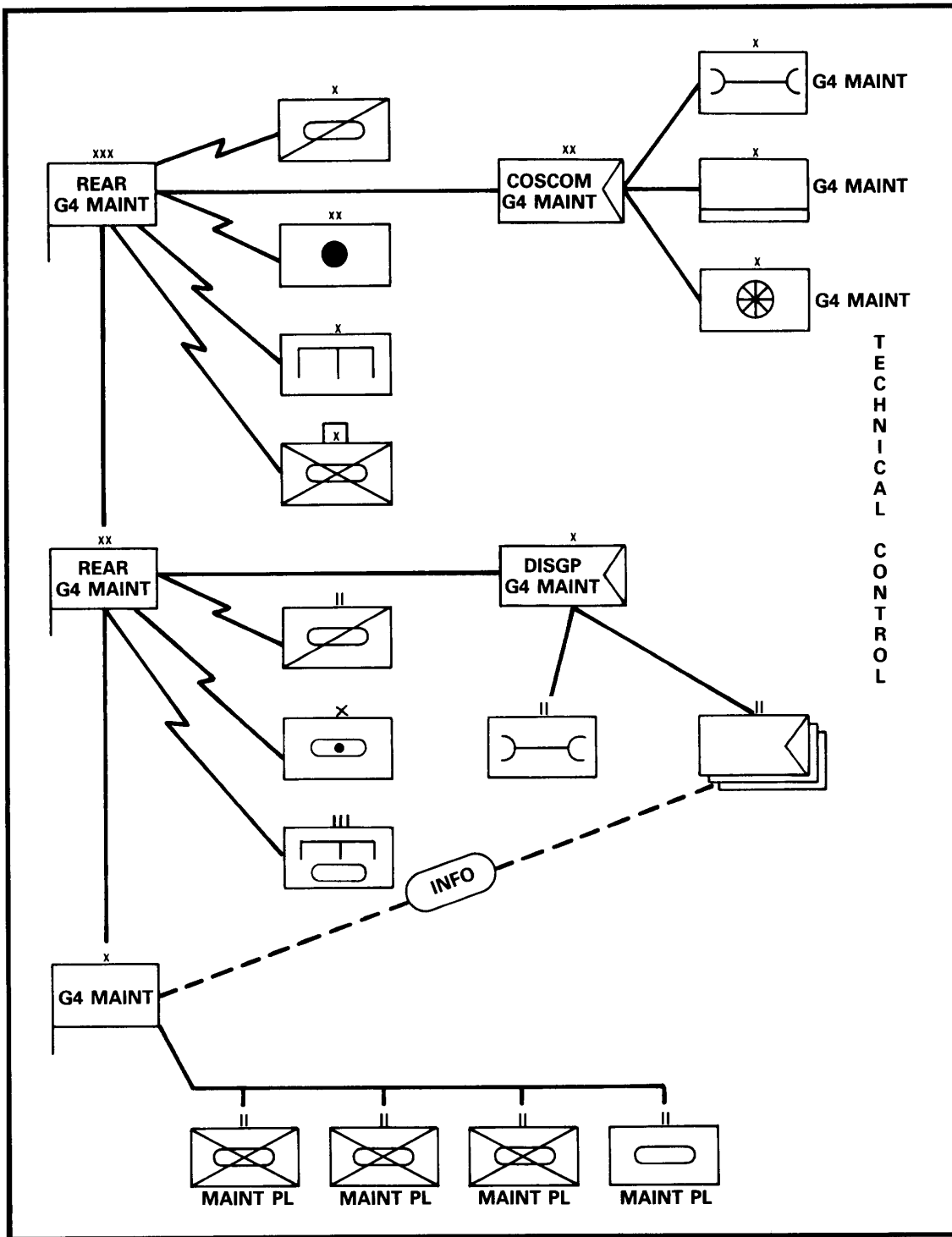


Figure 2-9 The Technical Chain of Control

- b. X - requires maintenance by a first line organization;
- c. Y1 - requires maintenance by a second line organization;
- d. Y2 - requires maintenance by a third line organization;
- e. Z - requires maintenance by a fourth line organization;
- f. BLR - beyond local repair due to a lack of repair parts, tools, or other resources, or due to a lack of time;
- g. BER - beyond economical repair under current conditions. This will include items for which movement costs in terms of time and resources required would be excessive; and
- h. BR - beyond repair.

20. This classification system is used to identify the nature of maintenance work needed at the time a piece of equipment is brought to a maintenance organization. It facilitates directing equipment to the proper organization for the required EME services. This ensures that the equipment is moved directly to the maintenance organization and, as a result, is returned to service as quickly as possible.

### **MOVEMENT OF EQUIPMENT CASUALTIES**

21. Once it has been determined that a piece of equipment cannot be returned to service by the maintenance organization, it must be moved to the next level maintenance organization capable of completing the required repairs. The manner in which this is done depends on the nature of the equipment.

22. Vehicles and major equipment are moved from one EME organization to the next higher level organization using EME resources. For example, once a first-line maintenance organization determines that a particular equipment casualty is beyond its capability for repair, the casualty will be moved to the supporting second-line maintenance organization. This process of either returning the piece of equipment to service or moving it to the next higher level supporting maintenance organization continues as far as the fourth-line. Once a piece of equipment is backloaded beyond second-line maintenance, the losing unit can order its replacement through the supply system. The methods used to control this movement of vehicle and major equipment casualties are discussed in Chapter 3.

23. Normally minor pieces of equipment and assemblies follow the supply chain. Once a piece of equipment, such as a weapon, radio, or vehicle assembly, is beyond the capabilities of the first-line maintenance platoon or troop it is turned over to the unit quartermaster. The quartermaster returns the damaged item to the supporting second-line maintenance organization. This system continues from any level to the next higher level supporting organization.

## **CHAPTER 3**

### **EME ORGANIZATIONS**

#### **SECTION 1**

#### **INTRODUCTION**

##### **GENERAL**

1. This chapter discusses the first, second, and third line EME organizations found within a Canadian corps. Section 1 discusses the organizational factors involved in the design of EME organizations. Section 2 discusses EME resources, and Section 3 concludes the chapter with a discussion of the battlefield recovery system.

##### **ADMINISTRATION AREAS**

2. The formation commander allocates terrain to his subordinate organizations. Generally, the combat arms are located furthest forward, combat support arms are spread throughout the area as needed, and combat service support organizations are located furthest to the rear. The areas allotted to combat service support organizations are called administration areas.

3. At the formation level, large areas are designated for the combat service support and other administration organizations. Within a brigade this area is called the Brigade Administration Area (BAA), at division level it is the Division Administration Area (DAA), and at corps level it is the Corps Administration Area (CAA). Figure 3-1 shows these formation administration areas.

4. Generally the maintenance organizations within the administration areas are:

- a. BAA - the DISGP Svc Bn Maint Coy or in an independent Bde Gp the Independent Bde Gp Svc Bn Maint Coy;
- b. FAA - Forward Logistic Group (FLG);
- c. DAA - the DISGP Maint Bn; and
- d. CAA - the COSCOM Maint Bde.

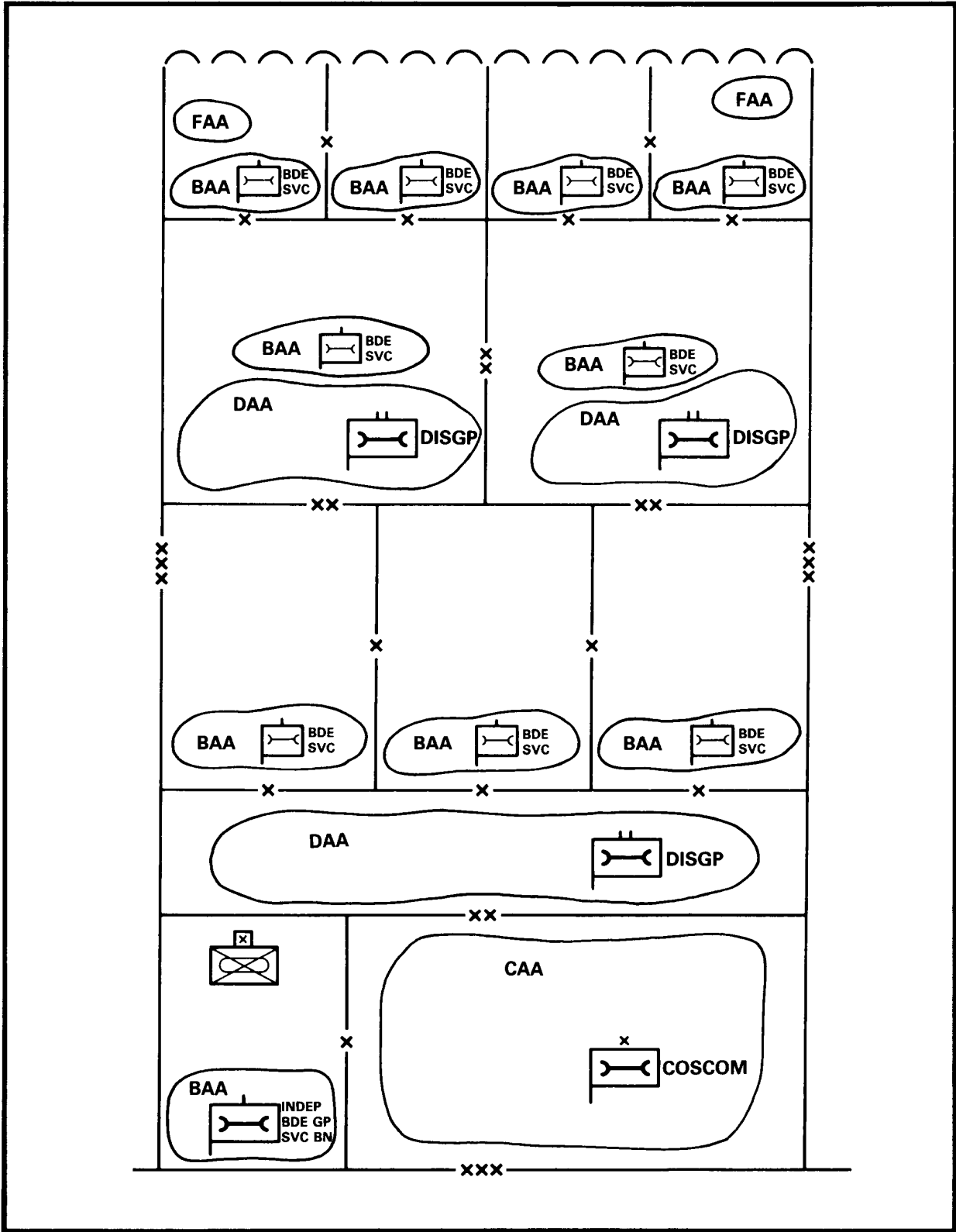


Figure 3-1 Formation Administration Areas Showing EME Organizations

## SECTION 2

### STRUCTURING OF EME UNITS

#### INTRODUCTION

5. EME organizations are structured to provide the appropriate level of maintenance to the supported units and formations. The challenge of supporting modern weapon systems with their complex fire control systems and all the ancillary equipment found in an army's inventory is met by skilled personnel working within the EME System and taking full advantage of the adaptability and flexibility of that system.

#### STRUCTURE

6. An EME organization must have the capability to perform the following functions:
  - a. **Command.** This function includes those activities necessary to direct the unit or formation towards accomplishing its mission and includes discipline, morale, etc.
  - b. **Planning and Control.** Planning is the forecasting and influencing of events in the future in order to complete the mission. Control includes all activities involved in monitoring a situation against a plan, and the adjustment of the situation or the plan as required. Planning and control are dependent upon each other and are considered to be a combined function. Control includes IN and OUT inspection.
  - c. **Technical Administration.** This includes all technical records, data gathering, and reporting necessary.
  - d. **Repair Parts Scaling.** This is the scaling of repair parts required for completion of repair tasks.
  - e. **Production.** This function is the provision of EME services to the equipments held by the supported unit or formation. It is the one function which justifies the existence of EME resources.
  - f. **Unit Administration.** This function includes all of the non-technical administrative matters which must be completed in support of the EME unit operations.
7. The six functions described above generally result in a standard EME organizational structure which groups similar functions. Figure 3-2 shows the standard structure.
8. The standard EME functional model is influenced by the following factors:

- a. the unit administrative services are provided for all members of the unit and are best controlled directly by the unit headquarters;
- b. the planning and control, technical administration, and repair parts' functions are mutually dependent and are best grouped together; and

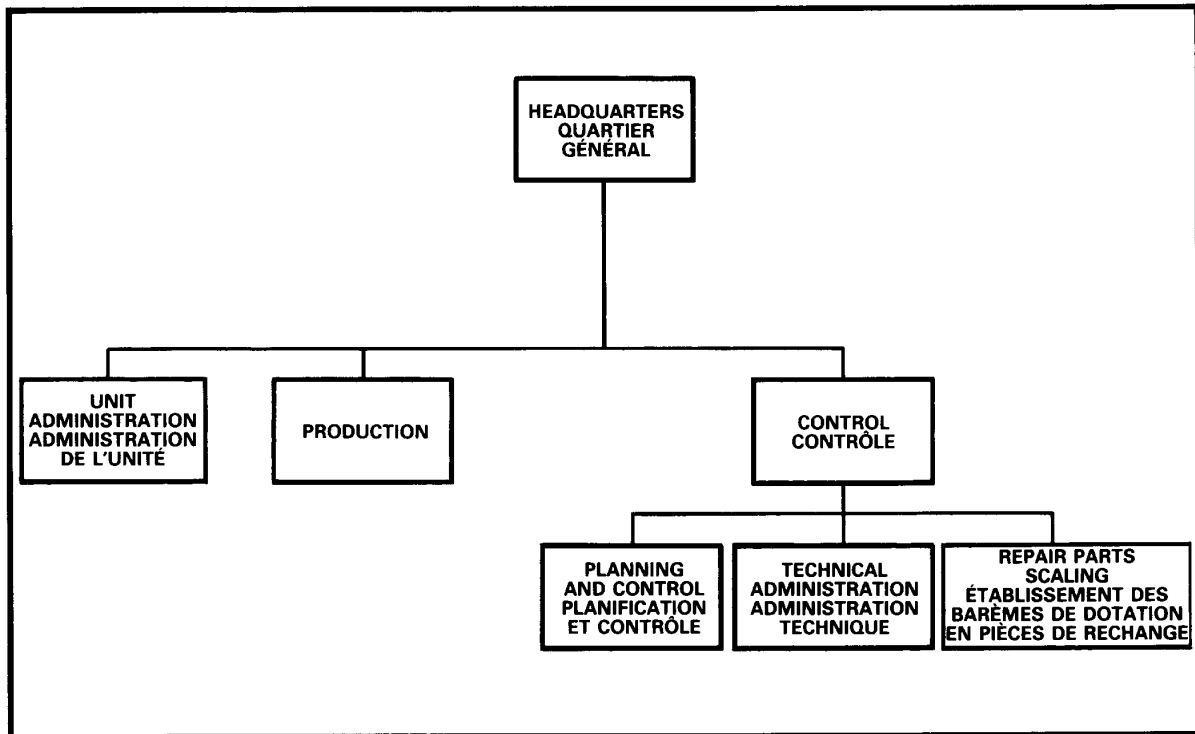


Figure 3-2 EME Functional Model

- c. the production function employs the majority of the manpower and equipment resources and is generally grouped by type of equipment supported.
9. The grouping of production resources normally results in maintenance elements with the following responsibilities:
  - a. **Vehicle Maintenance.** The large number of vehicles of all types found within units and formations results in a large requirement for vehicle maintenance support. Generally over 50 percent of EME manpower is dedicated to this support. Vehicle maintenance sub-units are normally further divided into wheeled vehicles, tracked vehicles and, if necessary, specialist vehicle support work centres.
  - b. **Recovery.** Limited recovery resources are provided within EME maintenance organizations.
  - c. **Ancillary Equipment Maintenance.** This organization is responsible for the provision of maintenance services to all other categories of equipment. Although there are six other equipment categories (weapon systems, optical, electronic, communications, radar and miscellaneous equipment) this organization is small in comparison to the vehicle maintenance resources. It is further divided into specialist work centres for fire control systems (which includes optical, electronics and radar), weapons, communications equipment, and materials. The materials function includes provision of welding, machinist, and other support services depending on the supported organization's needs.
10. The relative size of each of the elements shown in Figure 3-4 is dependent on the amount and type of equipment held by the supported unit or formation. Representative organizations are shown for an infantry battalion unit maintenance platoon, a DISGP Svc Bn Maint Coy, a DISGP Maint Bn, and a COSCOM Maint Bde at Figures 3-3 to 3-6. These organizations will be discussed in detail in Chapters 4 to 6.

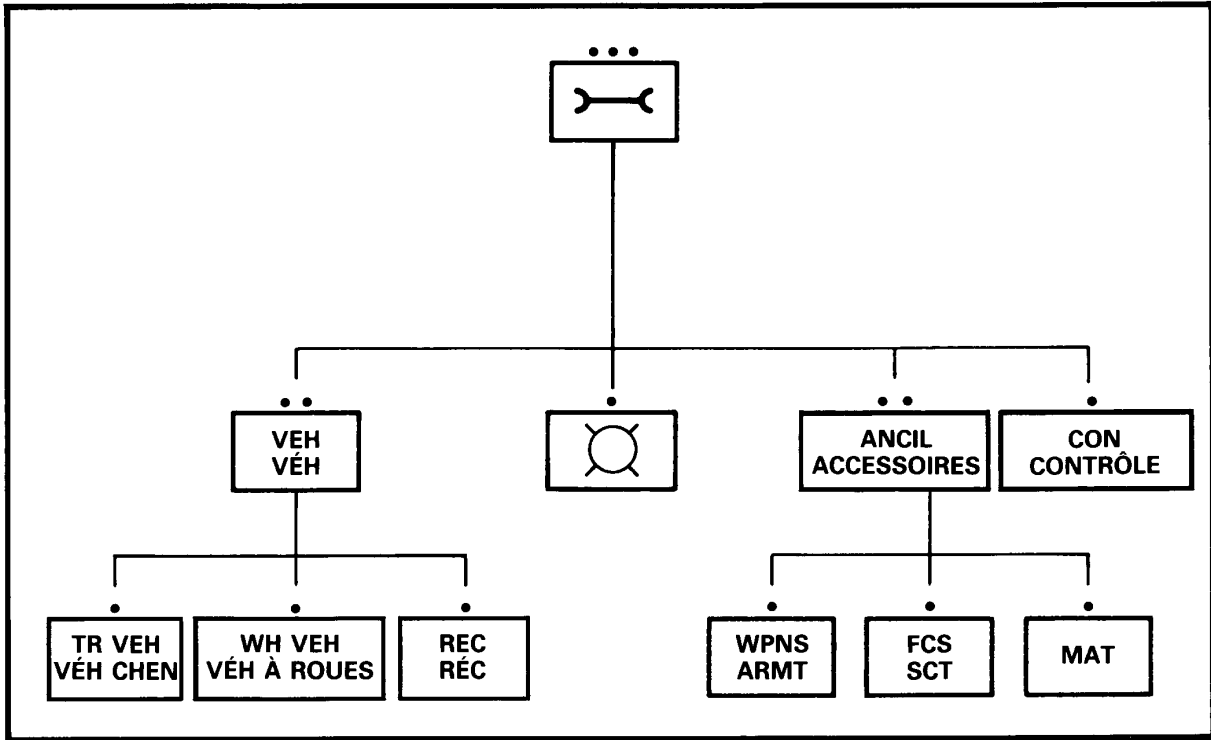


Figure 3-3 An Infantry Battalion Maintenance Platoon

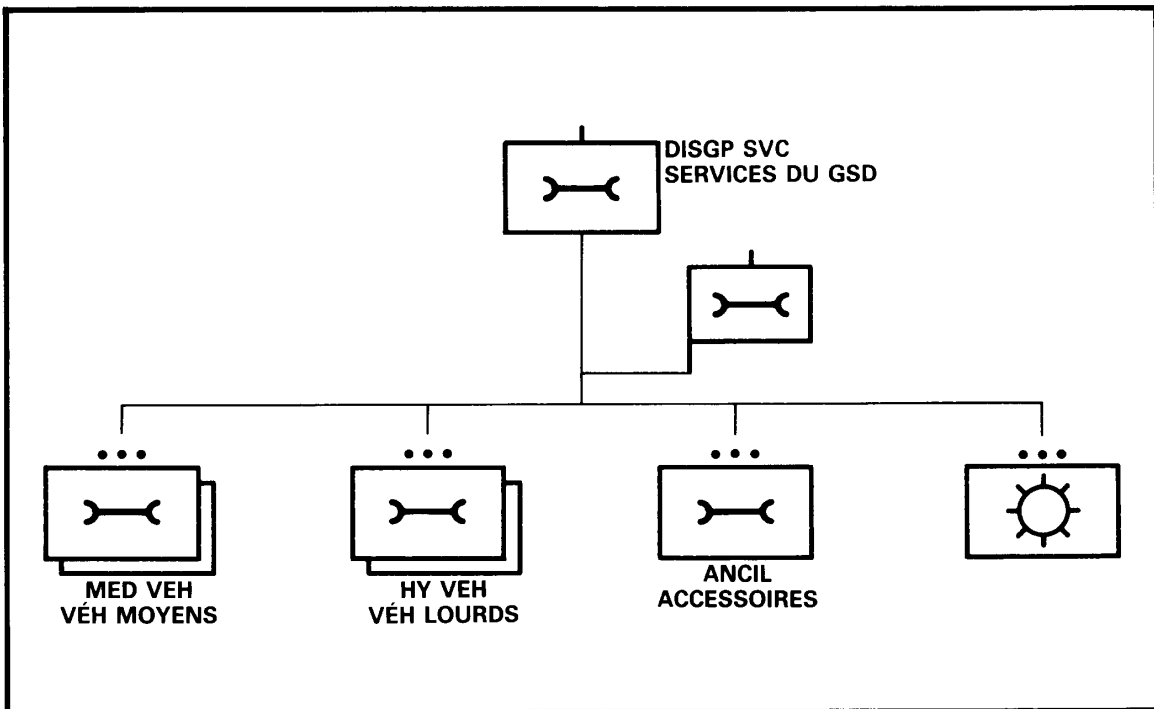


Figure 3-4 A DISGP Service Battalion Maintenance Company



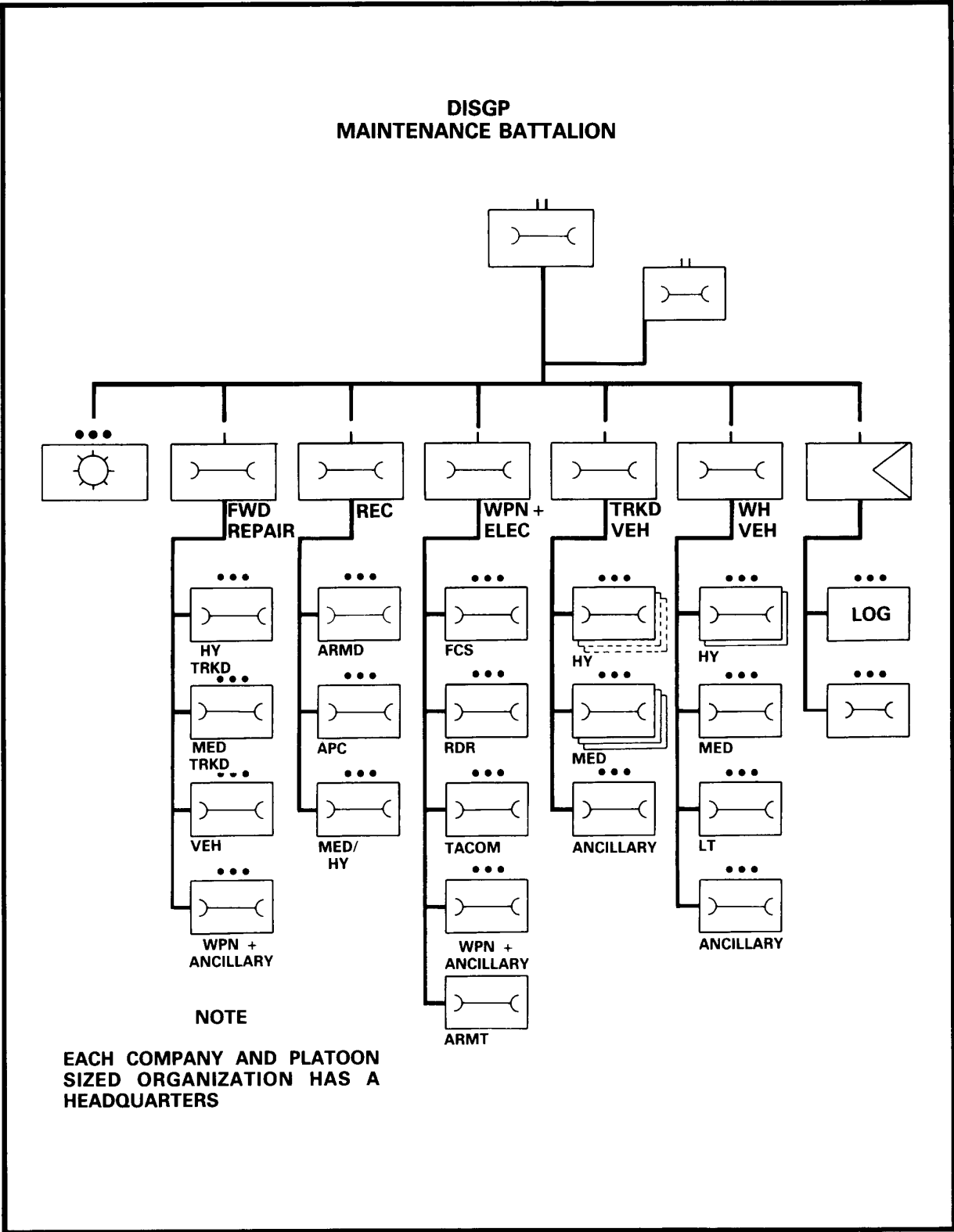


Figure 3-5 A DISGP Maintenance Battalion

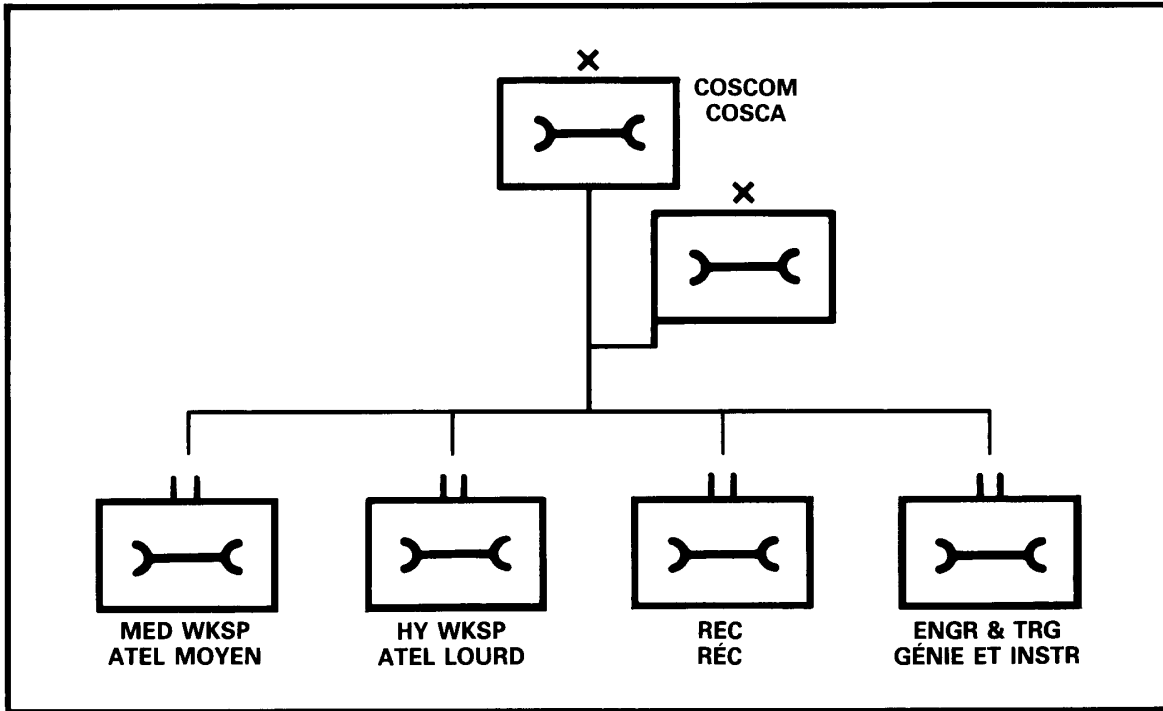


Figure 3-6 A COSCOM Maintenance Brigade

## **SECTION 3**

### **EME RESOURCES**

#### **INTRODUCTION**

11. Each maintenance organization possesses the necessary resources to fulfill its role. These include:

- a. manpower;
- b. vehicles;
- c. technical equipment;
- d. repair parts; and
- e. unit stores and equipment.

#### **MANPOWER**

12. EME organizations range in size from 30 to 100 personnel in a unit maintenance platoon or troop to the many thousands in the COSCOM maintenance brigade. Although the number of personnel in each EME organization varies depending on the role of the supported unit or formation, all EME organizations require about the same technical expertise. The relative numbers of each type of technician depends upon the quantity and diversity of equipment held by the unit or formation.

13. Those trades normally employed within EME organizations are vehicle technicians, weapon technicians (LAND), fire control system technicians, material technicians, administration clerks, supply technicians, radar technicians, communications technicians, and radio technicians.

14. A number of other trades such as cooks, medical assistants, finance clerks, material support equipment operators, etc, are integral to EME organizations at the unit and formation level. They provide services to the EME unit or formation to allow it to operate self-sufficiently. The functions of these persons are described in detail in B-GL-304-002/FP-001, Unit Administration.

#### **VEHICLES**

15. The scale of vehicles in an EME organization is provided to meet the following requirements:

- a. provision of recovery services;
- b. carrying the organization's tools and equipment; and

- c. transporting personnel, equipment and stores.
16. The number and types of vehicles vary with the role of the unit and include some or all of:
- a. armoured recovery vehicles (ARVs) for the repair and recovery of tanks, armoured personnel carriers, and self-propelled artillery;
  - b. standard military pattern (SMP) vehicles for transporting personnel and equipment; and
  - c. specially equipped vehicles (SEVs).
17. Recovery services are normally provided through the use of two types of recovery vehicles:
- a. **Medium and Heavy Wheeled Recovery Vehicles.** Medium and heavy wheeled recovery vehicles are equipped with a winch and a hydraulically operated crane. They also carry oxyacetylene welding equipment and an adequate scale of tools and recovery equipment.
  - b. **Armoured Recovery Vehicles (ARVs).** The ARV chassis is similar to the type of equipment which it is designed to support. It is equipped with welding and cutting equipment, ammunition, and an adequate supply of tools, repair parts, and recovery equipment.
18. SEVs are workshop vehicles specifically designed and equipped to provide technicians with a standard work centre. In most cases SEVs use an SMP chassis with a specially mounted shelter. This allows for flexibility because pods can be moved from one vehicle to another as required. The most common SEVs are:
- a. **Fire Control System (FCS) SEV.** The FCS SEV is a shelter designed to hold the various optical, electronic, and laser test equipment, and spare parts, and manuals required for the first-line maintenance of a unit's FCS equipment.
  - b. **Weapons (Wpns) SEV.** The Wpns SEV is a shelter designed to hold the weapons' repair equipment, including vices, spare parts, manuals, and limited greases and oils required for the first-line maintenance of a unit's weapons.
  - c. **Material (Mat) SEVs.** The materials technician is provided with an SEV capable of holding an oxyacetylene welder and machinist equipment. The SEV pulls a trailer equipped with an Arc-MIG welder, welding supplies, and metal stock. At the maintenance company level or higher the Mat SEV will be configured to allow for separate vehicles for machining, welding, and textile work.

- d. **Inspection and Repair (I & R) SEV.** This SEV moves with a trailer-mounted generator, and is designed to provide power tools, battery charging equipment, and electrically operated test tools for the efficient inspection of wheeled and tracked vehicles.
- e. **Telecommunications (Tels) SEV.** The communications and radio technicians are provided with a Tels SEV designed to hold test equipment, and repair parts and tools needed to complete maintenance activities on non-secure communications equipment.
- f. **Lubricating and Servicing Units.** These are trailer-mounted, and include air-operated lubrication and tire inflation equipment.

## TECHNICAL EQUIPMENT

19. EME organizations have large amounts of technical equipment necessary for completion of maintenance procedures. The technical equipment includes workshop tools, hand tools, optronic and electronic test equipment, and expandable technical stores.

20. **Workshop Tools.** These include vices, portable benches, anvils, lathes, grinders, benders, lamps, drills, measuring and testing equipment, and ignition test sets. Some organizations may be equipped with portable maintenance shelters which can be erected over part of the major equipment to facilitate work at night and during inclement weather. There are also a number of special tools and fittings that are included in the category of workshop tools and are needed for the recovery or repair of particular equipment.

21. **Hand Tools.** These are divided into two categories-hand tools for personal use, and those for general use. Each technician is issued with a personal tool kit. In addition, each EME organization maintains a tool crib which holds the general-use tools such as screw cutting tools, reamers, etc.

22. **Optronic and Electronic Test Equipment.** Numerous types of optronic and electronic test equipment is required by the technicians for fault finding and repair of the highly sophisticated equipment found on the battlefield. This test equipment is mounted in SEVs which have specially designed pods with suitable racks and proper protection against damage.

23. **Expendable Technical Stores.** EME organizations hold a sufficient stock of nuts, bolts, welding electrodes, paint, wire, cable, jointing material, and metal stock for completion of their tasks.

## REPAIR PARTS

24. Repair parts are technical stores, which, because of their critical nature, are considered as a separate commodity. Holdings are based on predetermined scales and usage rates. Practical experience affects authorized scales and amendments are issued accordingly.

25. Repair parts stocks are normally held as follows:
- a. **First Line.** Units hold enough stock for 15 days.
  - b. **Second Line.** Brigade group service battalions hold enough first line spares for 15 days and second line spares for 30 days, to meet maintenance requirements. At division, DISGP service battalions hold a limited range of repair parts to satisfy emergency demands. The majority of division repair parts are held by the DISGP supply battalions. Corps troops holdings of repair parts consist of 30 days stock of both first and second line. These are held within the COSCOM general supplies battalion.
  - c. **Third Line.** The COSCOM general supplies battalion provides the corps with 30 days additional stocks of third line repair parts for level-one, -two, and -three maintenance requirements. Stock levels are determined by the corps and national command headquarters.
  - d. **Fourth Line.** Canadian support groups (CSGs) and area support groups (ASGs) in the COMM Z hold the balance of repair parts stocks in the area of operations. Stock levels are determined by theatre and national command headquarters, and these groups may hold enough parts for 180 days.
26. At each level within the EME System there is a repair parts organization which provides the immediate repair parts requirements of the maintenance organization. The replenishment of repair parts is a function of the supply system. The repair parts chain includes the repair parts platoons or sections within maintenance organizations (the users), the repair parts platoon of a DISGP service battalion Supply and Transport (ST) company, a repair parts company of the DISGP supply battalion, and a repair parts company in the COSCOM general supplies battalion.
27. EME line and staff personnel are responsible for advising repair parts organizations of the expected usage rates for future operations. EME second, third, and fourth line organizations have personnel dedicated to this task, which is termed repair parts scaling. The repair parts scaling personnel and the repair parts organizations work in close proximity to each other to ensure that the appropriate repair parts are held at each level.

## UNIT STORES AND EQUIPMENT

28. **Weapons and Ammunition.** Each individual is issued with a personal weapon appropriate for his role. In addition, maintenance organizations have a number of crew-served weapons including light and chain machine guns and anti-armour weapons.
29. **Radios.** The number of radios held by the maintenance organization will depend on its role. Larger, more static EME organizations, such as the COSCOM maintenance brigade will have fewer subunits which require vehicle-mounted radios. Smaller EME organizations such as a brigade or brigade group maintenance company and a unit maintenance platoon will have a larger percentage of their vehicles equipped with radios because of the mobile nature of the support

provided. Generally, all recovery vehicles and mobile repair teams (MRTs) are radio equipped.

30. The administration element of the unit is responsible for controlling all of the unit stores and equipment (CFFET).

## **SECTION 4**

### **BATTLEFIELD RECOVERY**

#### **INTRODUCTION**

31. Very few tradesmen employed by the Electrical and Mechanical Engineering System have ever repaired battle-damaged equipment, and the current technical manuals do not cover the subject. Indeed, few people in Canada have any idea what modern weapons will do to the complex technical equipment now in our inventory.

32. In wartime, the repair of battle damage will have to be incorporated into our technical training as we gain actual experience with it in operations. There may even be a requirement to alter repair parts scales and Permissive Repair Schedules (PRSs) as a result of such experience.

33. The battlefield recovery system is designed for the movement of major equipment casualties from the location where they become unserviceable to the supporting EME unit as well as for the movement of unserviceable equipment between EME units. Battle damage and equipment failure produce a large number of casualties. The speed with which the EME System can return this equipment to battle in serviceable condition has a direct influence on the outcome of the operation. The battlefield recovery system is the primary means by which equipment is moved to the appropriate EME organization for repairs.

34. The battlefield recovery system is for the recovery of vehicles and major equipments; more information can be found in B-GL-314-005/FP-001. Minor equipments and assemblies are moved through the Supply System as discussed in Chapter 2, section 2, paragraphs 21 to 23.

#### **THE BATTLEFIELD RECOVERY SYSTEM**

35. The first step in the completion of EME services is either to move the technicians to the equipment, called forward repair, or to move the equipment to the EME unit location. Critical equipment such as tanks, artillery guns, anti-armour vehicles, engineer equipments, and command posts which require first or second line maintenance are normally repaired forward. Less critical vehicles and equipment requiring third or fourth line EME services are recovered as soon as is practical to the appropriate EME organization.

36. Recovery resources are limited and as a result equipment requiring recovery often is accumulated by units and formations. The accumulation of this equipment in the EME location is undesirable as it results in congestion and poses a security problem. Therefore vehicles and equipment awaiting recovery are moved to an intermediate location. At the unit level this location is called an Equipment Collecting Point (ECP) and at formation level it is called a Back Loading Point (BLP).

37. ECPs and BLPs are normally sited to the rear of the unit and formation administration areas, often near the unit or formation rear boundary. The supported (lower line) EME organizations are responsible for movement of the equipment to the ECP. The supporting EME



organizations are then responsible for control of the equipment in the ECP or BLP and its movement rearward to the next higher EME organization. Figure 3-7 shows the movement of equipment by the battlefield recovery system.

38. It is important to note that an equipment will move along the shortest route to the appropriate EME organization. For example, if a first line maintenance platoon or troop identifies that an equipment casualty requires third line services, that equipment will move to the unit ECP, the division BLP, and to the COSCOM Maint Bde. In this way it bypasses the DISGP Svc Bn Maint Coy and the DISGP Maint Bn, resulting in a reduction in time taken for movement of the equipment.

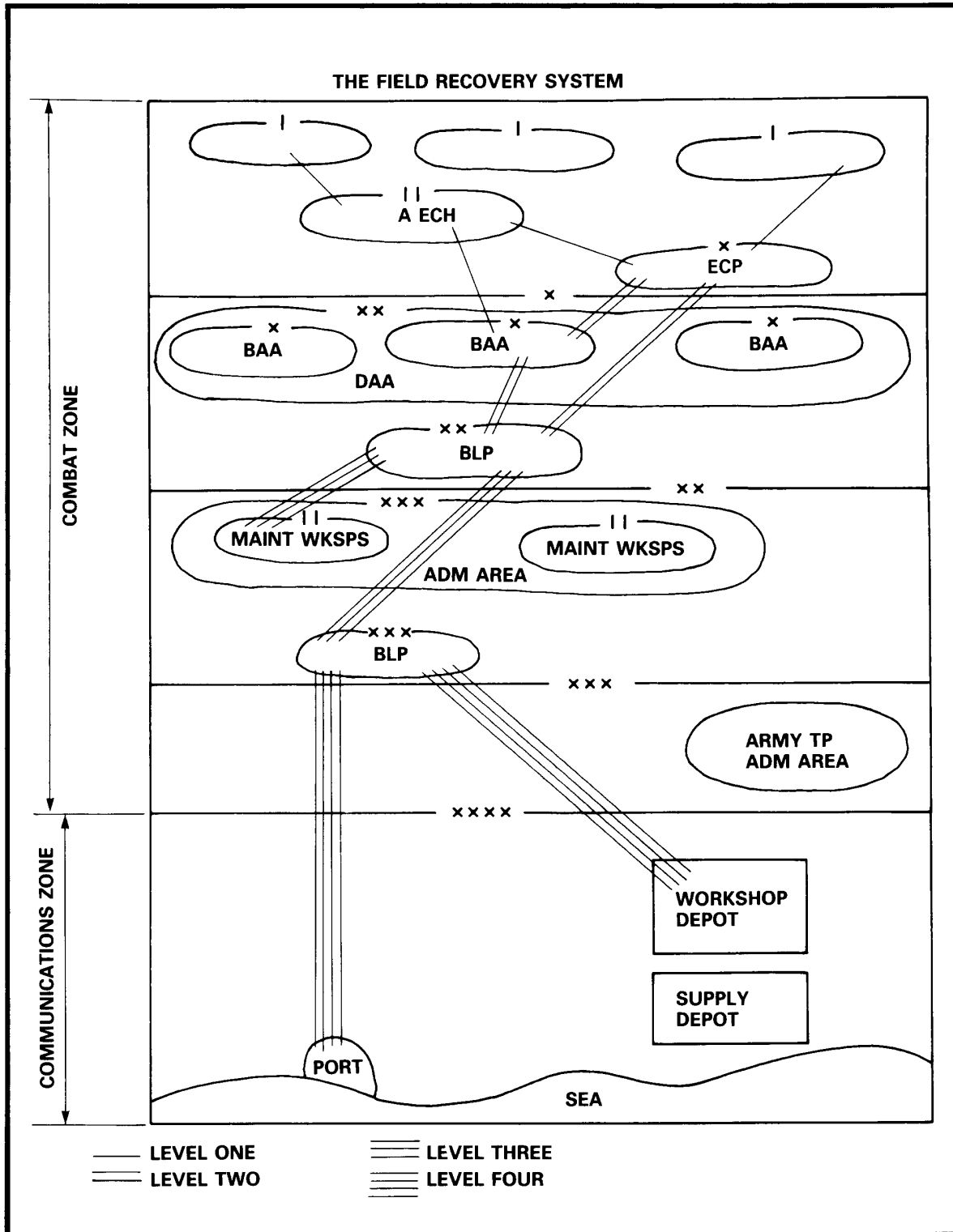


Figure 3-7 The Battlefield Recovery System

## CHAPTER 4

### UNIT MAINTENANCE

#### SECTION 1

#### INTRODUCTION

##### GENERAL

1. Within the context of a Canadian Corps, each battalion- or regimental-sized organization normally has its own integral EME platoon- or troop-sized sub-unit for first line maintenance support. Minor units may have a section-sized EME organization or no EME organic resources; thus having to rely on second line CSS units for support.
2. This chapter outlines the operations of EME organizations at the unit level. Section 1 outlines the aim, role, and scope of unit maintenance. Section 2 discusses the organizational factors which influence the make-up of the various maintenance platoons and troops. Section 3 outlines the EME resources available within a maintenance platoon or troop. Section 4 discusses the command and control within a unit maintenance platoon or troop including key appointments. Section 5 outlines EME operations at unit level and Section 6 concludes the chapter by discussing the operation of the unit maintenance organization in each combat arm, combat support arm and combat service support unit.

##### ROLE AND SCOPE

3. **Role.** The role of a unit maintenance platoon or troop is to maintain the unit's equipment at the highest possible state of battle-readiness. This responsibility does not include medical, communication, dental or tactical aviation equipment. The operational readiness of the unit's equipment is achieved by providing trained technicians for immediate maintenance support.
4. **Scope.** The unit maintenance organization is responsible for first line maintenance of the unit's equipment including level-one and limited level-two repair, servicing, recovery, inspection, modification, and repair parts scaling, when working as an entity or an independent sub-unit.

## SECTION 2

### ORGANIZATIONAL FACTORS

#### INTRODUCTION

5. The factors affecting the organization of EME units are outlined in Section 2 of Chapter 3. These factors apply to a great extent to the structuring of the unit maintenance organization. This section details those factors which have a direct influence on the structuring of a unit maintenance platoon or troop including discussions on unit maintenance platoon or troop characteristics and the organizational factors.

6. At the combat arms unit level the echelon system is used to define the distribution of unit resources. The echelon designations are:

- a. **F Echelon.** This includes the men, weapons, and vehicles required for fighting the immediate battle.
- b. **A Echelon.** The area where the unit's combat service support organizations are located. It may be further sub-divided into the -
  - (1) **A1 Echelon.** This includes the men, vehicles, equipment, and medical resources required for the moment to moment resupply, repair, and maintenance of the F Echelon. It normally operates under the command of a combat team commander and is normally located one or two tactical bounds behind the F Echelon.
  - (2) **A2 Echelon.** This includes the balance of men, vehicles, equipment, and medical resources required forward for the day-today resupply, repair, and maintenance of the F Echelon. This echelon is formed if the tactical situation permits or the unit requirement exists.
- c. **B Echelon.** This includes the men, vehicles, and equipment not included in the F or A Echelons but required for the routine administration of the unit.

7. Figure 4-1 uses an infantry battalion as an example to show the echelon system. Note that the maintenance platoon (Maint PI) is in A2 Echelon. When required, maintenance resources may be deployed in the A1 Echelons of the F Echelon.

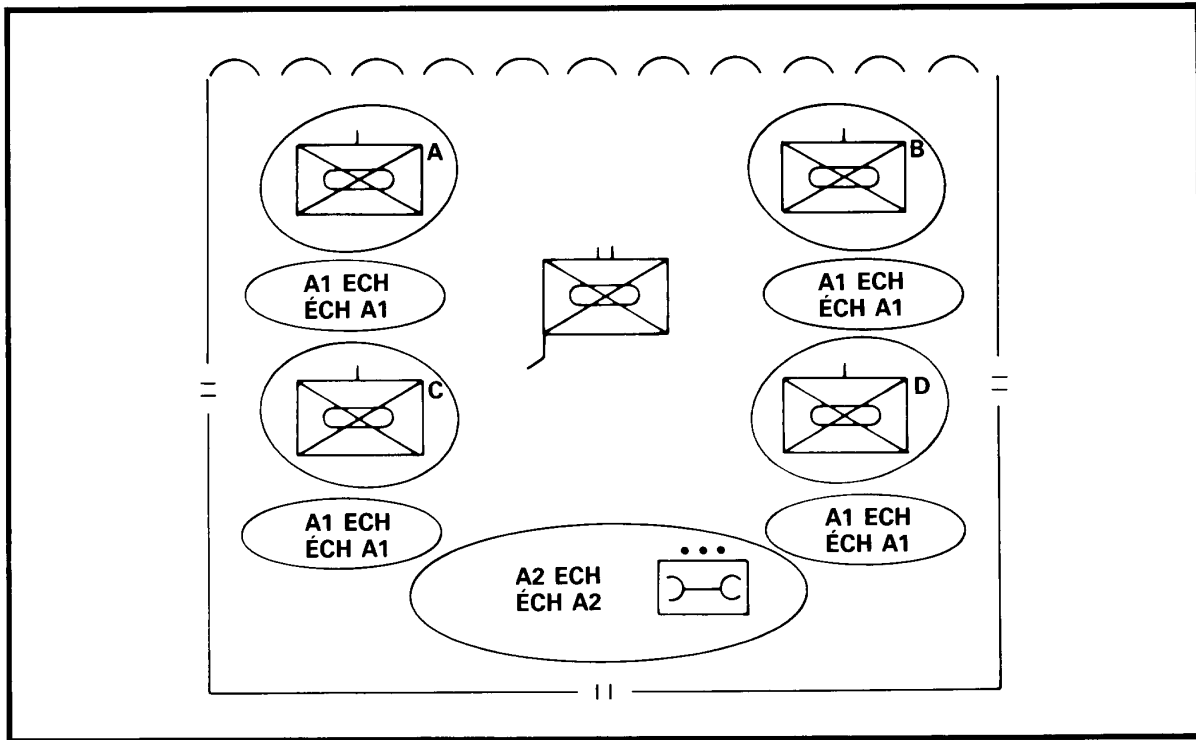


Figure 4-1 The Echelon System

## MAINTENANCE PLATOON OR TROOP CHARACTERISTICS

8. The maintenance platoon or troop is designed to match the role, organization, and equipment of the unit it supports. As the unit maintenance platoon or troop (and sometimes section) is the smallest EME organization it is often necessary to combine two or more of the functions outlined in Section 2 of Chapter 3.
9. The characteristics possessed by unit maintenance platoons and troops are:
  - a. **Equipment Oriented.** The unit maintenance platoon or troop is capable of providing first line maintenance support to all equipment held by the unit for which the EME system is responsible. This means that trained technicians capable of completing the maintenance functions along with the necessary tools, manuals, test equipment, and repair parts are integral to the unit maintenance platoon or troop.
  - b. **Size.** Unit maintenance platoons or troops are established to complete the immediate maintenance support to the unit's equipment. The size of the unit maintenance platoon or troop is dependent on the amount and complexity of the unit's equipment. Unit maintenance platoons or troops can range from 30 to 100 personnel as a result of this factor.

- c. **Mobility.** Each unit maintenance platoon or troop is equipped with the necessary vehicles and equipment to match the mobility of the unit it supports.
- d. **Command.** Each major unit maintenance platoon or troop is commanded by a LEME officer. In addition, the LEME officer is the commanding officer's advisor on all EME matters.
- e. **Technical Control.** Although the maintenance platoon or troop is an integral part of the unit, it is also a link in the Technical Chain of Control (Chapter 2, Section 2). This permits discussion of EME related matters with the G4 Maint at brigade headquarters and on technical direction from the higher formation EME staff.
- f. **Flexibility.** Unit maintenance platoons or troops are capable of completing first line maintenance operations in the same environment to which the unit is exposed. In addition, maintenance procedures can be carried out from one central location or by sending the technicians forward to where EME services are needed.
- g. **Limitations.** In supporting a commanding officer's plan a unit maintenance platoon or troop is subject to a number of limitations -
  - (1) The manpower resources available only permit repairs which can be done quickly. Even though the technicians may have the technical training and the necessary instruction manuals, tools, test equipment, and repair parts to carry out complicated and lengthy repairs, the normal time limit per task is usually four hours. Any jobs that require additional time are normally back-loaded to the supporting second line EME organization.
  - (2) The sensitivity and delicacy of some electronics test equipment, particularly in the area of optics, lasers and fire control systems, require that they be located in relatively static and sometimes dust-free environments. As unit maintenance platoons are highly mobile and operate in rugged environments such test equipment would be easily damaged and is, therefore, located at second or third line EME organizations.
  - (3) The limited numbers of recovery vehicles, both wheeled and armoured, make it difficult to provide immediate recovery support at all times. Unit maintenance officers establish priorities for recovery during operations and alternate methods of recovery are used where possible.
  - (4) The proximity to the enemy requires that EME personnel move and work tactically, providing their own protection and camouflage. This means that care must be taken to maintain light and noise discipline, utilize camouflage and concealment, and restrict movement. Each of these factors reduces the maintenance platoon's or troop's ability to provide its services quickly.

- (5) The tactical situation often requires that radio or electronic silence be imposed. As the operator is normally responsible for advising EME personnel when an equipment fault occurs, a means other than radio must be used. This results in delays occurring before EME personnel are advised of the location and extent of the breakdown.

## ORGANIZATIONAL FACTORS

10. A unit maintenance platoon or troop is organized to meet the functions discussed in Section 2 of Chapter 3 as follows:

- a. **Command.** This function is fulfilled by the unit maintenance officer and seconded by the Engineering Technician Quartermaster Sergeant (ETQMS).
- b. **Planning and Control.** This function is completed by the maintenance officer, ETQMS, and the production section commander. As the scope of operations is limited within a platoon, there is no requirement for a dedicated planning and control staff.
- c. **Technical Administration.** Each maintenance platoon or troop has a clerk, who is responsible for completion of the technical reports and records.
- d. **Repair Parts Support.** Each maintenance platoon or troop has one or more supply technicians, who are responsible for ordering, controlling, and issuing repair parts. The ETQMS advises the supply technicians on the scale of repair parts to be held.
- e. **Production.** A unit maintenance platoon or troop is organized with a variable number of production sections, although there will normally only be two sections - vehicle maintenance and ancillary maintenance. The predominance of vehicles in almost all units means that the majority of the manpower is dedicated to vehicle repairs. The ancillary section is composed of technicians for the other types of equipment held by the unit.
- f. **Unit Administration.** This function is normally completed by the parent unit's administrative personnel. The limited unit administration required at the platoon or troop level is completed by the platoon or troop clerk.

11. A typical maintenance platoon or troop organization is shown in Figure 4-2. Note that the production sections can be subdivided into sub-sections if the maintenance platoon or troop has the resources.

12. The provision of maintenance services to communications equipment at unit level is not a responsibility of the EME system. The unit signals troop is established with technicians for maintenance of all communications equipment. The radio technician must work closely with maintenance platoon personnel and in fact, will likely be collocated with the maintenance

platoon.



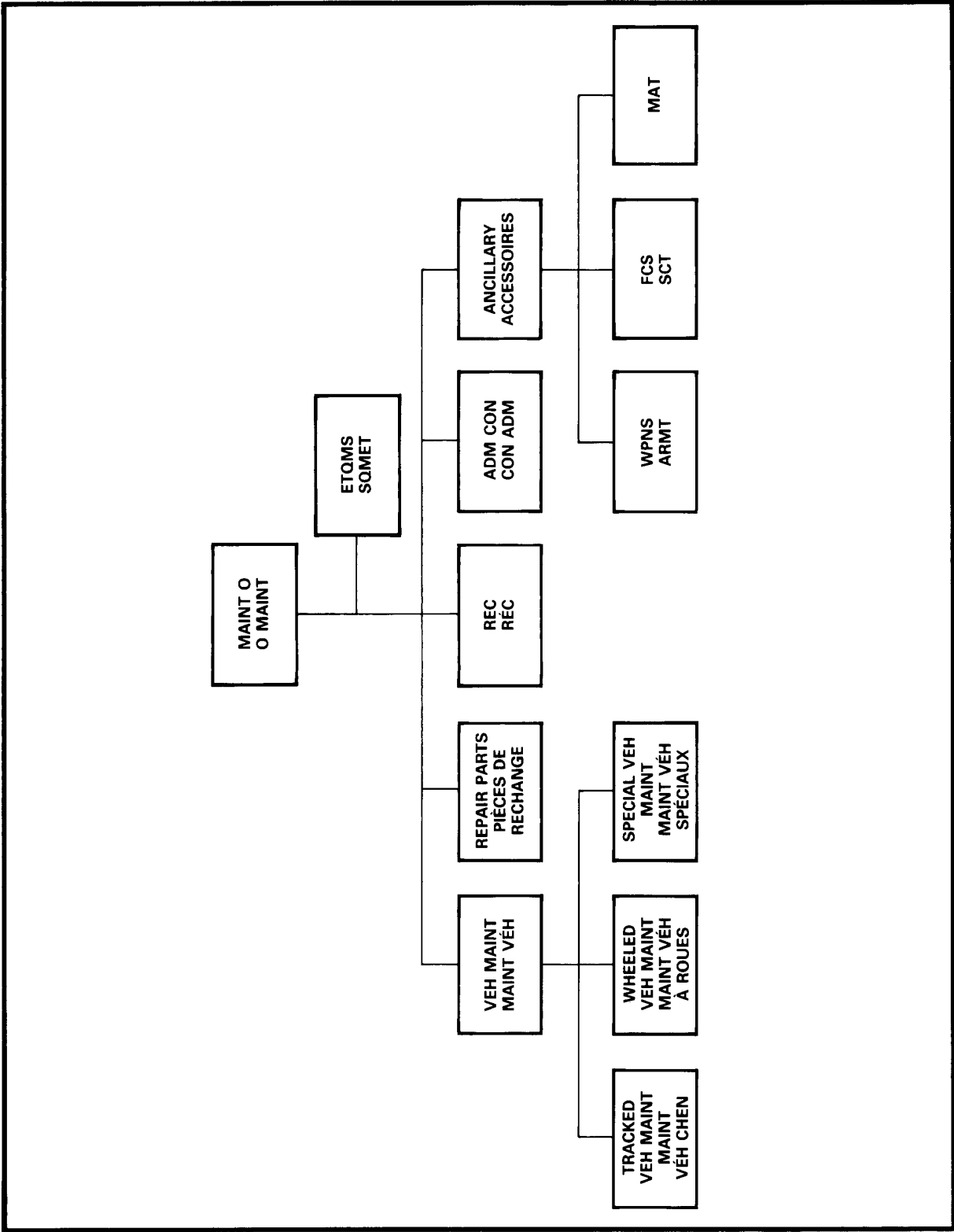


Figure 4-2 A Typical Maintenance Platoon or Troop Organization

## SECTION 3

### RESOURCES

#### GENERAL

13. The resources found within EME organizations are outlined in general in Section 3 of Chapter 3. This section discusses the resources which are integral to unit maintenance platoons and troops, and includes manpower, vehicles, technical equipment, repair parts, and unit stores and equipment.

#### MANPOWER

14. The number of each type of technician is variable and depends on the types of equipment held by the unit.

15. A unit maintenance platoon or troop is generally organized as shown in Figure 4-2 with the following personnel:

- a. the unit maintenance officer (Maint O) is a LEME captain;
- b. the engineering technician quartermaster sergeant (ETQMS) is a LEME master warrant-officer;
- c. the repair parts section is manned by one or more supply technicians and is normally commanded by a master-corporal;
- d. a corporal administration clerk is employed in the platoon or troop headquarters;
- e. the vehicle maintenance section is generally commanded by a warrant-officer vehicle technician. All of the technicians in this section are vehicle technicians and account for more than half of the total platoon or troop strength. This section is often divided into the following subsections -
  - (1) a tracked vehicle maintenance sub-section responsible for maintenance of mechanized vehicles. This section only exists if the unit has numerous tracked vehicles. Some of the vehicle technicians may require specialized training and often complete forward repairs,
  - (2) a wheeled vehicle maintenance sub-section responsible for maintenance of the wheeled vehicles. All units have a requirement for wheeled vehicle maintenance and as most wheeled vehicles are of standard military pattern (SMP) no specialist training is needed, and

- (3) a specialist vehicle maintenance sub-section responsible for the maintenance of specialist vehicles, such as engineering equipment, for units which hold specialist vehicles. In general all vehicle technicians employed in a specialist vehicle maintenance sub-section are required to have courses on the maintenance of the vehicles to be supported;
- f. the recovery section is composed of vehicle technicians and can be commanded by a sergeant or master-corporal. In some units the recovery section is under the vehicle maintenance section; and
- g. the ancillary maintenance section is normally commanded by a warrant-officer weapons technician (land), fire control systems technician or materials technician. It is further divided into,
  - (1) a weapons maintenance sub-section which is commanded by a sergeant weapon technician (land) and has a variable number of weapon technicians,
  - (2) a fire control systems maintenance subsection which is commanded by a sergeant or master-corporal fire control technician. This section has fire control technicians-optronic, fire control technicians-electronic and radar technicians depending upon the types of equipment held by the supported unit, and
  - (3) a materials sub-section with one or more materials technicians commanded by a sergeant or master-corporal.

## **VEHICLES**

16. A unit maintenance platoon or troop is equipped with a number of vehicles to fulfill its role. The platoon or troop is capable of the same level of mobility as the unit it supports, as its types of vehicles match those of the unit. The vehicles found in most maintenance platoons and troops include:

- a. tracked vehicles such as ARVs which provide protection and the same level of mobility. Tracked vehicles are generally the same model as the vehicles being supported, and conduct forward maintenance operations; and
- b. wheeled vehicles, which make up the majority of the vehicle holdings and include
  - (1) medium and heavy recovery vehicles,
  - (2) repair parts vehicles which are binned to allow for storage of the repair parts,

- (3) specially equipped vehicles (SEVs) for weapons, fire control systems, materials and inspection and repair,
- (4) a command post vehicle for the platoon or troop headquarters, and
- (5) general cargo vehicles.

## **TECHNICAL EQUIPMENT**

17. Each unit maintenance platoon or troop has the necessary hand tools, workshop tools, optronic and electronic test equipment, and expendable technical stores and technical manuals to carry out its role.

## **REPAIR PARTS**

18. The unit maintenance platoon or troop repair parts section holds fifteen days usage of first line repair parts. The platoon or troop has from one to four vehicles, each with a trailer, dedicated to carrying the repair parts. In some units there are more repair parts vehicles than there are supply technicians and the vehicles are driven by other members of the maintenance platoon.

## **UNIT STORES AND EQUIPMENT**

19. The unit maintenance platoon or troop has sufficient unit stores and equipment for living and working in the same environment in which the supported unit is deployed. Each technician is issued with a personal weapon and the platoon or troop has some chain guns, and anti-armour weapons. In addition, the platoon command post, each mobile repair team, and each recovery vehicle is radio-equipped.

## SECTION 4

### COMMAND AND CONTROL

#### CENTRALIZED AND DECENTRALIZED MAINTENANCE

20. The command and control of EME resources at the unit level is done in one of two methods:

- a. **Centralized.** All EME personnel remain under the command and control of the unit maintenance officer.
- b. **Decentralized.** Some EME personnel are under the permanent command of company or squadron commanders and are only under the technical control of the unit maintenance officer.

21. The decision whether EME personnel are centralized or decentralized is the prerogative of the commanding officer. In general centralized control is used in units which perform their role in one location, with all or most sub-units concentrated in one area.

22. Decentralized control of EME personnel usually occurs in units in which companies, squadrons, or batteries are detached from the parent unit on a regular basis or are required to move independently.

23. Most units operate with a great degree of flexibility in the control of EME personnel, with the centralized and decentralized methods being the extremes.

#### CHAIN OF COMMAND WITHIN A UNIT

24. The unit maintenance platoon is normally a part of the administration company, squadron or battery. The unit maintenance officer is commanded by the officer commanding the administration or services company, squadron or battery but has direct access to the commanding officer on EME related matters.

25. When the unit uses a centralized maintenance system, all EME personnel are commanded by the unit maintenance officer and are members of the administration or services company, squadron or battery. When the unit uses a decentralized maintenance system, the maintenance sections in the companies, squadrons or batteries are under the command of the officer commanding that subunits

26. Figure 4-3 shows the chain of command in both cases.

## KEY APPOINTMENTS

27. The unit maintenance officer organizes the platoon or troop such that it can operate with minimum supervision. The unit maintenance officer delegates the routine administrative and operational duties and concentrates on critical or unusual requirements. The key appointments within unit maintenance platoons and troops include:

- a. the unit maintenance officer;
- b. the engineering technical quartermaster sergeant;
- c. the vehicle repair warrant officer;
- d. the recovery section commander;
- e. the ancillary warrant-officer; and
- f. the repair parts section commander.

28. **Unit Maintenance Officer.** The unit maintenance officer is also known as the Maint O or Tech Adjt and is responsible for:

- a. commanding, training, and ensuring the efficient operation of the unit maintenance platoon or troop;
- b. coordinating all repair, inspection, and recovery within the unit;
- c. managing the repair parts;

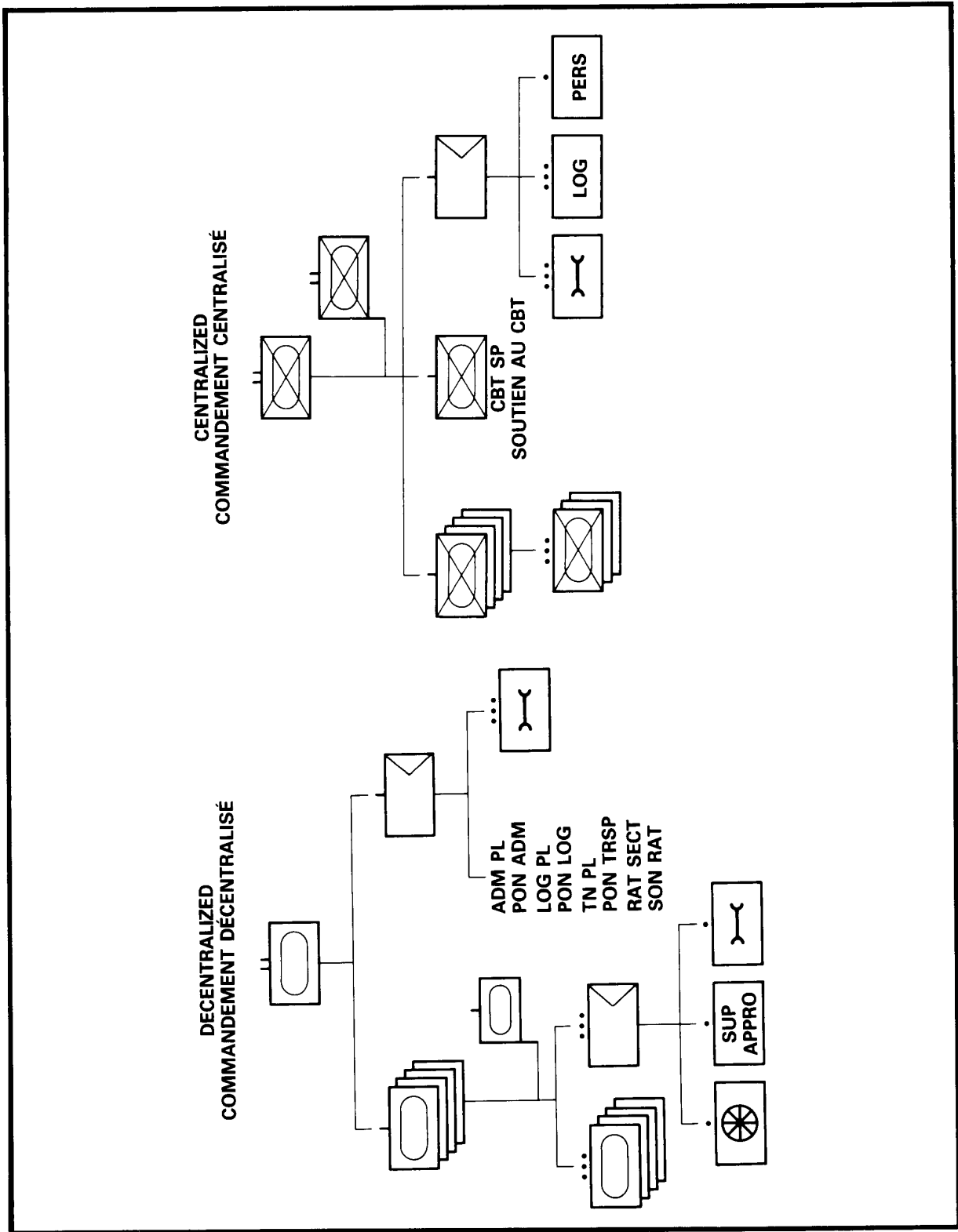


Figure 4-3 Examples of Centralized and Decentralized Command of EME Personnel

- d. advising the unit commanding officer and officers commanding companies, squadrons, or batteries on all matters affecting servicing, recovery, repair, inspection, modification, and general condition of the unit technical equipment;
- e. investigating and reporting all defects and proposed modifications affecting unit equipment;
- f. operating a system of prompt backloading of all equipment casualties that are beyond the capability of the platoon or troop;
- g. publishing maintenance instructions under the authority of the commanding officer;
- h. keeping records of all maintenance activities;
- j. taking precautions to safeguard stores and equipment;
- k. ensuring that EME personnel are in possession of all required technical information, and that technical publications are demanded as necessary;
- m. carrying out battle procedures in support of the unit's operation including issuing orders, outlining the unit's operation to all members of the platoon or troop, and detailing one representative for the A echelon reconnaissance party;
- n. serving as duty officer in the A echelon command post as ordered; and
- p. liaison with the formation EME staff and the supporting second line EME organization.

29. **Engineering Technician Quartermaster Sergeant (ETQMS).** The ETQMS is responsible to the unit maintenance officer for:

- a. acting as maintenance platoon or troop commander in the absence of the unit maintenance officer;
- b. overall supervision of the production sections and the platoon headquarters;
- c. sharing many of the administrative, technical, disciplinary, and manpower oriented duties; and
- d. advising the unit maintenance officer on technical procedures and problems.

30. **Vehicle Repair Warrant-Officer.** The vehicle repair warrant-officer is responsible to the ETQMS for:

- a. technical control of all vehicle repairs within the unit;



- b. continued liaison with company, squadron or battery maintenance sections when a decentralized control system is used within the unit;
- c. coordinating the repair parts scaling for vehicle related parts and meeting with the repair parts section commander for the control of the parts;
- d. initiating and coordinating necessary documentation including work orders, technical failure reports (TFRs), unsatisfactory condition reports (UCRs), and regular workload statistics;
- e. controlling vehicle systems related modification programmes;
- f. acting in the capacity of the ETQMS when the incumbent is absent; and
- g. controlling recovery operations when the maintenance platoon is organized with the recovery section under command of the vehicle maintenance section commander.

31. **Recovery Section Commander.** The recovery section commander is responsible to the ETQMS or the vehicle repair warrant-officer for:

- a. supervision and technical control of all recovery matters within the unit;
- b. coordinating the backloading of vehicle casualties to the equipment collecting point (ECP) for backloading to the supporting second line EME organization;
- c. the continued operation of all unit recovery resources; and
- d. completion of all necessary reports and returns.

32. **Ancillary Warrant-Officer.** The ancillary warrant-officer is responsible to the ETQMS for:

- a. technical control of all weapons, fire control systems, radar, and materials maintenance within the unit;
- b. continued liaison with company, squadron or battery maintenance sections when a decentralized control system is used within the unit;
- c. coordinating the repair parts scaling for weapons, fire control systems, radar, and materials related repair parts, and liaison with the repair parts section commander;
- d. initiating and coordinating necessary documentation including work orders, technical failure reports (TFRs), unsatisfactory condition reports (UCRs), and workload statistics; and

- e. control of weapons, fire control systems, radar, and materials related modification programmes.

33. **Repair Parts Section Commander.** The master-corporal supply technician is responsible to the ETQMS for:

- a. controlling the operation of the repair parts section;
- b. holding the authorized level of repair parts, which is normally 15 days;
- c. issuing parts to the production sections and, when decentralized, to the company, squadron or battery maintenance sections;
- d. maintaining stock records;
- e. demanding replacements for those repair parts already issued for completion of repairs;
- f. operating a tool crib and expendable stores outlets;
- g. managing return stores;
- h. meeting with the production section commanders to ensure that proper repair parts scales are being maintained; and
- j. controlling the layout and preparedness of the repair parts vehicles and trailers.

## COMMUNICATIONS

34. The primary means of communications within a unit maintenance platoon is by radio. The unit maintenance officer maintains a station on the unit administrative radio network which is controlled by the officer commanding the administration, services company, squadron or battery. Secondary means of communications include line and runner.

35. In addition, all recovery and mobile repair team (MRT) vehicles are radio-equipped and when dispatched from the maintenance platoon location will be on a sub-unit administrative network as appropriate.

36. The unit maintenance officer has access to the supporting second line EME organization and EME staff at formation headquarters via combat network radio, radio-teletype, line or signal dispatch service (SDS).

## SECTION 5

### EME OPERATIONS AT UNIT LEVEL

#### UNIT LEVEL REPAIRS

37. During operations the primary task of a maintenance platoon or troop is to keep the maximum quantity of unit equipment in a battleworthy condition. This can only be accomplished through concentration on the maximum number of in-location minor repair tasks. Equipment which cannot be repaired within a few hours is backloaded or reported to a higher authority.

38. Daily servicing of equipment continues but periodic inspection is delayed until there is a lull in the operation. Completion of minor repairs which do not affect the battleworthiness of the equipment is also delayed until there is a respite in the flow of more urgent work.

39. During operations elements of the maintenance sections may be widely separated from the maintenance platoon or troop. The section commanders remain in close contact with the company, squadron or battery headquarters in order to receive timely information on equipment in need of recovery, minor repairs, or backloading. Each section commander is experienced in the assessment of time, labour, repair parts, and special tooling or equipment needed to effect the repair.

40. The unit maintenance officer, ETQMS, vehicle maintenance warrant-officer, and ancillary warrant-officer must visit the dispersed maintenance sections on a regular basis. Any equipment casualties which are beyond the capabilities or capacity of these sections are then handled in one of the following ways:

- a. maintenance platoon or troop personnel, equipment, and stores can be sent forward to effect the repairs;
- b. the equipment can be backloaded to the unit maintenance platoon or troop location for repair;
- c. the equipment can be left in location and arrangements made for repair by an MRT from the supporting second line EME organization; and
- d. the equipment is abandoned or destroyed if it is beyond repair.

41. It is standard practice that equipment crews remain with their equipment while it is being dealt with by unit EME personnel. This is particularly difficult during intensive operations where there is an immediate requirement for vehicle crews. In this case a skeleton crew remains with the equipment.

42. It is often necessary to take parts from unserviceable vehicles in fulfilling the requirement of retaining the maximum amount of equipment in a battleworthy condition. The use of parts from unserviceable vehicles is controlled by the unit maintenance officer.

43. Equipment casualties which are beyond the capability or capacity of the unit maintenance platoon or troop are handled in the following ways:

- a. equipment which can be repaired in location by the supporting second line EME organization will be left in or recovered to a suitable location and a repair request forwarded to the supporting second line EME organization; and
- b. equipment which cannot be repaired in location are backloaded to the supporting second line EME organization either by recovery (for vehicles and major equipment) or through the supply system (for minor equipment and assemblies).

44. Requests for forward repair services are normally sent to the supporting second line EME organization by combat radio or radio-teletype. The format for repair or recovery requests is issued as a formation SOP, and the information provided normally includes:

- a. identification of unit;
- b. type, make, and registration number of the equipment;
- c. condition classification of the equipment;
- d. information about whether the equipment can be moved, or must be direct towed or suspended towed;
- e. the grid reference of the location;
- f. the extent of repair required;
- g. details of location including minefields, terrain, NBC level, and approaches; and
- h. information about whether the crew is with the equipment.

45. In the event that unit equipment is in jeopardy of being captured by the enemy, the commanding officer may order that it be destroyed. EME personnel are then responsible for ensuring that equipment casualties which they must abandon are destroyed in accordance with unit SOPs. It is policy that any equipment which can be backloaded by any practicable means will not be destroyed but will be backloaded to a location where it can be readied for future operations.

46. When the unit ceases intensive operations due to a lull in the battle, or by being withdrawn from the line, maintenance activities return to normal. The unit emphasizes periodic inspections and catches up on all outstanding repairs and modifications in preparation for the next operation.

47. Technical records of repairs are required regardless of the type of operation being undertaken by the unit. As a minimum the following types of documentation are completed:

- a. **Work Record Book.** This is a book maintained within the platoon or troop headquarters to record all outstanding work. It has separate sections for each of the production sub-sections and allows for control and establishment of work priority for all outstanding items. It also serves as the source of information for the equipment log books and for equipments which are backloaded.
- b. **Equipment Log Books.** Equipment log books are maintained on most major equipment including armoured vehicles, engineering equipment and generators. The unit maintenance officer is responsible for ensuring that repairs, inspections, and modifications are entered in the appropriate sections.
- c. **Defect Reports.** A defect report, also called a defect slip is completed by the equipment operator when a defect is noticed. A locally produced form is used to notify maintenance personnel that work is required, and under what circumstances the defect occurred. Defect reporting from the unit to the formation EME staff and the supporting second line EME organization is done by means of the technical failure report (TFR).
- d. **Condemnation Certificates.** Condemnation certificates are prepared on all equipment which is beyond repair (BR), and for which the unit maintenance officer is authorized to condemn. The condemnation certificate is the authority for the user to demand a replacement item through the supply system.

## REPAIR PARTS

48. The importance of operating an efficient repair parts section within the unit maintenance platoon or troop cannot be over-emphasized. Without an adequate supply of repair parts and associated stores, the ability of the production section is reduced considerably.

49. The repair parts section is manned by one or more supply technicians headed by a master-corporal. The unit quartermaster exercises technical control over the repair parts section and in conjunction with the unit maintenance officer, advises the unit commanding officer on the efficient supply of repair parts within the unit.

50. Holdings of repair parts at the unit level is normally equivalent to 15 days expected usage. The repair parts section commander meets continuously with the production section commanders to revise and update the unit holdings. The repair parts section commander ensures that stocks are recorded, and that older stock is used up first as many parts deteriorate with time.

51. Initial stock for a unit, which is newly formed or just arriving for operations, is based on the repair parts scale produced by EME personnel. As the unit becomes seasoned in combat, experience shows which repair parts holdings are insufficient and which are excessive. The scales are then adjusted. One other factor that changes the unit's scale of repair parts is the length

of time that the unit's equipment is in battle. Equipment ages quickly due to the requirement to operate it at maximum levels for extended periods and repair parts usage increases.

52. The repair parts section issues the repair parts to the production sections as needed. If the unit employs a decentralized maintenance system, each of the repair detachments has a small holding of fast moving items and demands others as needed. Mobile repair teams (MRTs) also deploy with a small holding of repair parts.

53. The maintenance platoon or troop replenishes its stock of repair parts by forwarding demands to the supporting second line supply organization, normally the ST company of a DISGP service battalion or the supply battalion of a DISGP. Normal demands are delivered to the unit from the second line supply organization at the nightly delivery point (DP). Urgent demands are brought forward at any time by the fastest means available. Procedures for demanding repair parts are included in unit and formation SOPs.

54. Repairable components and minor assemblies are returned by the maintenance platoon or troop to the unit quartermaster. They are then packaged and returned to the second line supply organization on the nightly DP run where they can be forwarded to the maintenance company or battalion for repair.

## **UNIT RECOVERY**

55. Responsibility for recovery of unit equipment rests with the unit, which is equipped with sufficient recovery vehicles of a type to match the unit's equipment. The unit maintenance officer is responsible to the commanding officer for the efficient operation of the unit recovery resources.

56. Recovery during battle involves casualties caused by mechanical failure, ditching or bogging down in impassable ground or damage by enemy action. Regardless of the cause, once the crew determines that assistance is required, a casualty report is submitted by the best and fastest available means. The casualty report is usually a Recovery Request and is transmitted by radio or sent by runner. The format for recovery request is included in unit and formation SOPs and should include as a minimum:

- a. identification of sub-unit;
- b. type, make, and registration number of the equipment;
- c. condition classification of the equipment (X, Y, Z, BR);
- d. information about whether the equipment can be moved by direct towing, suspended towing, etc;
- e. the grid reference of its location;
- f. the extent of assistance required;

- g. details of the location including minefields, marshes, approaches, enemy action in the vicinity, NBC level, etc; and
- h. information about whether the crew is with the equipment.

57. Receipt of the recovery request is the first instance in which the maintenance platoon or troop becomes aware of the problem. Although operational considerations often dictate the timing and urgency of the recovery task, EME personnel generally follow the same steps in responding to a recovery request:

- a. the recovery section commander is advised of the task and given all available information;
- b. the recovery section commander reviews all factors and makes an initial reconnaissance if necessary;
- c. a recovery team is tasked, briefed, and dispatched to the site of the casualty;
- d. on arrival at the site of the casualty, the recovery team -
  - (1) confirms that the immediate area is secure and posts one or more guards, normally the members of the casualty crew,
  - (2) a reconnaissance of the site is completed and an assessment made of extra equipment which is needed,
  - (3) an inspection of the equipment for mines, booby traps, and NBC contamination is made for equipment left without a crew,
  - (4) the equipment is extricated to a location for towing or driving away, and
  - (5) an inspection is completed to decide on any further action required; and
- e. the casualty is repaired at the location, or moved elsewhere for repair.

58. Unit recovery resources also have an important role during unit moves. The primary task of the recovery section is to keep up with the unit to ensure routes are cleared, thus maintaining the unit's mobility. Other responsibilities of the recovery section during unit moves include:

- a. recovering priority vehicles such as command posts, etc;
- b. freeing injured personnel;

- c. ensuring that the unit's equipment does not block the route for following units. Unit casualties are moved completely clear of the route into a unit ECP or recovery post where they are repaired or recovered; and
- d. reporting all equipment casualties, their location, and status so that the unit has an accurate record of resources available.

59. In addition to the recovery vehicles, the unit uses the maximum number of prime movers to tow broken-down equipments. This frees the recovery vehicles for tasks requiring suspended towing and other priority work.

60. When it has been determined that a piece of equipment requires EME services beyond the maintenance platoon's or troop's capabilities either the equipment is backloaded to the supporting second line EME organization or technicians are sent forward to complete the repairs at the location of the breakdown. If the decision is made to backload the equipment to the supporting second line unit, the recovery section is responsible for moving the equipment from the unit to the ECP. The supporting second line organization is responsible for control of the equipment in the ECP and for its recovery to the second line location. Although the ECP may be located near the unit A Ech and be within the unit's boundaries, it is the responsibility of the second line EME organization to site and man it.

61. B-GL-314-005/FP-001 Recovery Manual outlines specific recovery procedures. In addition, Chapter 7 of this manual details some special recovery tasks including recovery posts in support of assault water crossings, road movement, controlled demolitions and minefield gaps.

## **TECHNICAL INSPECTIONS**

62. The equipment operators are responsible for regular inspections of their equipment to ensure that small defects are repaired quickly. The operator inspects the equipment before and after each usage where possible. Combat operations require continued use of equipments, often at maximum design operating levels for extended periods of time. It is imperative that the equipment be inspected during any quiet periods or lulls in the action to ensure that it is ready for future operations. Detailed inspection procedures are contained in operator manuals and instructions.

63. During operations, periodic technical inspections are the exception rather than the rule. The unit is only capable of completing technical inspections during quiet or rest periods. Therefore, operator inspections and unit inspections take on added importance.

64. Unit inspections are ordered periodically by unit commanding officers to ensure that their equipment is complete and serviceable and that the standard of unit maintenance is at a satisfactory level. The inspection is normally conducted by the commanding officer or the company, battery or squadron commanders. The unit maintenance officer often accompanies the commanding officer to provide any technical advice.



65. When internal ordnance engineering inspections are ordered it is important that the unit maintenance officer carry out the inspections in a centralized location, normally the maintenance platoon or troop site. In this way inspection standards are consistent for all sub-units and the commanding officer receives a better assessment of the standard of inspection and servicing in the unit. On completion of the periodic inspection all faults found are corrected before major defects result.

66. The unit equipment is also inspected in a formation ordnance engineering inspection on order of the formation commander. These inspections are organized by the formation G4 Maintenance to provide the formation commander with information concerning:

- a. the condition of the unit's equipment;
- b. the number of modifications outstanding; and
- c. an assessment of the unit maintenance platoon or troop.

67. In addition to the inspections outlined above, technicians perform in and out inspections each time that a piece of equipment requires maintenance.

## **MODIFICATIONS**

68. The purpose of modifications is to improve equipment for safety, performance, and reduced maintenance and prevention of damage, and to correct faults or shortcomings which show up after it is in service. Minor modifications are not complex and are frequently done at the unit maintenance level, while major modifications are completed at higher maintenance levels.

69. The tactical situation often dictates when modifications can be completed. The unit maintenance officer is required to programme modifications during quiet periods although forward repair teams may be required to complete urgent modifications at any time.

## **SECTION 6**

### **COMBAT, COMBAT SUPPORT AND COMBAT SERVICE SUPPORT UNIT MAINTENANCE**

#### **GENERAL**

70. This section outlines the organizations, method of operation, and integral maintenance support for each of the combat, combat support, and combat service support units. Emphasis is placed on how the maintenance organization supports its parent unit and on the particular activities which are undertaken. The unit maintenance organizations discussed are:

- a. an infantry battalion maintenance platoon;
- b. an armoured regiment maintenance troop;
- c. an armoured cavalry regiment maintenance troop;
- d. an artillery regiment maintenance troop;
- e. an anti-armour battalion maintenance platoon;
- f. a field engineer regiment maintenance troop;
- g. a headquarters and signals regiment maintenance troop;
- h. a tactical aviation squadron land maintenance section;
- j. a service battalion unit maintenance platoon or section;
- k. a field ambulance maintenance section; and
- m. a military police company maintenance section.

#### **INFANTRY BATTALION MAINTENANCE PLATOON**

71. The organization of an infantry battalion is shown in Figure 4-4. Each battalion consists of four identical infantry companies, a combat support company with a reconnaissance platoon, a mortar platoon, an anti-armour platoon, an assault pioneer platoon, and an administration company. The administration company has the combat service support elements which are integral to the battalion, including the maintenance platoon.

72. The role of the infantry is to close with and destroy the enemy. The infantry is the only arm which can occupy and hold ground. Generally, an infantry battalion in defence is employed as a complete entity within an area with a frontage of from 4 to 10 km. An infantry battalion lacks armour and requires support from tanks. The formation commander often forms battle

groups by attaching an armoured squadron to the infantry battalion. In the same way, the infantry battalion may have a company detached to an armoured regiment to form an armoured battle group. The infantry battalion is often allocated additional support from the artillery, engineers, anti-armour, and air defence resources.

73. In an infantry battalion maintenance platoon, the large majority of the technicians are vehicle technicians which make up tracked and wheeled repair sections and the recovery section. The ancillary section is composed of weapon technicians, fire control technicians, radar technicians, and materials technicians. The repair parts section is manned by from one to three supply technicians and a clerk.

74. When operating as a battalion the maintenance platoon is normally centrally controlled. The unit maintenance officer directs all maintenance operations and ensures that maintenance resources are positioned where they are required. When one of the companies is detached to another unit or task, the unit maintenance officer may detach, under command, a portion of the maintenance resources, such as vehicle and weapons MRTs. This gives the company commanders greater flexibility and ensures rapid maintenance support when the company is operating in isolation from the rest of the battalion.

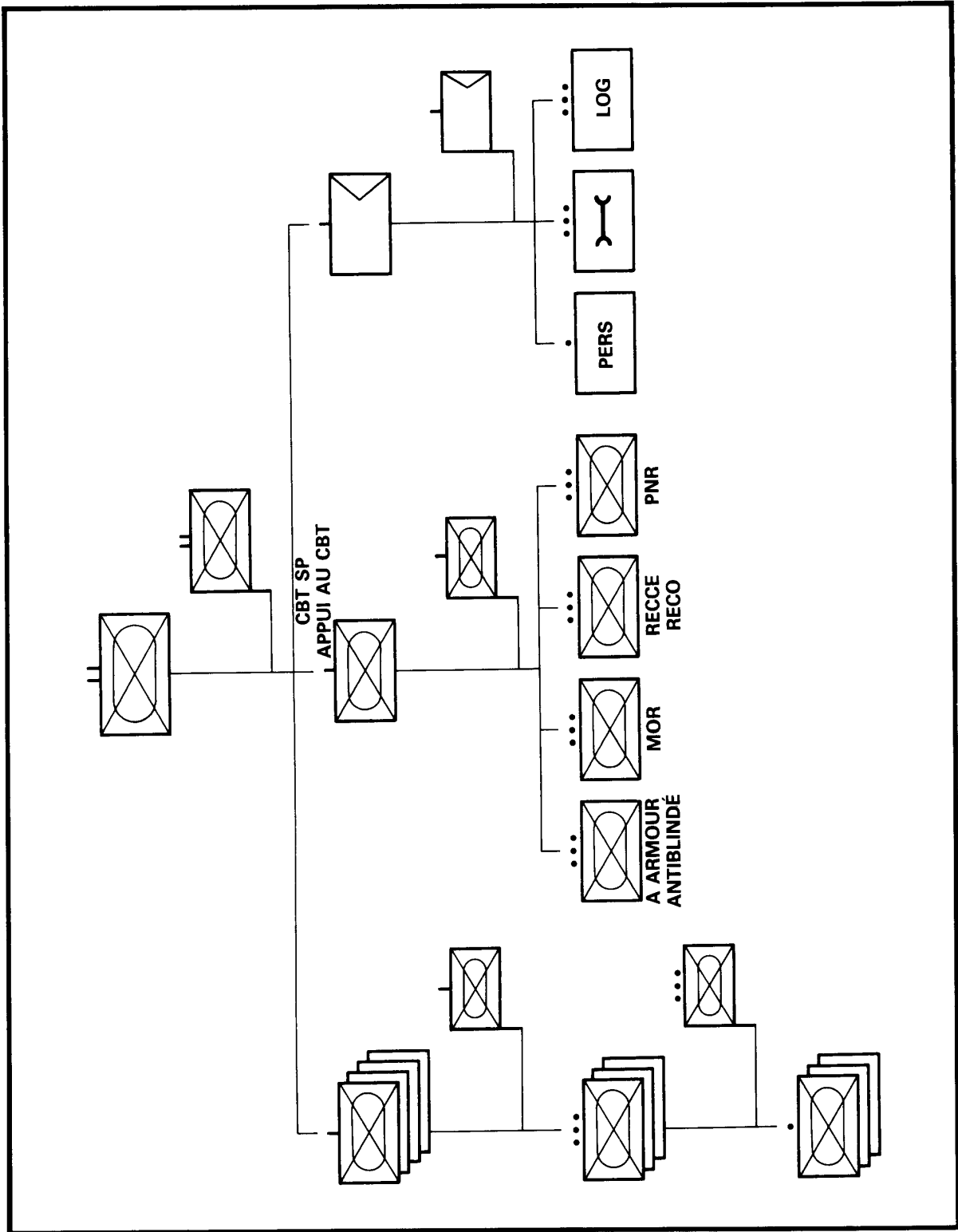


Figure 4-4 An Infantry Battalion

## **ARMoured REGIMENT MAINTENANCE TROOP**

75. The role of the tank unit is to defeat the enemy through the aggressive use of firepower and battlefield mobility.

76. An armoured regiment is composed of four identical armoured squadrons, each with 19 tanks, a reconnaissance troop, and an administration company, with a maintenance troop, logistics troop, transportation troop, administration troop, and rations section. Each squadron has four troops of four tanks and an administration troop which holds a transport section, a quartermaster section, and a maintenance section. Figure 4-5 outlines the organization of an armoured regiment.

77. An armoured regiment can be employed as an integral unit or can have squadrons detached to form infantry battle groups. Armour conducts highly mobile land warfare primarily offensive in nature and characterized by mounted combat through the use of armoured fighting vehicles. Armoured forces include tank, armoured cavalry, and armoured reconnaissance units.

78. An armoured regiment maintenance troop operates on a decentralized basis. Each squadron has a maintenance section composed of an ARV and MRTs with weapon technicians and fire control systems technicians. The unit maintenance troop is much larger than the maintenance platoon in an infantry battalion, with approximately 50 personnel not including the EME technicians in the armoured squadrons. There are more weapons technicians and fire control systems technicians due to the complexity of the tank weapon system.

79. An armoured regiment has five ARVs, one with each armoured squadron maintenance section and one with the maintenance troop. The ARVs are critical vehicles within an armoured regiment and are normally manned by the best vehicle technicians within the unit. The ARV commander normally also commands the armoured squadron's maintenance section.



## ARMoured RECONNAISSANCE REGIMENT MAINTENANCE TROOP

80. An Armoured Reconnaissance Regiment is a divisional resource in both the mechanized and armoured divisions. The role of the Armoured Reconnaissance Regiment is to obtain and relay timely information about the enemy and the ground and to contribute to battlefield security. A regiment is composed of two cavalry squadrons, an armoured squadron, a survey squadron, and an administrative squadron. Each reconnaissance squadron has three reconnaissance troops, a support troop, a mortar troop, and an administration troop which has a maintenance section. The armoured squadron is exactly the same as an armoured squadron in an armoured regiment, containing a maintenance section in its administration troop. The survey squadron has two survey troops and an administration troop which also contains a small maintenance section. The administrative squadron is made up of maintenance, logistics, transportation, and administration troops. The organization of an armoured reconnaissance regiment is shown at Figure 4-6.

81. The armoured reconnaissance regiment is employed as the divisional forward elements in both offensive and defensive operations. In general, the armoured reconnaissance regiment is deployed along the divisional frontage which can be as wide as 20 km. The reconnaissance squadrons and the armoured squadron often work independently, and therefore have some service support elements integral to the squadrons. On completion of the screen or guard battle in defensive operations, the armoured reconnaissance regiment withdraws through the forward brigades and the main defensive battle is joined. During this stage the armoured reconnaissance regiment is withdrawn to the rear of the divisional area and is either tasked with rear area security or as flank guard.

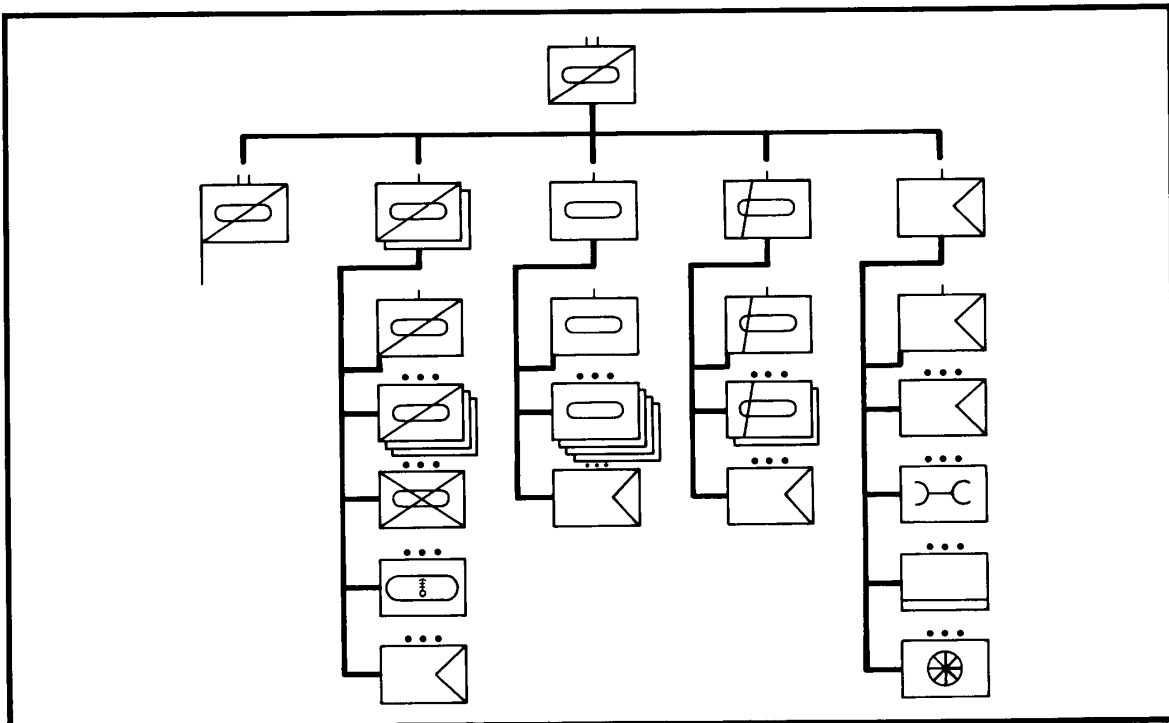


Figure 4-6 An Armoured Reconnaissance Regiment

82. The armoured reconnaissance regiment maintenance troop is approximately the same size as that of the armoured regiment and also operates on a decentralized maintenance basis. Each reconnaissance squadron maintenance section is equipped with an APC recovery vehicle and MRTs with weapon technicians and fire control systems technicians. The maintenance troop has fewer weapon technicians than the armoured regiment maintenance troop but has more fire control systems and radar technicians. It also has an ARV and wheeled recovery vehicles. Due to the widespread manner in which the regiment operates and the lack of time for dispatching of recovery vehicles during screen and guard actions, the recovery ability is augmented by issuing tow bars to each reconnaissance vehicle and tank.

### **ARTILLERY REGIMENT MAINTENANCE TROOP**

83. Artillery provides the principle indirect fire delivery systems of land forces. They provide offensive and defensive fire to neutralize or destroy targets primarily of concern to the other arms. Artillery units are equipped with guns, howitzers, rockets, or guided missiles. Artillery forces include field artillery and air defence artillery.

84. The role of field artillery is to assist in the defeat of the enemy by indirect fire and the role of the air defence artillery is to prevent the enemy from interfering from the air with land operations.

85. The division artillery brigade provides the indirect fire support for the division. There are three medium close support regiments, a heavy general support regiment, a composite air defence regiment, and a multiple rocket launcher regiment. Only the organization of the medium-close support regiment is shown in Figure 4-7. Although each type of regiment differs in organization there are enough similarities in maintenance support to group them together.



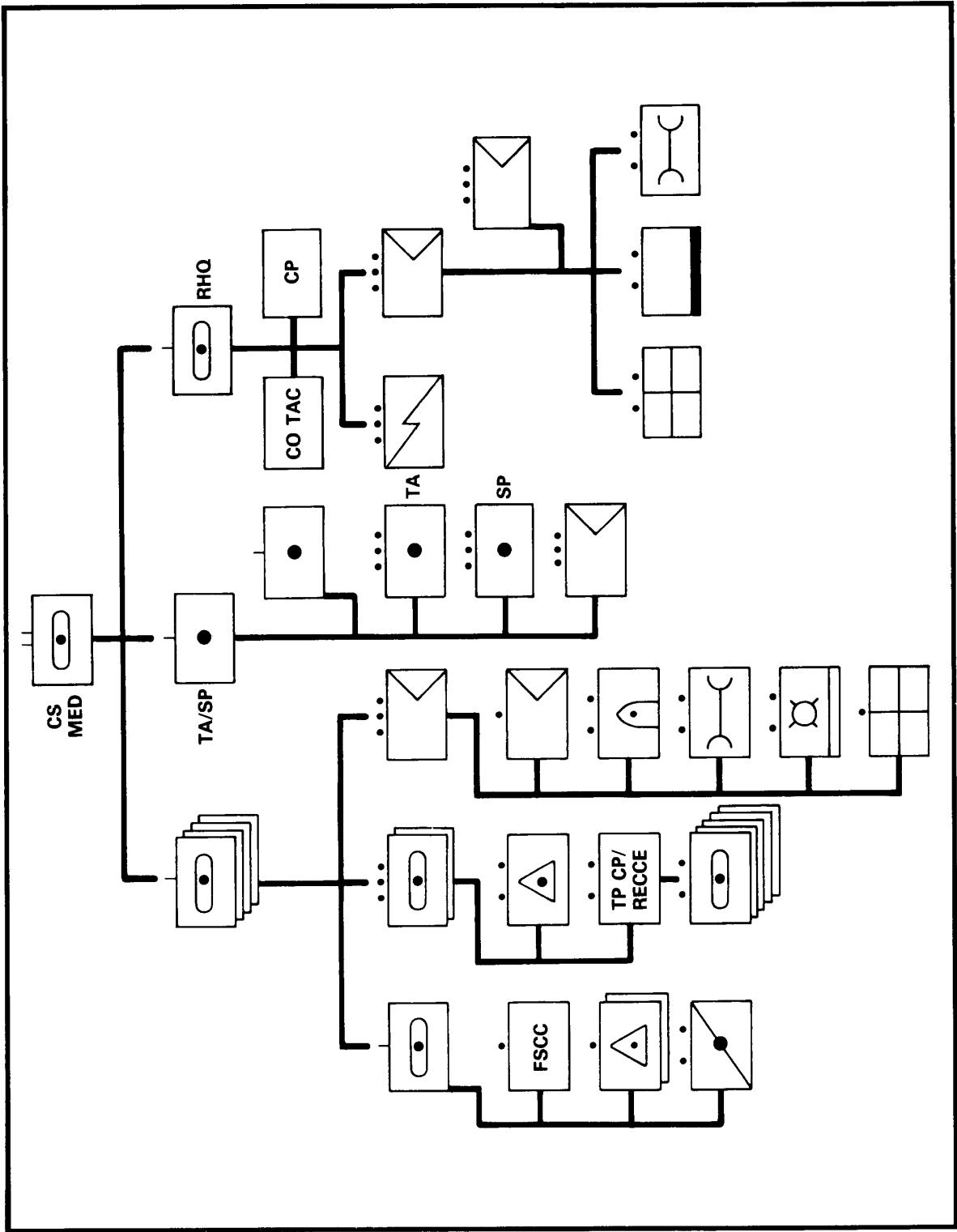


Figure 4-7 A Medium-Close Support Regiment

86. The medium close support regiment is shown in Figure 4-7. It is composed of four ten-gun batteries - each of which has a maintenance detachment as part of its support troop - and a regimental headquarters which has a maintenance section as part of its administration troop.

87. A heavy general support regiment has three batteries of four large calibre guns, normally 203 mm or larger. A composite air defence regiment has two batteries of low-level surface-to-air missiles, and two batteries of low-level guns. A multiple rocket launcher regiment is equipped with three batteries of ten multiple rocket launchers.

88. All the regiments within the artillery brigade operate in a similar fashion. Although the regimental headquarters co-ordinates the provision of the firepower, the batteries may be allocated to different tasks and move independently. Air defence resources tend to be dispersed throughout the area to provide an air defence umbrella. Each battery, whether it be field artillery or air defence, has its own maintenance detachment which provides immediate support.

89. As already outlined, the field artillery and air defence regiments use a system of decentralized maintenance. These units have vehicle technicians, weapon technicians, and fire control systems technicians in each battery. The unit maintenance officer is called the technical adjutant (Tech Adjt) and often commands both the maintenance and transport sections. The unit maintenance sections are relatively small, with approximately 30 technicians, and have a higher percentage of fire control systems and weapons technicians. Vehicle technicians often have specialty training in the maintenance of artillery or air defence weapon systems.

#### **ANTI-ARMOUR REGIMENT MAINTENANCE PLATOON**

90. Within the division there is an anti-armour battalion which is organized as shown in Figure 4-8. It has three companies of 24 long-range anti-armour weapons (LRAAW) and an administration company which has a maintenance platoon.

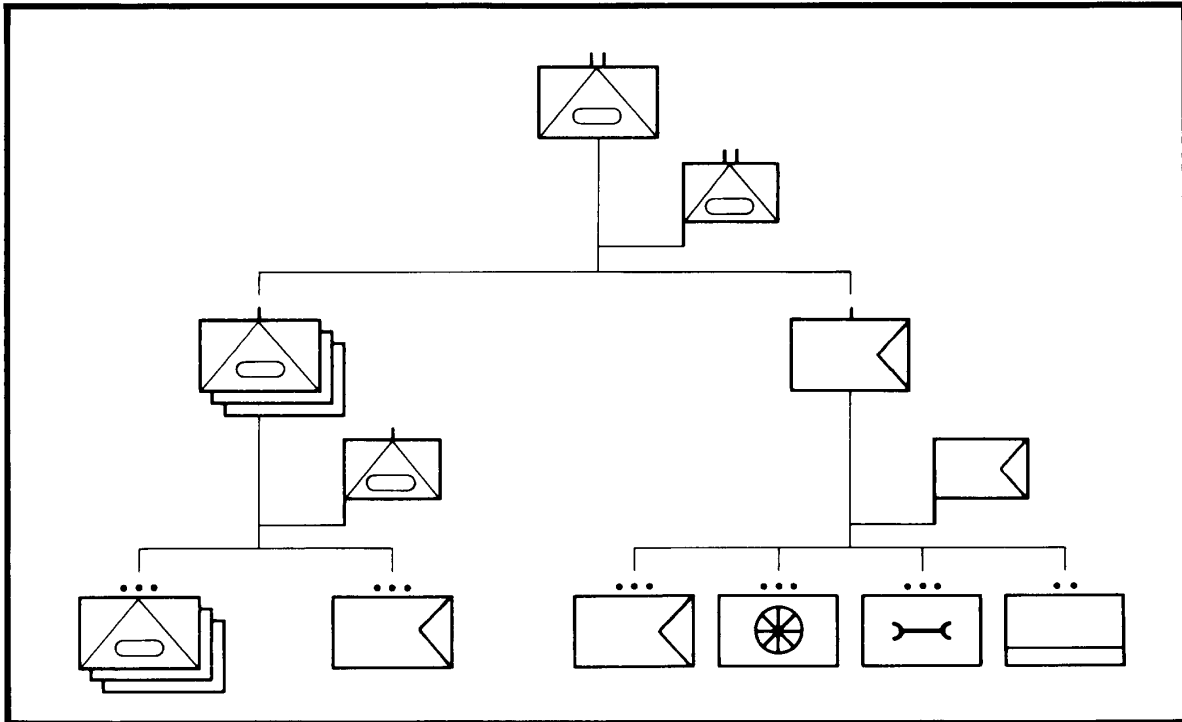


Figure 4-8 An Anti-Armour Battalion

91. The anti-armor battalion is an infantry unit used in the anti-armor role. The anti-armor companies are often attached to the forward brigades and can be further divided into platoon or section of two and four anti-armor detachments. The anti-armor detachments are mobile and capable of destroying enemy armor at ranges of up to 3 500 meters. They are employed well forward and to the flanks to utilize maximum ranges and normally have a number of prepared firing positions.

92. An anti-armor battalion maintenance platoon is small, with approximately twenty personnel. The majority of the technicians are vehicle technicians and fire control systems technicians. When a company is detached it is normal procedure that MRTs with vehicle technicians and fire control systems technicians are allocated to the company. The maintenance platoon also has one or more weapons technicians, a materials technician, a supply clerk, and an administration clerk.

### FIELD ENGINEER MAINTENANCE TROOP

93. The division engineer group is composed of two field engineer regiments, an engineer support regiment, and two armored engineer squadrons. The role of engineers within the division is to assist friendly troops to live, move, and fight, and to assist in denying the same ability to the enemy. The secondary role is to fight as infantry in the defence in an emergency. The field engineer regiments provide the traditional "sapper" functions of laying and clearing minefields, developing and breaching obstacles, and controlling most demolitions. The organization of a field engineer regiment is shown in Figure 4-9.

94. Each field engineer regiment is composed of three field engineer squadrons of three field troops, and an administration squadron which has a maintenance troop.

95. Engineer equipment is highly specialized and includes multi-purpose engineer vehicles (MPEVs), APCs, armoured vehicle-launched bridges (AVLBs), armoured engineer vehicles (AEVs), etc. This equipment is usually required well forward in both offensive and defensive operations.

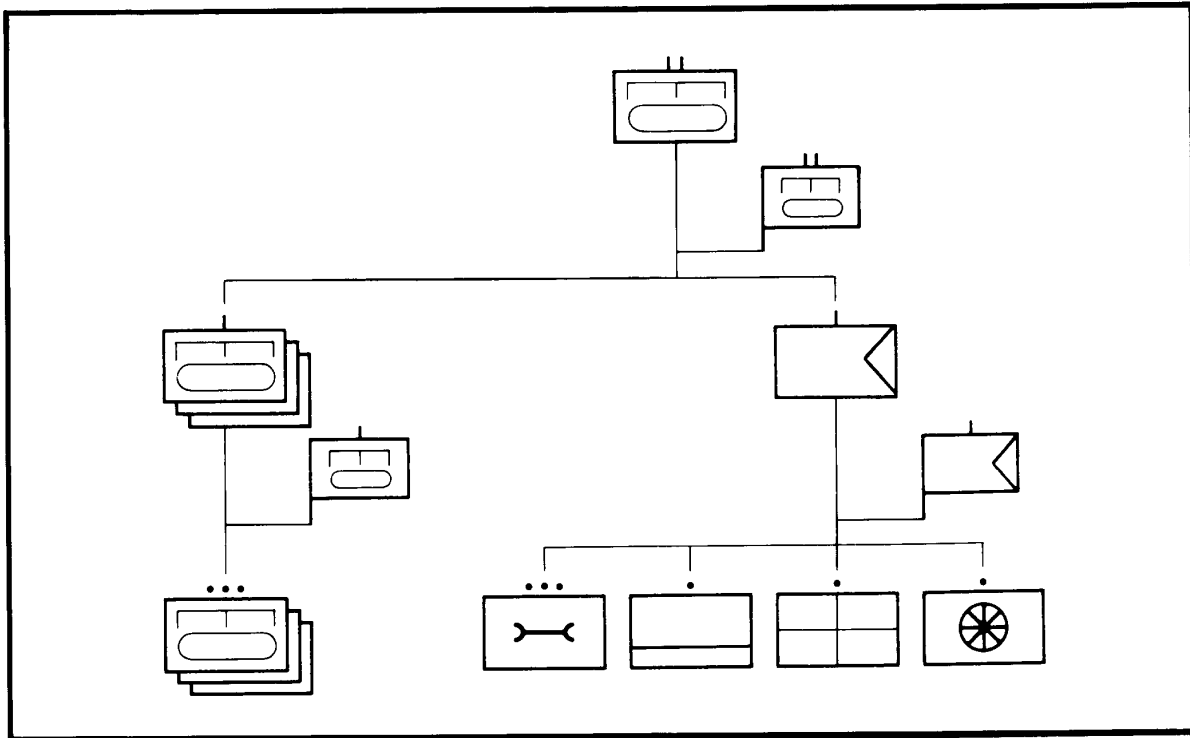


Figure 4-9 A Field Engineer Regiment

96. The unit maintenance officer has a maintenance troop of medium size. The majority of the technicians are vehicle technicians with specialized training on engineer equipments. The unit employs centralized maintenance but sends a vehicle MRT with a field squadron when detached. When heavy equipment resources are allocated to field engineer regiments, MRTs from the division engineer support regiment come with them. The maintenance troop is manned with only a few weapons technicians and fire control systems technicians and has one or more materials technicians.

#### HEADQUARTERS AND SIGNALS REGIMENT MAINTENANCE TROOP

97. A division headquarters and signals regiment provides commanders and their staffs with a means to exercise command and control and deny and exploit the enemy's use of the electromagnetic spectrum through electronic war-fare. It is organized as shown in Figure 4-10.

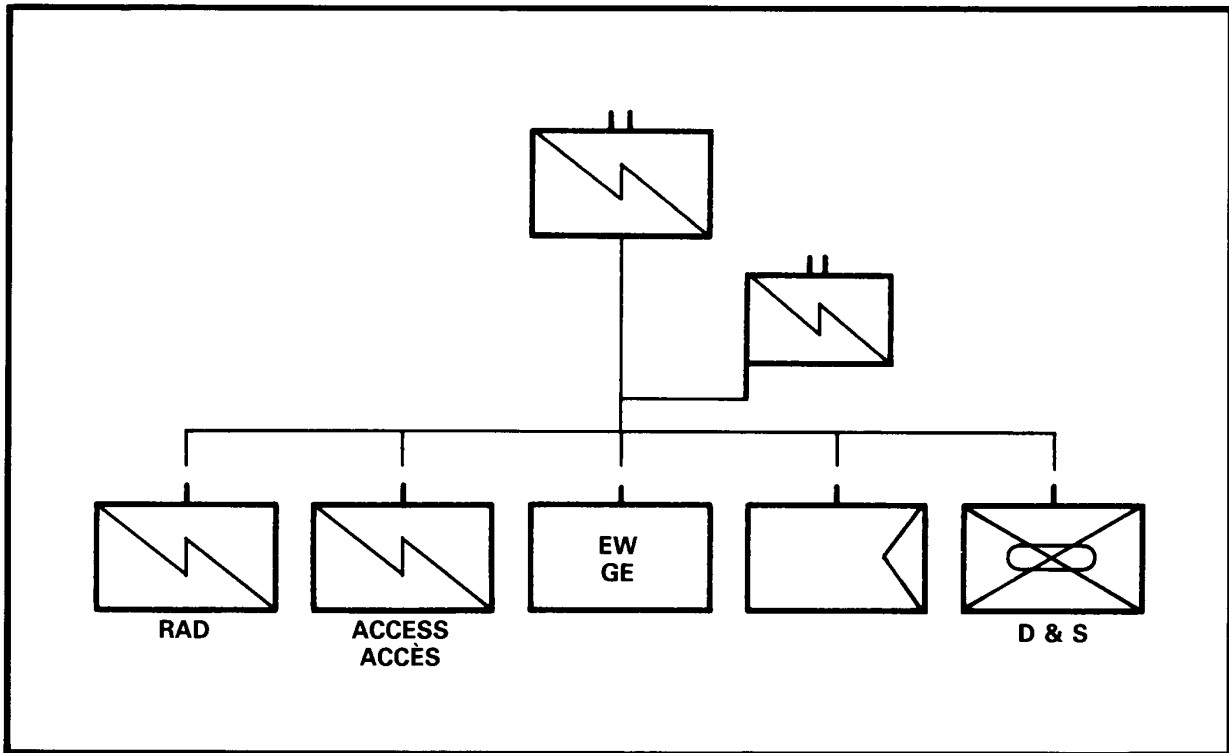


Figure 4-10 A Headquarters and Signal Regiment

98. A division headquarters and signals regiment is normally responsible for establishing a division main and an alternate headquarters. The electronic warfare squadron is normally deployed throughout the division.

99. Within the administration squadron there is a vehicle maintenance troop and a communications maintenance troop. The vehicle maintenance troop is relatively small and has a predominance of vehicle technicians. There are a few weapons, fire control systems, and materials technicians. The vehicle maintenance troop also has a repair parts section, which is normally shared with the communication maintenance troop.

100. The communications maintenance troop is responsible for first line repair of all communications equipment within the regiment and for second line repair of all secure communications and EW equipment within the division. It is commanded by a CELE officer.

#### **TACTICAL AVIATION SQUADRON LAND MAINTENANCE SECTION**

101. Within the division's tactical aviation wing there are four light observation helicopter (LOH) squadrons, a utility tactical transport helicopter (UTTH) squadron, an attack squadron, and an air maintenance squadron. Each helicopter squadron is organized in a similar fashion, with two helicopter flights, a service-support flight, and a service flight. The organization of an observation squadron is shown in Figure 4-11.

102. The land maintenance section in the LOH squadron (and all other tactical aviation squadrons) is in the service support troop. The section is very small with approximately 10 personnel and is commanded by a vehicle technician warrant-officer or sergeant. The section has mostly vehicle technicians with possibly one weapon technician land. The maintenance section operates under a system of centralized maintenance.

#### **SERVICE BATTALION UNIT MAINTENANCE PLATOON OR SECTION**

103. Each of the DISGP service battalions has a small maintenance section within the administration platoon. The maintenance section is responsible for first line maintenance support of the service battalion's equipment. It operates using a centralized maintenance system. Figure 4-12 shows the organization of the DISGP service battalion. Note that the maintenance company provides second line maintenance support to the brigade and is discussed in Chapter 5.

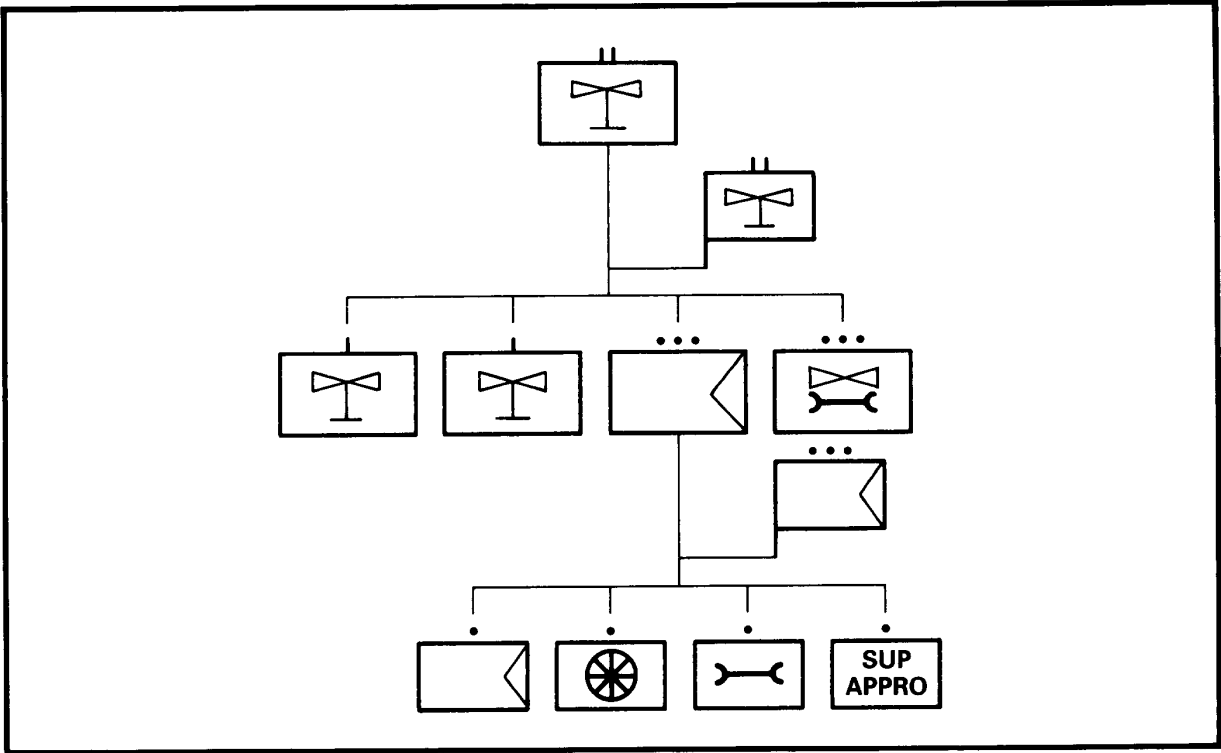


Figure 4-11 An Observation Squadron

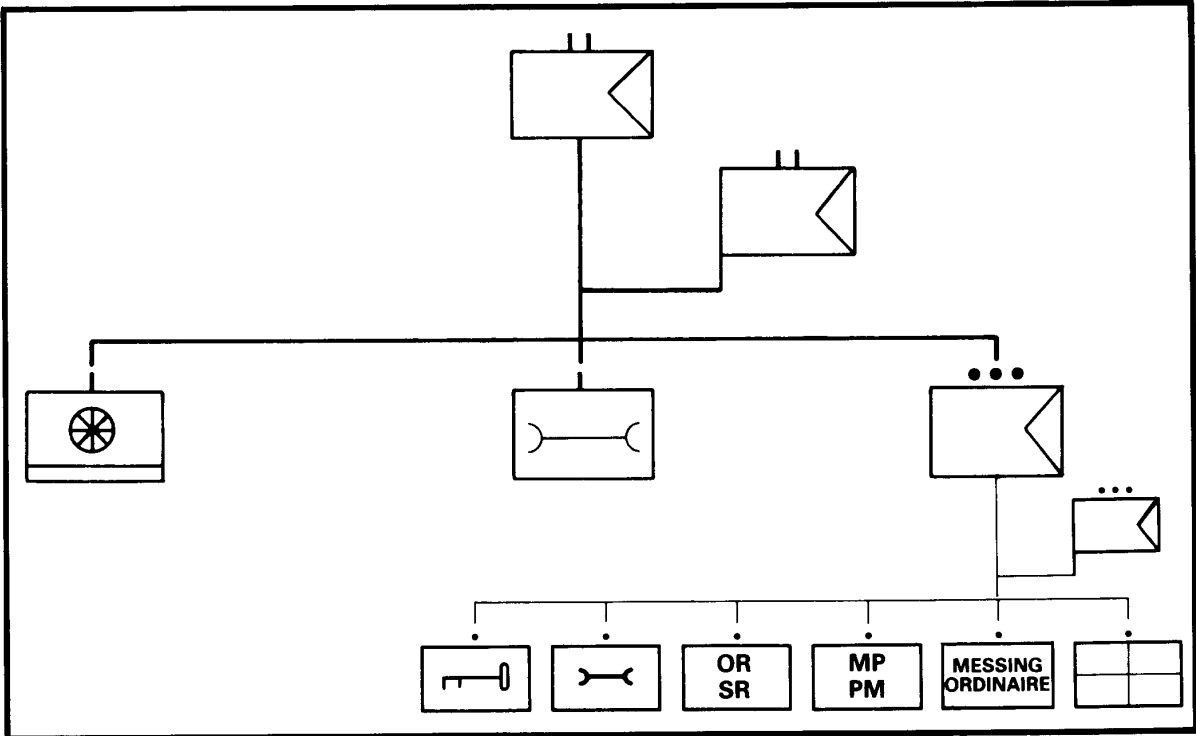


Figure 4-12 A DISGP Service Battalion

104. An independent brigade group is established with integral artillery, engineers, air defence, military police, tactical aviation, medical, and combat, service support resources. The brigade group service battalion is larger than the DISGP service battalion due to the greater number of units which require support. The independent brigade group service battalion receives its first line support from its administration company which includes a maintenance platoon. The maintenance platoon is predominantly manned with vehicle technicians, but also has a few weapons technicians, fire control systems technicians, and materials technicians. It operates on a centralized maintenance basis. Figure 4-13 shows a brigade group service battalion. Note, once again, that the maintenance company provides second line support to an independent brigade group and is discussed in Chapter 5.

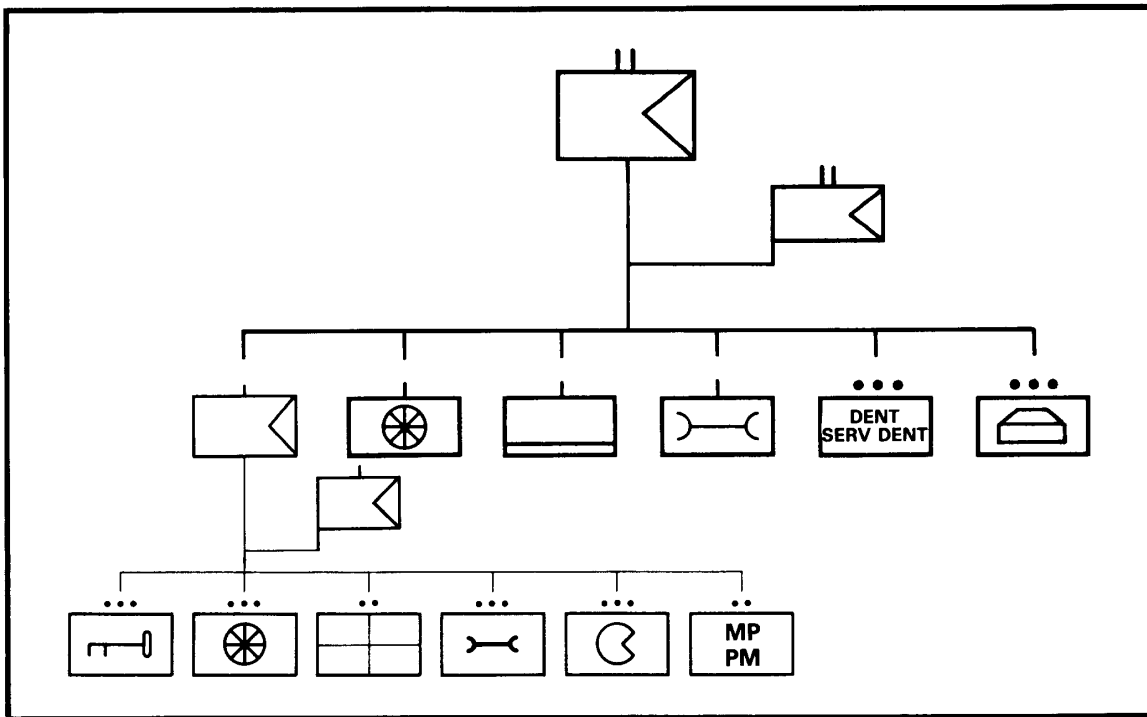


Figure 4-13 A Brigade Group Service Battalion

### FIELD AMBULANCE MAINTENANCE SECTION

105. A division medical group (Div Med Gp) consists of a headquarters and signal squadron, three field ambulances, and a field medical company. Field ambulances are normally assigned in support of brigades; the field medical company in support of division troops. Each field ambulance has an evacuation company, a treatment company, and a services company. The services company is made up of a logistics platoon and a maintenance platoon. The services company provides the unit's first line maintenance, transport, supply, and food service elements. Figure 4-14 shows the organization of a field ambulance.



106. The field ambulance is deployed in the brigade area with elements of the evacuation company located forward, possibly into the battalion or battle group areas, to provide for the prompt evacuation of personnel casualties. Evacuation stations are established well forward and ambulance platoon vehicles operate a continuous shuttle of patients to medical facilities located farther to the rear where emergency medical care is continued prior to the patient being evacuated to a supporting field hospital or returned to duty.

107. The maintenance section is small, consisting almost entirely of vehicle technicians. The section is centrally organized but may send technicians forward to the ambulance stations to provide first line support to the ambulances.

#### **MILITARY POLICE COMPANY MAINTENANCE SECTION**

108. A division military police company has four military police platoons, a headquarters and administration platoon, and an investigation section. Usually a military police platoon will be attached to each brigade. The headquarters and administration platoon has a small maintenance section to provide first line maintenance support to the vehicles. Figure 4-15 shows the organization of a division military police company.

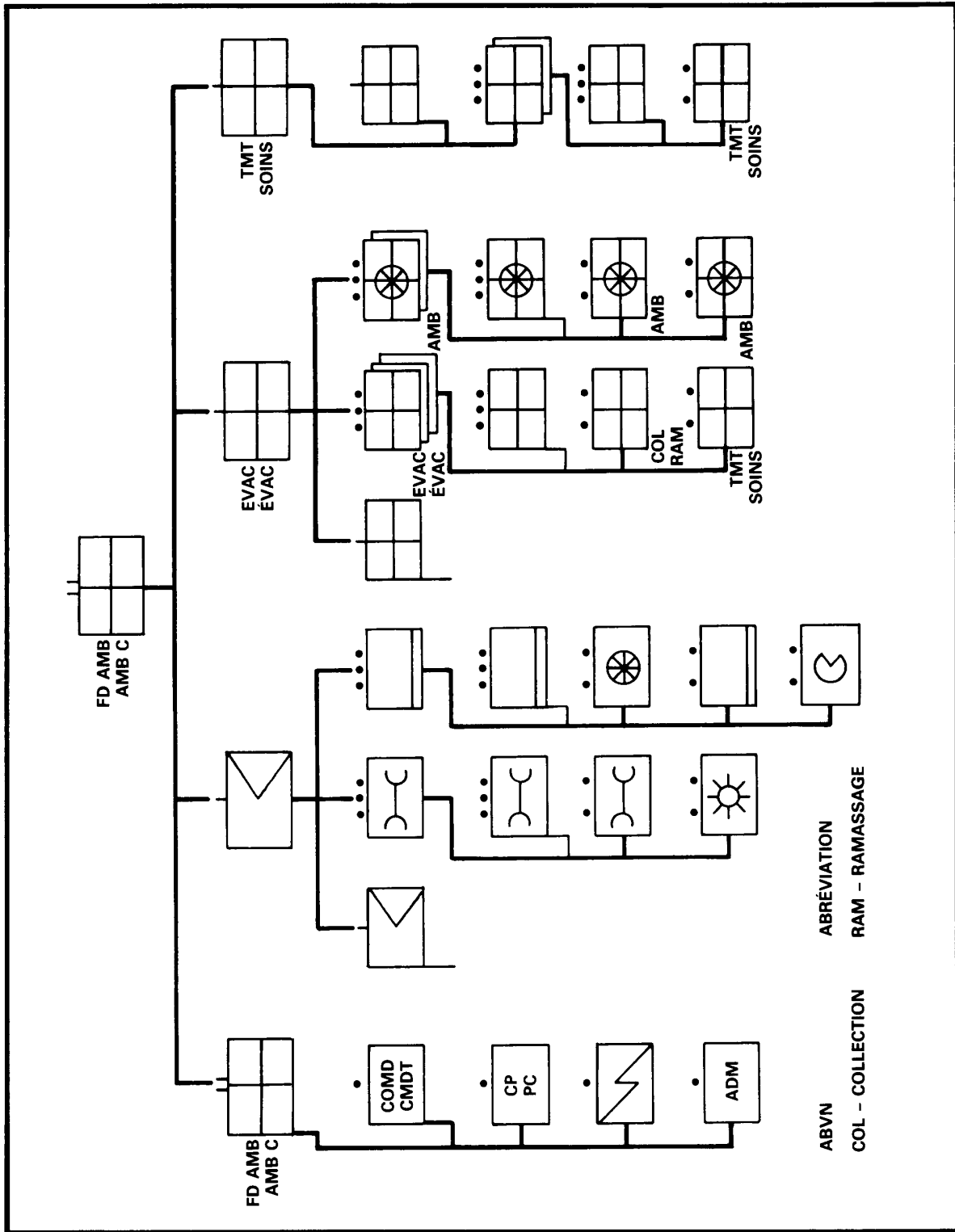


Figure 4-14 Field Ambulance

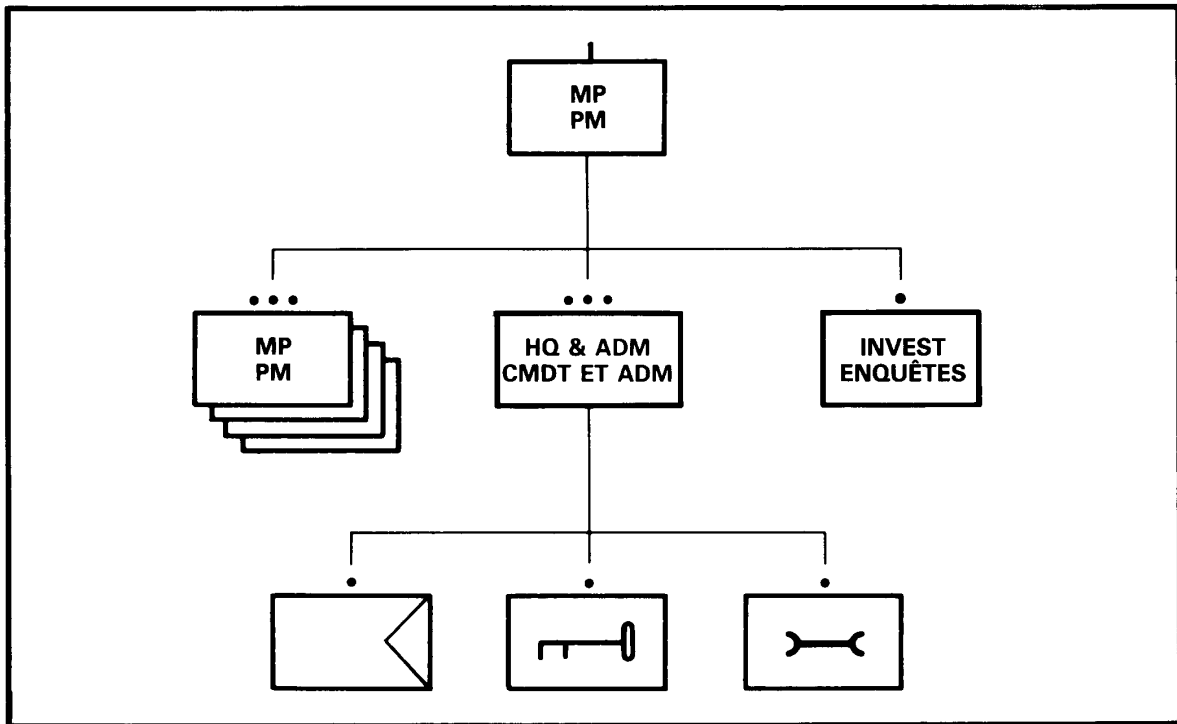


Figure 4-15 A Military Police Company

109. The maintenance section operates on a centralized basis, providing support to the military police sub-units in the division headquarters area. The military police platoons attached to the brigades normally arrange for vehicle maintenance support from the brigade headquarters and signal squadron vehicle maintenance section or the DISGP service battalion.

### **BATTLE GROUP MAINTENANCE SUPPORT**

110. When established, sub-unit repair detachments are under command of the battle group commander. The maintenance officers retain respective technical controls over routine maintenance matters in the sub-units through their repair section commander who controls the detachments. On important or controversial maintenance matters the maintenance officers deal directly with the battle group commander.

111. Although two maintenance sections, supporting different combat elements in a battle group, are sometimes co-located for movement or administration purposes, they remain under command of their subunit respectively.

112. The technical control channels and procedures are recognized and necessary for the optimum use of the battle group maintenance resources. These channels should be used to the fullest extent for transacting all aspects of maintenance matters.

## **CHAPTER 5**

### **SECOND LINE EME SUPPORT**

#### **SECTION 1**

#### **GENERAL**

#### **INTRODUCTION**

1. After unit maintenance support the next higher line of EME support is second line which is concentrated at the division and brigade group level. The second-line EME organizations within a division are the maintenance companies of the DISGP service battalions and the DISGP maintenance battalion.
2. Armour, cavalry, and brigade groups are the only brigade level fighting formations to possess integral second line combat service support in that they have a service battalion.

#### **RESPONSIBILITIES OF SECOND LINE EME ORGANIZATIONS**

3. The responsibilities of EME second-line organizations include:
  - a. provision of level two and limited level three maintenance services to supported units and formations;
  - b. provision of level one maintenance services to supported units lacking integral first line EME resources; and
  - c. assistance to EME first line organizations upon request.
4. When a unit maintenance organization has excessive amounts of level one work the supporting second-line EME organization is requested to assist. The supporting organization provides repair teams which are attached to the unit's maintenance platoon or troop. The maximum amount of equipment is returned to a battleworthy state.

#### **ORGANIZATIONAL FACTORS**

5. The factors which influence the organization of a second-line EME organization include:
  - a. the amount and type of equipment to be supported;
  - b. the concept of operation of the supported formation; and
  - c. time and space.

6. The EME organizational structure discussed in Section 2 of Chapter 3 outlines the principal design of any EME organization. Second-line maintenance companies and maintenance battalions generally follow the structure shown, but the organization is modified to meet the support requirements. The number of each type of technician depends upon the type and amount of equipment within the formation. For example, an armoured division has more vehicle technicians, fire control systems technicians, weapons technicians, and materials technicians than a mechanized division, because the additional tanks require more support. Similarly, the second-line EME organizations supporting the corps troops, such as the artillery division, are structured to meet the specific equipment to be maintained.

7. Second-line EME organizations have the same mobility as the formations which are supported. A brigade service battalion maintenance company is structured to provide forward repairs into the forward unit areas. The maintenance battalion of the DISGP, is structured to provide support to the division troops and also provide forward repair services to the brigades when requested. These organizations are discussed more fully in Sections 2 and 4.

8. The third factor which influences the organization of a second line EME organization is time and space. An EME company or battalion may re-organize to meet a particular time and space requirement. An example of this occurs when the service support organizations are far behind the forward units and transportation to and from the forward area becomes a problem. The operational commander may decide to have a forward logistics group (FLG) move forward to provide timely support. The second-line EME organization restructures to provide a section- or platoon-sized element which forms part of the FLG and provides the necessary support from the forward area.

9. Second line EME organizations are flexible in that they can be restructured easily to meet the operational situation. The maintenance company or battalion is mobile and carries all of its equipment in the vehicles provided. The senior EME officer regroups his resources as necessary to provide the supported units and formations with the best possible EME services.

## **METHOD OF OPERATION**

10. The detailed manner in which the DISGP service battalion maintenance company, the brigade group service battalion maintenance company, and the DISGP maintenance battalion operate are discussed in the subsequent sections. In general, however, each of these organizations support affiliated units and formations including the provision of forward repair and recovery.

11. Within each EME second line organization, it is best to provide an affiliation between EME personnel and the supported organization. For this reason DISGP service battalions are affiliated with the forward brigades. The division commander has the flexibility of changing this affiliation at any time but under normal operations would allow the affiliation to continue because of the cohesiveness which such an affiliation provides.

12. Maintenance companies and battalions within a division or brigade group service battalion must be prepared to provide second line services well forward when required. The ability to have technicians move as far forward as possible and effect repairs or recovery means that the equipment can be returned to the battle in as short a time as possible. EME battalion and company commanders evaluate each operation with a view of how best to provide support.

13. Second line EME organizations have the responsibility of manning and establishing equipment collecting points (ECPs), controlling the equipment in the ECP, and backloading the equipment.

## SECTION 2

### THE DISGP SERVICE BATTALION

#### INTRODUCTION

14. Second-line combat service support, except medical and military police services, required for the immediate support of the division is provided by the DISGP service battalions. Each of the three DISGP service battalions is designed to be able to respond quickly to the service support requirements of the high intensity battlefield. Details of the operation of a DISGP service battalion are outlined in Chapter 5 of B-GL-312-002/FP-001, Combat Service Support Volume 2 - The Division Service Group in Battle.

15. The DISGP service battalion consists of a headquarters, two small companies, and an administration platoon. The headquarters contains the operations and planning centre called the Logistics Operations (Log Ops) Centre. The two companies are a supply and transport (ST) company and a maintenance company. The administration platoon provides the elements responsible for the DISGP service battalion's own first-line support. The maintenance section of the administration platoon is discussed in Chapter 4.

#### ORGANIZATION

16. The maintenance company of a DISGP service battalion is organized with a headquarters, two heavy mobile repair platoons, two medium mobile repair platoons, a weapons and ancillary platoon, and a repair parts platoon. Figure 5-1 shows this organization.

17. **Headquarters.** The company headquarters includes the command element, a technical administration section, and a small unit administration section. The command element includes the OC, 21C CSM and ETSM. The administration sections complete the record keeping function for all maintenance activities and the personal administration for members of the company.

18. **Heavy Mobile Repair Platoons.** These platoons complete forward repairs to tanks and light armour vehicles (LAVs). The platoons consist of tank MRTs and LAV MRTs which are equipped with the necessary tools and heavy lift capability for completion of major component changes.

19. **Medium Mobile Repair Platoons.** These platoons specialize in repairs to the medium tracked or armoured vehicles in the division, as well as to high priority wheeled vehicles. The platoons are organized into sections dedicated to armoured personnel carriers, reconnaissance vehicles, and wheeled vehicles.

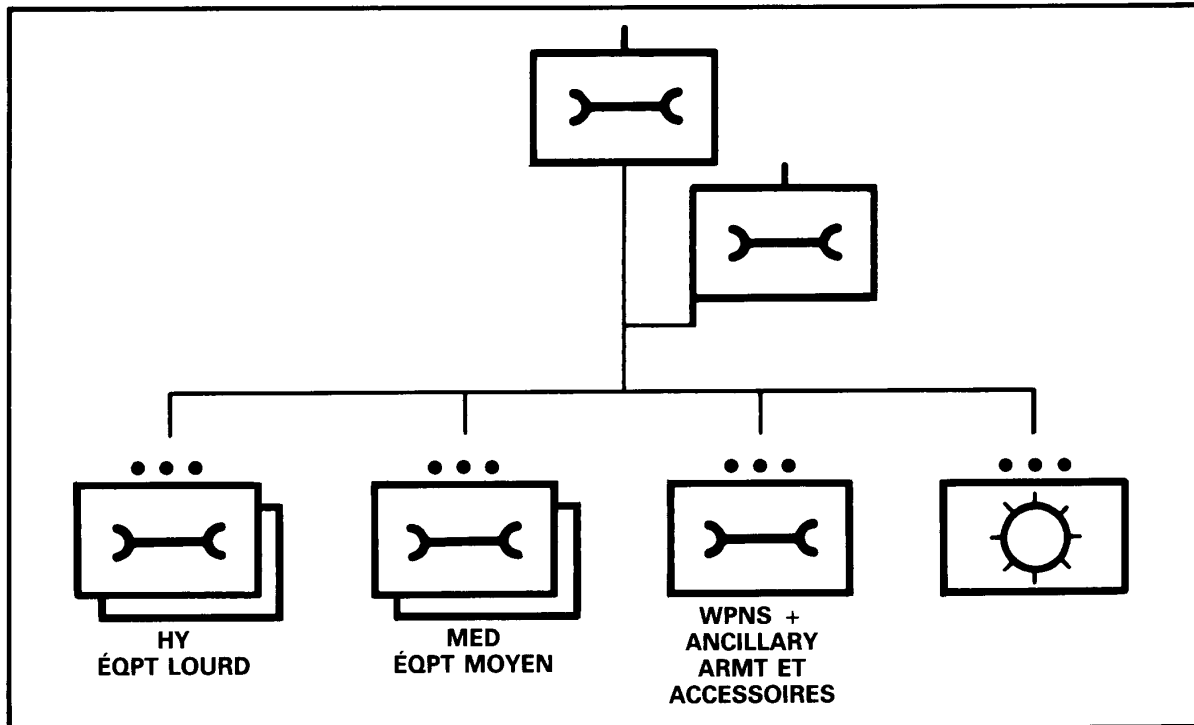


Figure 5-1 Maintenance Company of a DISGP Service Battalion

20. **Weapons and Ancillary Platoon.** This platoon is organized to repair weapons systems, fire control systems, communication and electronics systems, and radar systems which are critical to the battle and must be repaired forward. It also includes heavy material welding teams which can be deployed forward as necessary.

21. **Repair Parts Platoon.** The repair parts platoon provides a limited range of repair parts for the maintenance company, usually 15 days.

## CAPABILITIES

22. The maintenance company of a DISGP service battalion is capable of providing immediate EME second-line services to a brigade in combat. The heavy and medium mobile repair platoons and the MRTs in the weapons and ancillary platoon are provided to complete repairs to armoured fighting vehicles, other armoured vehicles including reconnaissance vehicles and armoured personnel carriers, and priority wheeled vehicles. Other vehicles are the responsibility of the DISGP maintenance battalion.

23. **Mobile Repair.** Each of the platoons is equipped with MRT vehicles capable of providing their own heavy lift. On notification of a repair task by first-line maintenance, the MRT crew draws the required repair parts, as notified by the repair request, from the repair parts section and moves forward to the casualty's location. On arrival the MRT crew is met by vehicle crew or first line maintenance personnel whenever possible and briefed on the repairs required. The task is then completed and the equipment returned to the battle.



24. **Limited Recovery.** Each heavy and medium forward repair platoon has a limited recovery capability. Generally, the recovery vehicles are used in support of repair tasks such as moving a casualty to a more appropriate location prior to repair. There are not sufficient recovery resources to provide permanent support to brigade ECPs. Maintenance company is responsible to recce the brigade ECP and get it approved through the brigade G4, but the task to man the ECP is the responsibility of the DISGP maintenance battalion and is discussed in Section 4.

25. **Decentralized Operations.** There is seldom sufficient terrain for all units to be well forward, especially in highly mobile operations. The combat service support units are often located far behind the forward units and find it difficult to provide immediate support. When this occurs with the DISGP service battalions, the supported brigade commander may want elements of his service battalion well forward. A forward logistics group (FLG) is then formed with elements of the ST company and the maintenance company. The maintenance company element is usually a platoon or more of the heavy mobile repair MRTs with some attached MRTs from the medium mobile repair and weapons and ancillary platoons. In addition, some vehicles from the repair parts section move forward. Figure 5-2 shows a typical example of this type of deployment.

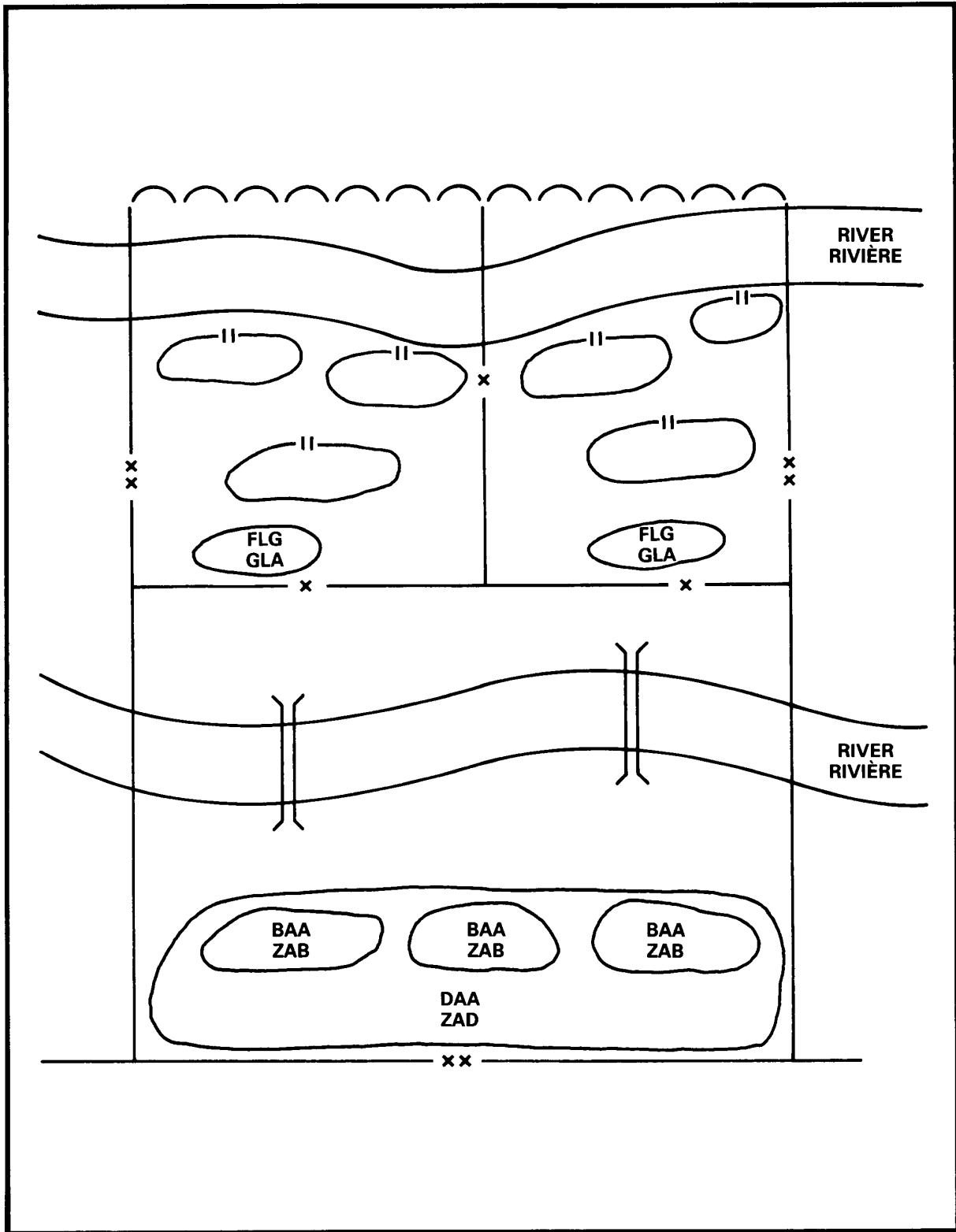


Figure 5-2 Typical Development of an FLG

## SECTION 3

### THE BRIGADE GROUP SERVICE BATTALION MAINTENANCE COMPANY

#### INTRODUCTION

26. A brigade group is organized with integral artillery, engineer, air defence, anti-armour, medical, military police, and logistics units. It is capable of conducting independent operations for an extended period and receives its support from corps resources. A complete discussion of the operations of the brigade group service battalion can be found in B-GL-312-001/FP-000, The Brigade Group Service Battalion in Battle.

27. Within the brigade group service battalion is a maintenance company which provides the brigade group with its second line EME support. This maintenance company is much larger than the maintenance company of the DISGP service battalion as there are a larger number of units to support.

#### ORGANIZATION AND CAPABILITIES

28. The maintenance company of a brigade group service battalion is divided into two working organizations, a forward repair group (FRG) and a main repair group (MRG). The FRG consists of three platoons of MRTs and the MRG consists of three equipment oriented platoons, a recovery platoon and a repair parts platoon. The organization of the maintenance company is shown in Figure 5-3.

29. The maintenance company is capable of providing all second line EME services to a brigade group. During operations it is primarily concerned with repair and recovery of those equipments beyond unit capability. When the brigade group is relieved from action or encounters a lull in the action, the maintenance company may also carry out non-essential modification programmes, formation ordnance engineering inspections, etc.

30. The maintenance company is also responsible for assisting unit maintenance platoons or troops in completion of level one tasks if the workload is beyond the unit's capability. It does this by attaching repair teams to the unit to assist with outstanding work.

31. **Forward Repair Group.** This group is composed of MRTs which respond to repair requests by deploying forward and completing in-location repairs on high priority vehicles such as tanks, self-propelled guns, APCs, infantry fighting vehicles, reconnaissance vehicles, and engineering equipment. Each MRT is equipped with the tools, test equipment and lift capability for completion of repairs to the supported equipment. The platoons are divided into sections which specialize in the repair of each type of equipment and are often collocated with the equipment to be supported, as in the case of the self-propelled gun repair section being located near the artillery regiment.

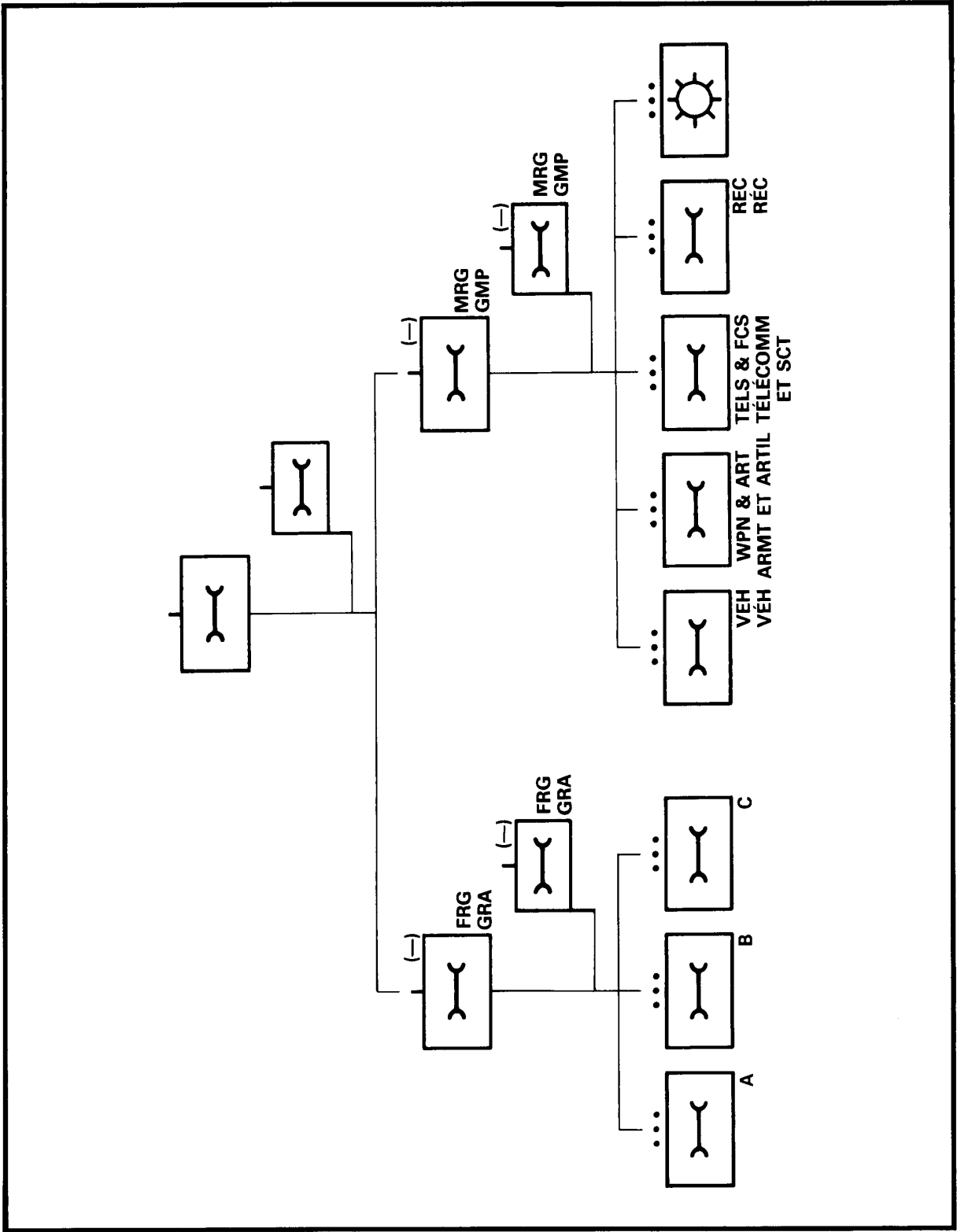


Figure 5-3 A Brigade Group Service Battalion Maintenance Company

32. The FRG is composed of three platoons and operates as far forward as the tactical situation permits, often near unit 'A' Echelons. The platoons are organized as follows:

- a. **'A' Platoon.** A platoon is made up of three sections; a section of tank repair MRTs, a section of self-propelled artillery MRTs, and a section of engineer equipment MRTs.
- b. **'B' Platoon.** B platoon is also composed of three sections; a large section to repair APCs and infantry fighting vehicles, a section to repair reconnaissance vehicles, and a small section to repair high priority wheeled vehicles such as wheeled secure communication vehicles, ambulances, etc.
- c. **'C' Platoon.** C platoon is composed of MRT sections to repair weapon systems, fire control systems, and telecommunications systems. Each of these sections has sub-sections specializing in support of tanks, self-propelled guns, APCs, and infantry fighting vehicles and engineering equipment.

33. **Main Repair Group.** This group is a centralized group found in the brigade administration area. It completes repairs to non-essential equipment which is backloaded from the units to the service battalion. It's primary functions include:

- a. **Level Two Maintenance.** It is capable of completing all level two maintenance activities to vehicles, weapons and weapon systems, fire control systems, radars and non-secure telecommunications equipment. This also includes the provision of materials support such as welding, brazing, painting, etc.
- b. **Recovery.** The main repair group has the brigade group's second line recovery resources and is responsible for recovery services beyond unit capability. Specific tasks include unditching, establishing recovery posts during brigade group moves, clearing ECPs and moving vehicles and equipment which are beyond second line repair capability to the BLP.
- c. **Augmenting Unit Maintenance Support.** Repair teams from the main repair group are attached to unit maintenance platoons and troops to help complete first line repairs when the unit does not have sufficient resources to handle the workload and has requested assistance from the service battalion.
- d. **Establishing Brigade ECPs.** Areas are allotted by brigade group headquarters for ECPs and manned by main repair group personnel. The main repair group has a section in the vehicle repair platoon, which is equipped with inspection and repair SEVs, for this task. Each detachment is commanded by an inspector and may have one or more technicians. The detachments are responsible for siting and controlling routes and collecting areas, security of the equipment in the ECP, inspection of equipment on its arrival, and completion of any repairs for which they have the necessary tools and repair parts. The detachment is also responsible for designation, but not the security, of a disposal area for equipment which is

beyond repair, and control of cannibalization and using equipment from unserviceable vehicles. A brigade group may establish as many as five ECPs.

- e. **Repair Parts.** The repair parts platoon provides second line repair parts for each of the repair platoons within the maintenance company. A section is attached to the forward repair group to provide those repair parts needed for in location repair.

34. The MRG consists of the following platoons:

- a. **Vehicle Repair Platoon.** This platoon often works out of maintenance shelters or large buildings when deployed in built-up areas. It has a large number of vehicle repair teams, divided into sections for repair of all wheeled and tracked vehicles and manning of unit ECPs. The section for manning unit ECPs is composed of technical inspection teams equipped with wheeled MRTs. The platoon is also capable of providing MRTs to augment 'A' and 'B' platoons of the FRG.
- b. **Weapons and Artisan Repair Platoon.** This platoon consists of sections for repair of weapons and materials related work, such as welding, cutting, etc, in support of other repair sections. The platoon works from SEVs and is capable of providing additional MRTs, when required, to augment "C" platoon of the FRG.
- c. **Telecommunications and Fire Control Systems Repair Platoon.** This platoon consists of two large sections, one for each function, and operates from SEVs. It is also capable of using the SEVs as MRTs to assist "C" platoon of the FRG when required.
- d. **Recovery Platoon.** The recovery platoon consists of medium and heavy wheeled recovery vehicles. It has sections for general recovery tasks and for clearing unit ECPs.
- e. **Repair Parts Platoon.** This platoon consists of a large number of heavy wheeled vehicles with medium trailers which are both designed with bins for storing repair parts. The platoon is divided into sections by type of repair parts held. One section with repair parts for tanks, APCs, infantry fighting vehicles, self propelled guns, and engineer equipment is attached to the FRG.

## SECTION 4

### THE DISGP MAINTENANCE BATTALION

#### INTRODUCTION

35. The maintenance battalion provides the second line EME support for the division that is not provided by the DISGP service battalions. In the maintenance battalion the heavier repair and recovery elements of the division are concentrated to complement and augment the forward repair and recovery tasks of the DISGP service battalion maintenance companies.

#### ORGANIZATION AND CAPABILITIES

36. The maintenance battalion of a DISGP is capable of providing second line EME support to the division troops and to the brigades for services which are beyond the capabilities of the DISGP service battalions. To carry out these services the maintenance battalion is mobile, with all sub-units capable of working in vehicles or portable maintenance shelters.

37. Due to its large size, the maintenance battalion is usually located in the division administration area although individual MRTs and recovery vehicles and section and platoon-size sub-units deploy forward as required. The majority of equipment worked on is backloaded to the maintenance battalion location from the brigades and divisional troops through either the ECPs or the supply system.

38. A DISGP maintenance battalion is organized as shown in Figure 5-4. It contains a forward repair company, a recovery company, a weapons and electronics company, a tracked vehicle repair company, a wheeled vehicle repair company, and an administration company.

39. **Forward Repair Company.** The forward repair company is organized functionally into mobile repair platoons specializing in heavy- and medium-tracked vehicles, wheeled vehicles and weapons, and ancillary equipment. In an armoured division the size of the heavy and medium mobile repair platoons is increased due to the increased numbers of armoured fighting vehicles. The platoons within the forward repair company are:

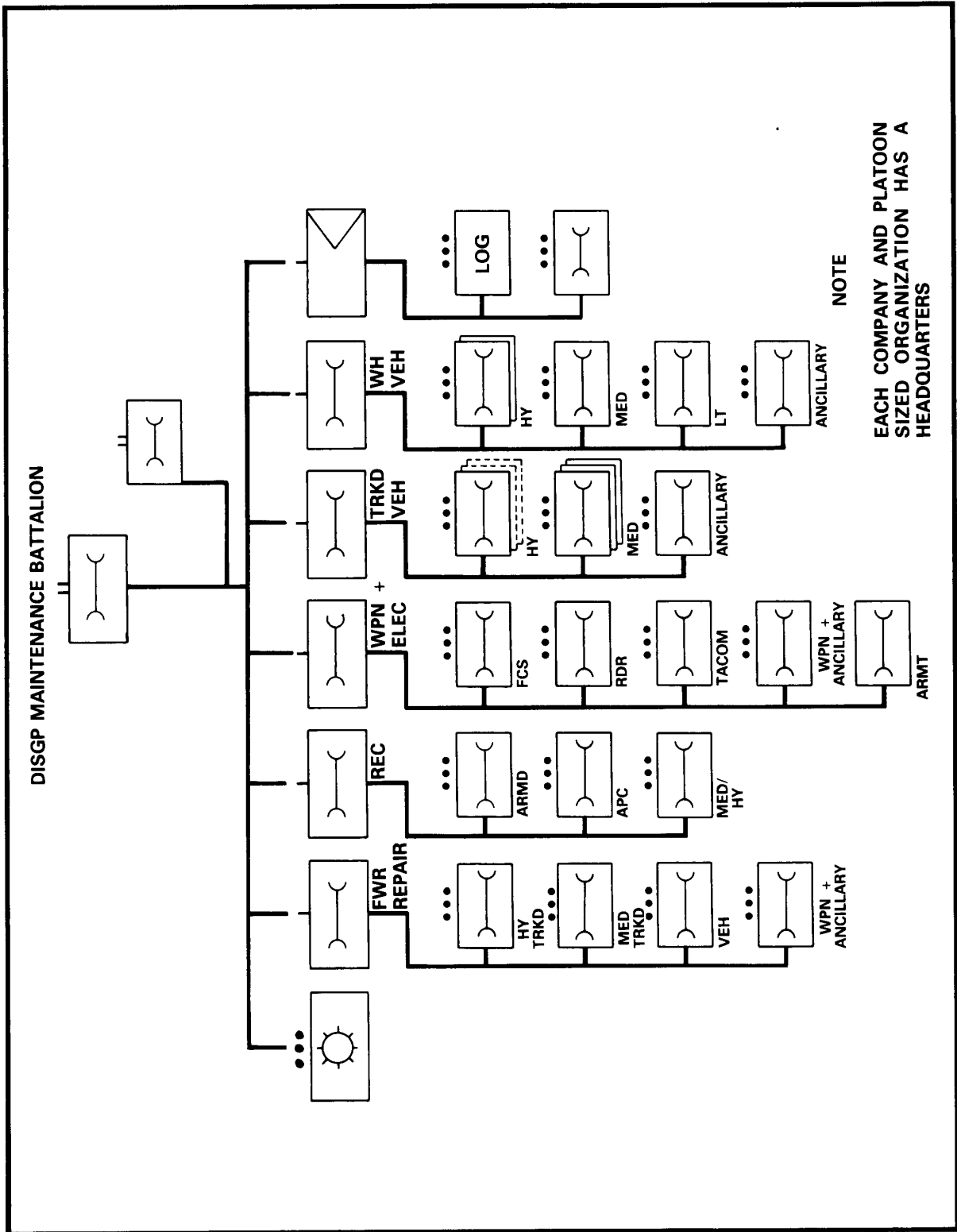


Figure 5-4 DISGP Maintenance Battalion Organization



- a. **Heavy Mobile Repair Platoon.** The MRTs of this platoon perform forward repairs to tanks, LAVs, self-propelled guns, and heavy engineering equipment. The platoon consists of sections of tank MRTs, heavy artillery and APC MRTs, and heavy engineer equipment MRTs.
- b. **Medium Mobile Repair Platoon.** This platoon specializes in repairs to medium-tracked or heavy-tracked vehicles in the division. The platoon is organized into sections dedicated to APCs, engineer equipment, and the divisional reconnaissance regiment.
- c. **Wheeled Vehicle Mobile Repair Platoon.** This platoon specializes in repairs to wheeled vehicles and is normally equipped with wheeled MRT vehicles. Sections of the platoon are dedicated to division artillery, division engineer, and the DISGP.
- d. **Weapons and Ancillary Mobile Repair Platoon.** This platoon is organized to repair weapon systems, fire control systems, communications and electronics systems, and radar systems which are critical to the battle and must be repaired forward. It also includes heavy welding teams capable of deploying forward as necessary.

40. **Recovery Company.** Recovery resources within the division are, for the most part, centralized at the division level in the DISGP recovery company. This central control allows for economy of effort while retaining sufficient flexibility to complete the diversity of recovery tasks assigned. The recovery resources of the maintenance battalion have the capability of back-loading equipment, cross loading equipment from one organization to another, or catering to special operations such as unit or formation moves, battlefield clearance, or obstacle stand-by duties.

41. The recovery company is organized as follows:

- a. **Armoured Recovery Platoon.** This platoon is equipped to recover heavy armoured vehicles. Equipment includes armoured recovery vehicles based on the tank or self-propelled gun chassis types supported by heavy equipment transporters.
- b. **Armoured Personnel Carrier Recovery Platoon.** This platoon is equipped for recovery of armoured personnel carriers.
- c. **Medium or Heavy Recovery Platoon.** This platoon contains medium- and heavy-wheeled recovery vehicles. It also has low beds which may be used for recovering and backloading wheeled vehicles, armoured personnel carriers, and some engineering equipment.

42. One other task of the recovery company is to provide detachments to set-up and operate ECPs for the brigade units and division troops. The detachments may come from any of the platoons, depending on the unit being supported.

43. **Tracked Vehicle Repair Company.** This company performs repairs to tracked vehicles and engineer equipment which are not completed using forward repair. The repairs are primarily level two and limited level three. It has the following platoons:

- a. **Heavy-Tracked Repair Platoon(s).** This platoon includes the technicians, SEVs, and special tools required to repair tanks, self-propelled guns, and armoured personnel carriers. A mechanized division DISGP maintenance battalion has one such platoon while an armoured division has three.
- b. **Medium-Tracked Repair Platoons.** These platoons carry out repairs on all tracked vehicles not repaired by the heavy-tracked repair platoon(s).
- c. **Ancillary Platoon.** This platoon performs material, machining, welding, and refinishing services in support of other platoons of the company.

44. **Wheeled Vehicle Repair Company.** This company performs repairs to wheeled vehicles which are not repaired forward. The company is organized into the following platoons:

- a. **Heavy-Wheeled Repair Platoons.** These two platoons specialize in repairs to heavy-wheeled vehicles and some engineering plants.
- b. **Medium-Wheeled Repair Platoon.** This platoon specializes in the repair of medium-wheeled vehicles and medium trailers.
- c. **Light-Wheeled Repair Platoon.** This platoon specializes in level two repairs of the divisions light-wheeled vehicles, light trailers, motorcycles and generators.
- d. **Ancillary Platoon.** This platoon provides material, machining, welding, and refinishing services required for the completion of repairs by the other platoons of the company. In addition there are sections which rebuild and refurbish automotive components and repair tires.

45. **Weapons and Electronics Company.** This company completes all level two repairs to weapons and electronics not completed by forward repair. It consists of five platoons organized along equipment lines, and is organized the same for both mechanized and armoured divisions. This company consists of:

- a. **Armaments Platoon.** This platoon has the technicians and SEVs necessary to work on the heavy weapons of the division.
- b. **Small Arms and Ancillary Platoon.** This platoon has the technicians and SEVs necessary to work on small arms, mortars, and other weapons not repaired by the

armaments platoon. There are also machine shops, welding shops, and textile shops for specialized support to the battalion as a whole.

- c. **Fire Control Systems Platoon.** Fire control systems repair is provided for tank fire control systems, gun alignment and control systems, remotely piloted vehicles, imagery devices, observation devices, instruments, tactical computers, specialized electronics, guided missiles, generator electrical systems, and batteries.
  - d. **Radar Platoon.** This platoon performs all level two repairs to radars held by the division.
  - e. **Tactical Communications (TACOM) Platoon.** This platoon is responsible for the level two repairs to non-secure tactical communications equipment.
46. **Administration Company.** This company performs the routine administration tasks required for any battalion-sized unit. It is composed of the following platoons:
- a. **Logistics Platoon.** This platoon includes transportation, medical, messing, military police, quartermaster, and personnel administration sections.
  - b. **Maintenance Platoon.** This platoon performs level one repair and recovery of the battalion's equipment.
  - c. **Repair Parts Platoon.** The repair parts platoon is integral to the maintenance battalion and provides the repair parts immediately required by the battalion.

## SECTION 5

### BRIGADE AND DIVISION EME STAFFS

#### INTRODUCTION

47. The responsibility for efficient administration, including maintenance, is vested with the commanders at each level. At the unit level a commanding officer relies upon his unit maintenance officer to provide him with advice on EME matters. At the formation level, each commander is provided with an EME staff to advise on EME matters and implement the commanders directives. In this section the following EME staffs are discussed:

- a. the brigade G4 maintenance staff;
- b. the division G4 maintenance staff; and
- c. the DISGP headquarters G4 maintenance staff.

48. Each of the G4 maintenance staffs listed above work within the technical chain of control discussed in Section 2 of Chapter 2 and shown in Figure 2-9. In this section each of these staffs is concerned with planning and implementing the first and second line EME support within the formation. Third line EME support is discussed in Chapter 6.

#### BRIGADE G4 MAINTENANCE STAFF

49. The role of the brigade G4 maintenance staff is to assist the commander by providing advice on EME matters and coordinating the provision of EME services. Tasks of the staff include:

- a. keeping the brigade commander and operations staff informed on all EME matters affecting current and future operations;
- b. providing overall co-ordination of all EME organizations supporting the formation;
- c. preparing the maintenance input into brigade administrative plans, orders, and instructions reflecting the brigade commander's policy;
- d. preparing the maintenance sections of brigade administrative movement orders and instructions;
- e. effecting liaison with the division G4 maintenance staff and the DISGP headquarters G4 maintenance staff on EME policy and planning matters;
- f. effecting liaison with the officer commanding the maintenance company of the supporting DISGP service battalion and the unit maintenance officers on potential

problem areas, and implementation of the commander's plan;

- g. collecting, consolidating, and coordinating the brigade's maintenance related reports and returns; and
- h. establishing priorities for repair and recovery within the brigade.

50. The G4 maintenance staff is a part of the G4 staff within the brigade headquarters. It is headed by a LEME captain and has technical advisors in each of the trades employed within EME second line organizations. Figure 5-5 shows the organization of the brigade headquarters. For a detailed organization of a brigade headquarters staff see B-GL-303-001/AF-001, Corps' 86 War Establishments.

51. The G4 maintenance staff also is responsible for planning brigade ordnance engineering inspections which the brigade commander orders. These inspections give the commander a report on the state of the equipment within the brigade and indicate to the commander the extent of EME services which are outstanding. Brigade ordnance engineering inspections interrupt the unit maintenance activities and are expensive in terms of time and resources. They should only be completed when the brigade is expected to be out of action for an extended period.

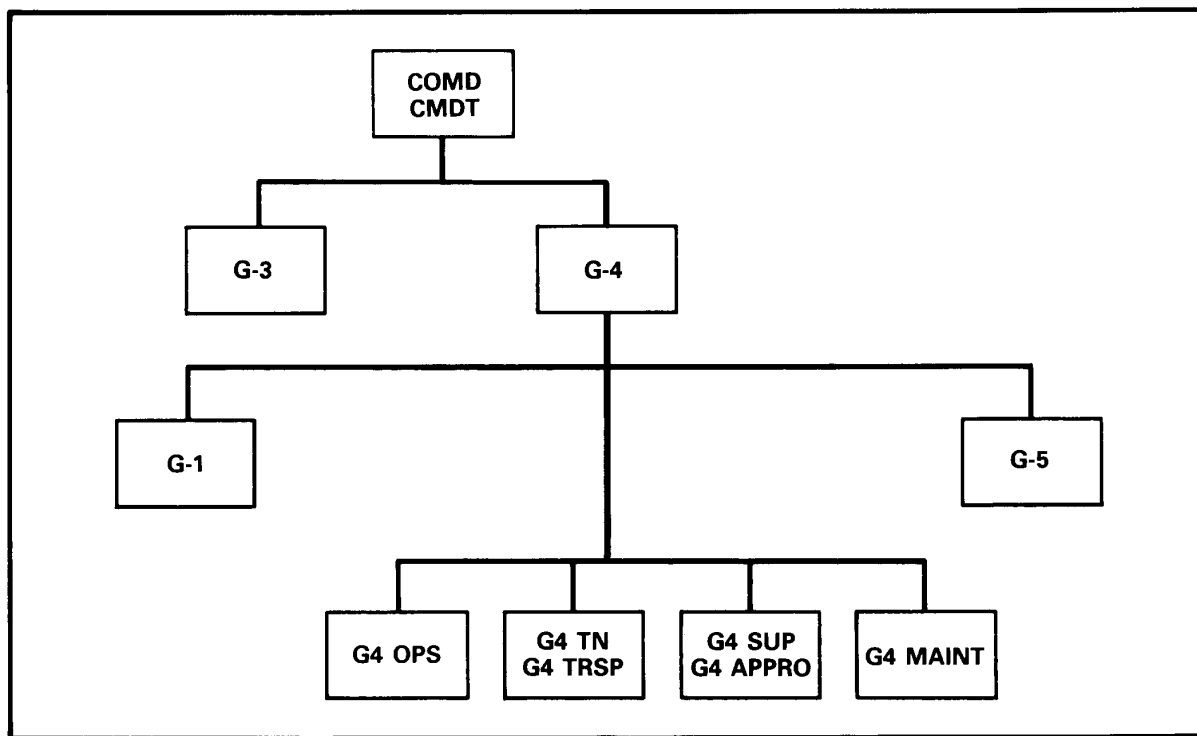


Figure 5-5 The Brigade Administration Staff

## **DIVISION G4 MAINTENANCE STAFF**

52. The role of the division G4 maintenance staff is to assist the division commander by providing advice on EME matters and coordinating the provision of EME services. Tasks of the staff include:

- a. keeping the division commander and operations staff informed of all EME matters affecting current and future operations;
- b. providing overall co-ordination of all EME organizations organic to or attached to the formation;
- c. preparing the EME input into the administrative plans, orders, and instructions;
- d. ensuring that the commander's policies, orders, and instructions on EME matters are understood and carried out;
- e. effecting liaison and coordinating with other staffs, subordinate formations and units, and adjacent and lower headquarters on EME matters;
- f. planning the EME aspects of future operations;
- g. monitoring and actioning EME related reports and returns;
- h. monitoring critical EME resources in conjunction with the G3 staff; and
- j. setting priorities for repair and recovery within the division.

53. The organization of the division administrative staff is shown in Figure 5-6. The G4 maintenance staff is headed by a LEME major. The staff also includes captains specializing in recovery and equipment repair and senior technicians from each trade employed within EME second line organizations. For the detailed organization of the division G4 maintenance staff see B-GL-303-001/AF-001, Corps' 86 Establishments.

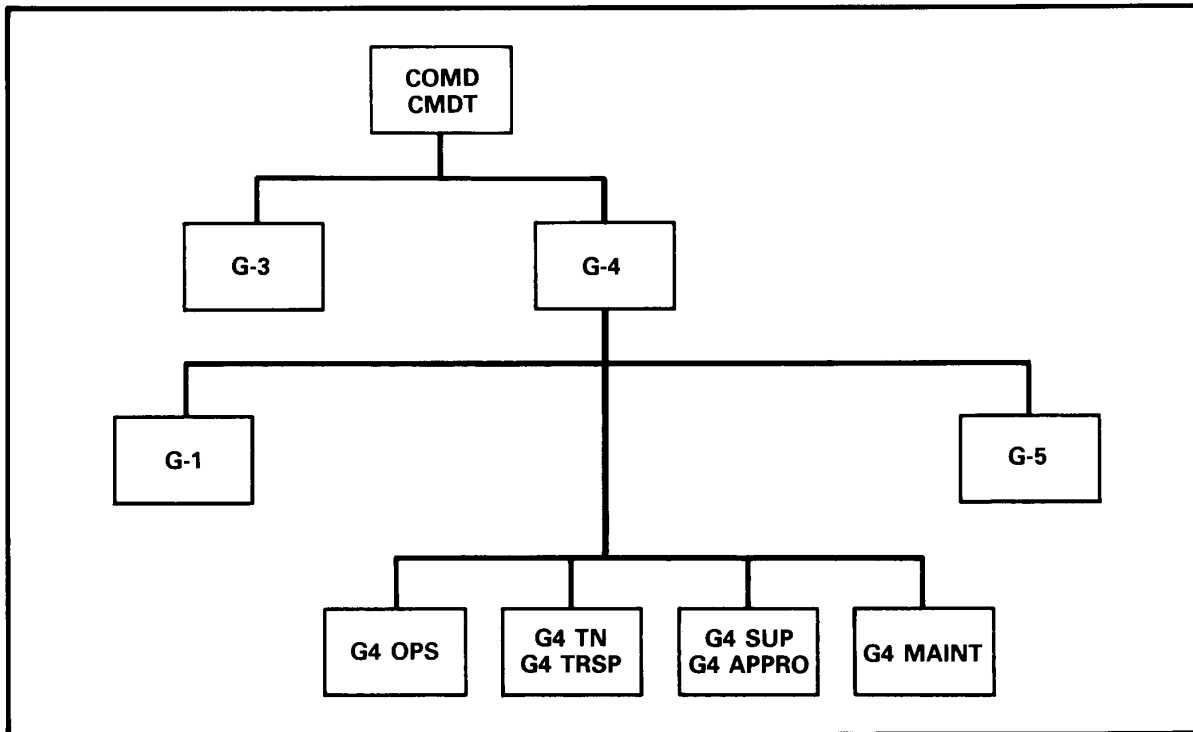


Figure 5-6 The Division Administration Staff (Div Rear)

### DISGP HEADQUARTERS G4 MAINTENANCE STAFF

54. The DISGP commander is a brigadier-general, who commands all second line combat service support resources, less medical and military police within the division. The commander has a number of units under command including three service battalions, a maintenance battalion, a supply battalion, a transportation battalion, and other units which might be attached from higher level resources. The DISGP staff is shown in Figure 5-7. For description of the operations of this staff see B-GL-312-002/FP-001, Combat Service Support Volume 2, The Division Services Group in Battle. For the detailed organization of the DISGP staff see B-GL-303-001/AF-001, Corps' 86 Establishments.

55. The DISGP is a brigade-sized organization and as such is provided with a staff similar to that found in a brigade headquarters. The G4 maintenance staff includes a LEME captain and a senior technician from each trade employed within the EME second line organizations. Tasks of the G4 maintenance staff include:

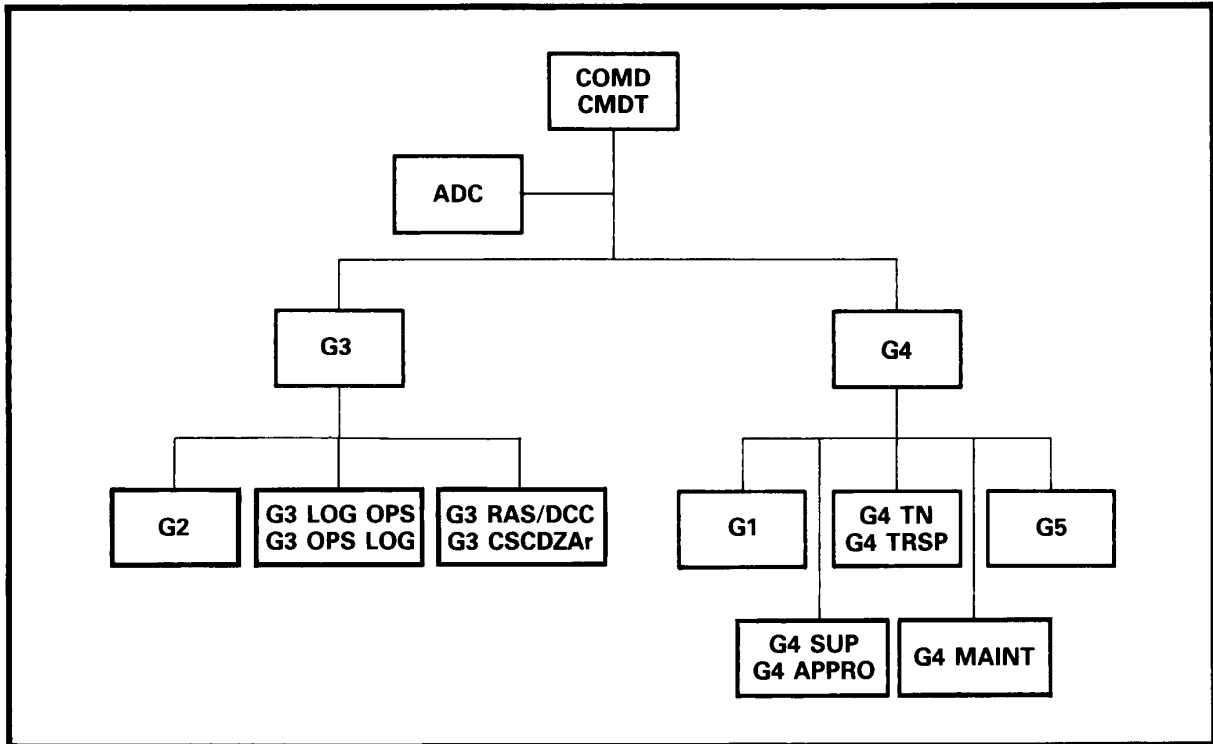


Figure 5-7 Organization of a DISGP Headquarters

- a. informing the commander and other staff, particularly the G3 Logistics Operations Plans section, on EME matters which affect present and future operations;
- b. meeting with staffs from division headquarters, COSCOM headquarters, brigade headquarters, the maintenance battalion, and the DISGP service battalions on EME matters;
- c. preparing the EME portions of DISGP operations and administrative orders, instructions, and directives;
- d. monitoring EME related reports and returns from subordinate units; and
- e. monitoring critical EME resources in conjunction with the G3 staff.



## **CHAPTER 6**

### **THE COSCOM MAINTENANCE BRIGADE**

#### **SECTION 1**

#### **GENERAL**

#### **INTRODUCTION**

1. Third line EME support within a Canadian corps as well as second line EME support to the corps is provided by the Corps Service Command (COSCOM) Maintenance Brigade. The operation of the COSCOM is outlined in B-GL-312-003/FP-001, Combat Service Support Volume 3, Corps Service Command in Battle.

#### **RESPONSIBILITIES OF A THIRD LINE EME ORGANIZATION**

2. An EME third line organization is found at the corps level or higher. It generally has the following responsibilities:

- a. repairing and returning equipment to supply channels;
- b. supporting lower line maintenance organizations;
- c. providing third line recovery to the corps;
- d. providing maintenance, reclamation, and inspection services on items being stored by supply;
- e. repairing, reconditioning, or rebuilding unserviceable modules, components or assemblies;
- f. training of EME personnel entering the formation for employment in first, second, or third line organizations;
- g. engineering design and development of modification; and
- h. developing assembly line procedures.

#### **ORGANIZATIONAL FACTORS**

3. The factors which influence the organization of an EME third line organization include:

- a. the amount and type of equipment to be supported;

- b. the engineering and training functions involved in introducing new equipment and technical training; and
  - c. the method of operation of the supported corps.
4. A corps is established with more than 100 000 personnel and many different types of equipment including approximately 1 000 tanks, 13 000 tracked vehicles, 43 000 wheeled vehicles, 150 000 small arms, 30 000 radios, 30 000 miscellaneous electrical, electronic, and optronic equipments, and 100 large radars. Third line repair and overhaul of this equipment requires relatively static facilities and is manpower intensive. Assembly line procedures work well.
5. New equipment will be introduced as a corps becomes seasoned in battle, and EME personnel will be among the replacements received by the corps. This leads to the requirement for an engineering and training organization within EME third line organizations.
6. Although third line support facilities are relatively static due to the size and complexity of the work, there are elements capable of mobile operations in support of the division's and the corp's troops. Therefore, some elements of EME third line organizations, including the recovery resources and those resources assigned the tasks of supporting corps troops and augmenting subordinate formations, retain the capability of mobile operations.
7. Tasks such as overhaul, reclamation, and refurbishment of major equipment, such as tanks, are best performed by using civilian facilities equipped with heavy cranes. The elements of the maintenance brigade which completes these tasks are relatively static. Movement of these elements requires considerable time and transportation resources.

## **METHOD OF OPERATION**

8. Heavy and Medium workshop facilities usually include large industrial-style buildings usually found in towns and cities. The most suitable buildings are those equipped with heavy cranes and which are suited to assembly line operations. The overhaul and refurbishment of major equipment is done on a continuous basis, while minor equipment, components or assembly overhaul or refurbishment programmes are done as required.
9. The COSCOM recovery battalion is responsible for third line recovery support to the corps. This responsibility includes provision of third line recovery from division and corps troops BLPs to maintenance facilities or to the corps BLP, provision of first and second line recovery support to corps troops units which lack integral recovery resources and augmentation of the divisional recovery resources when required.
10. A third type of operation is the support provided to augment the maintenance support within a division, an independent brigade group, or a corps troop formation. The elements of the third line EME organization must be capable of joining the supported formation and must have the same level of mobility as the second line EME organization. This requires that the third line EME organization has elements equipped with tracked or wheeled SEVs.

11. At first and second line, EME organizations provide the necessary services, and the equipment is returned to the unit when completed. On determining that a piece of equipment is beyond second line capability the equipment is backloaded either through the maintenance or the supply system and the unit is authorized to demand a replacement item. On completion of the third line maintenance activity the equipment is turned over to the supply brigade for issue to a formation. Most of the equipment handled by the third line EME organization, therefore, goes directly to the third line supply organization.

## SECTION 2

### THIRD LINE EME ORGANIZATION

#### INTRODUCTION

12. Within the context of a Canadian corps the only third line EME organization is the COSCOM maintenance brigade.

13. Its organization is outlined in this section and each of its components is discussed in detail.

#### ORGANIZATION

14. The COSCOM maintenance brigade is composed of a brigade headquarters, a heavy EME workshop battalion, a medium EME workshop battalion, a recovery battalion, and an engineering and technical training battalion. The COSCOM maintenance brigade organization is shown in Figure 6-1.

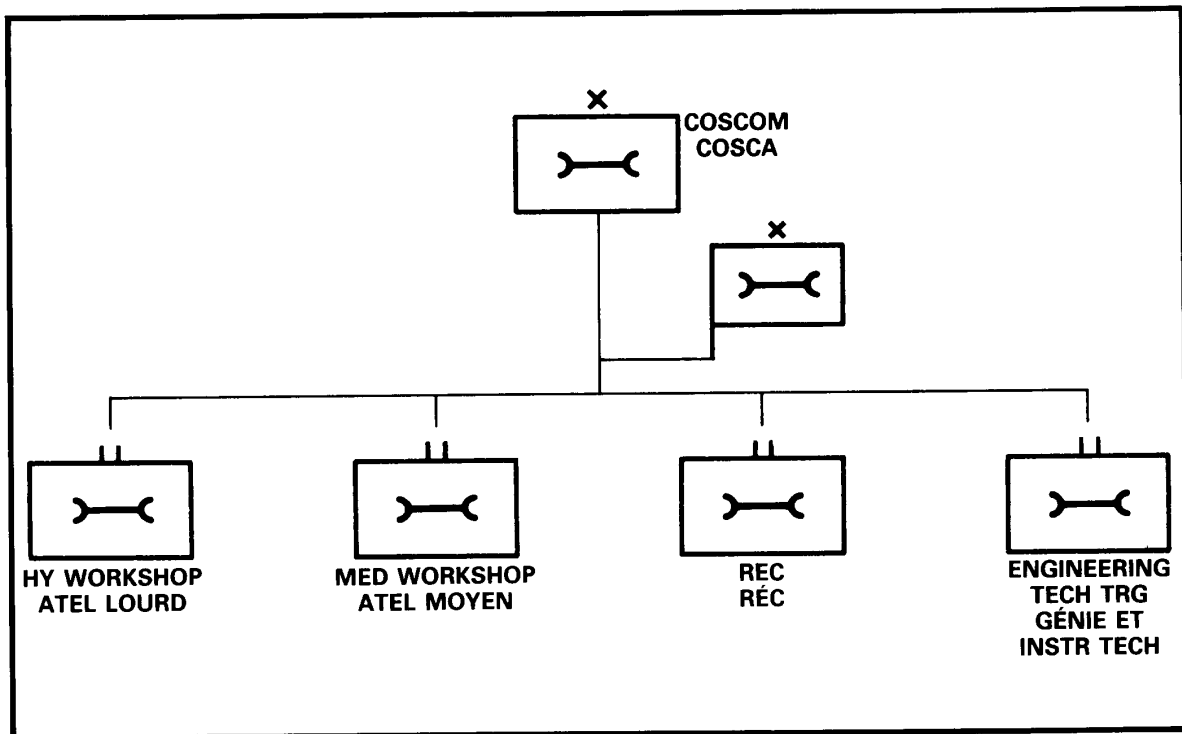


Figure 6-1 A COSCOM Maintenance Brigade

## THE MAINTENANCE BRIGADE HEADQUARTERS

15. The COSCOM maintenance brigade is a formation-sized organization in its own right. As such, the commander is provided with a headquarters and signal squadron to support its headquarters and staff. The staff assists the commander in the command and control of the brigade as well as in the capacity of senior EME advisor in the corps. The organization of the maintenance brigade headquarters is shown in Figure 6-2.

16. The maintenance brigade headquarters has G1, G2, G3, G4, and G5 sections. The sections have the following responsibilities:

- a. **G1 (Personnel).** This section provides the commander with advice on personnel matters including training, personnel administration, welfare, and finance for all EME personnel both within the brigade and within the corps.
- b. **G2 (Intelligence).** This section provides the commander with information and advice on the tactical intelligence picture, and with technical intelligence on enemy equipment.
- c. **G3 (Operations).** This section advises the commander on, and controls the day to day operation and training of, the brigade - subsections include cells responsible for rear area security, recovery, backloading, and second and third line maintenance.
- d. **G4 (Logistics).** This section advises the commander on, and controls the logistics support required, by the brigade - sub-sections specialize in repair parts, transportation maintenance, accommodation, and administration movement.
- e. **G5 (Civil Military Cooperation).** The CIMIC section advises the commander on, and controls the co-ordination of, civilian resources which may be needed in the maintenance brigade - sub-sections include specialists in liaison with civilian agencies and governments, facilities, civilian labour availability, and pay. (The pay sub-section handles the financial aspects of dealing with local populations.)

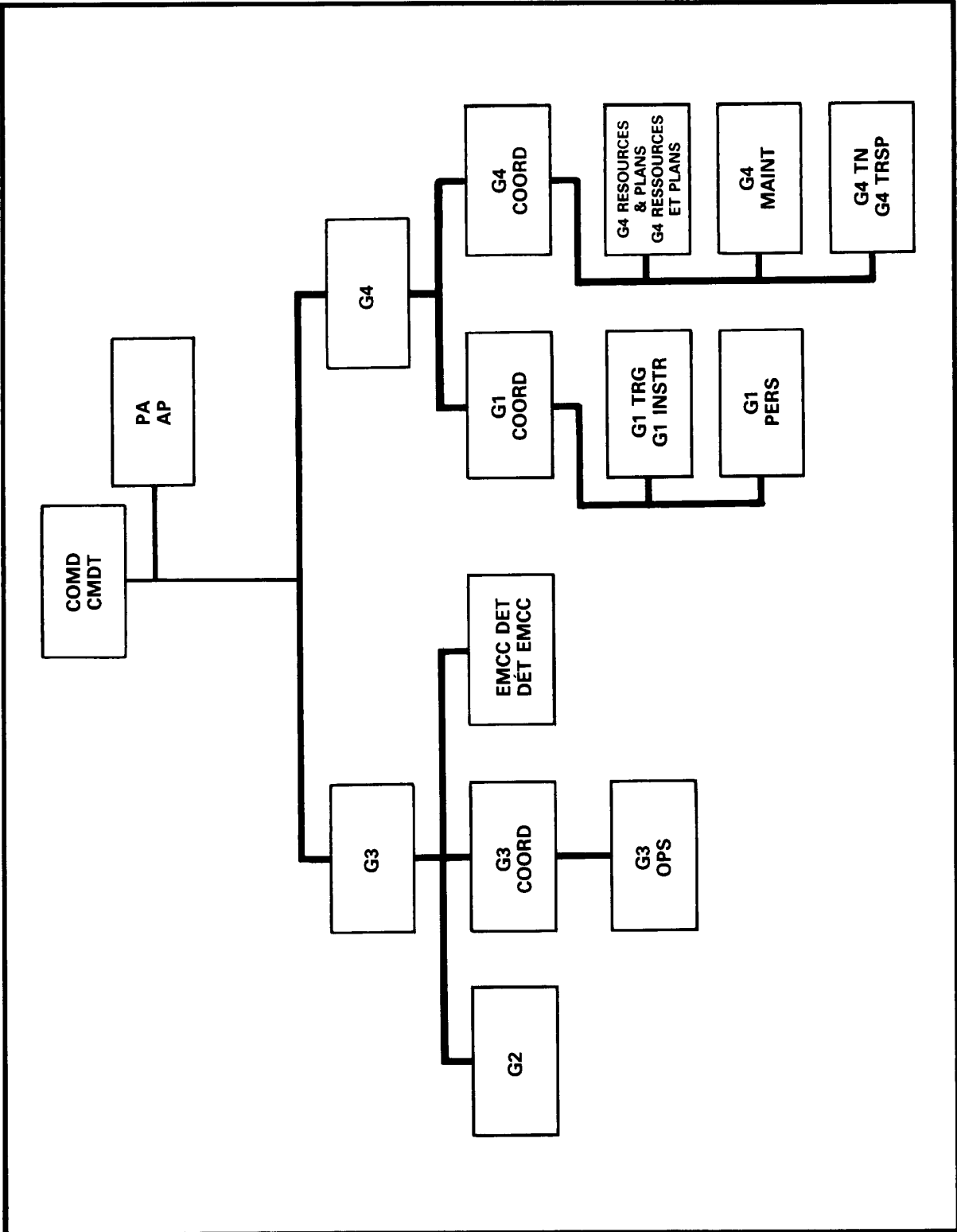


Figure 6-2 Maintenance Brigade Headquarters

## THE COSCOM HEAVY WORKSHOP BATTALION

17. The heavy workshop battalion completes the majority of the third line repairs for the supported corps. Its organization is shown in Figure 6-3.
18. The battalion uses assembly line procedures for many of its tasks and is dependent upon the availability of extensive civilian facilities. There may also be a requirement for large additional civilian technical and labour pools.
19. **Battalion Headquarters.** The battalion has a small headquarters including an operations cell, an administrative cell, and the battalion control office. The battalion control office completes the necessary reports and returns and maintains the control over ongoing projects.
20. **Vehicle Company.** This company is responsible for third line maintenance of vehicles, which can include overhaul, rebuild, modification, etc. The company has a headquarters and four platoons as follows:
  - a. **a heavy vehicle platoon** which is responsible for the third line maintenance of armoured vehicles and heavy wheeled vehicles such as engineering equipment;
  - b. **a light vehicle platoon** which is responsible for the remainder of the wheeled vehicles and for assemblies and components;
  - c. **a heavy lift platoon** which is responsible for operating lift resources such as cranes required in the assembly lines; and
  - d. **a receipt and issue platoon** which is responsible for control of the vehicles prior to, and after completion of, EME services.
21. **Weapons and Electronics Company.** This company is organized to provide third line maintenance services including rebuild, overhaul, and modification, etc, of all equipment, less vehicles and radar, which is the responsibility of the EME system. It has a company headquarters and the following platoons:
  - a. weapons platoon;
  - b. optronics platoon;
  - c. electronics platoon; and
  - d. materials platoon.

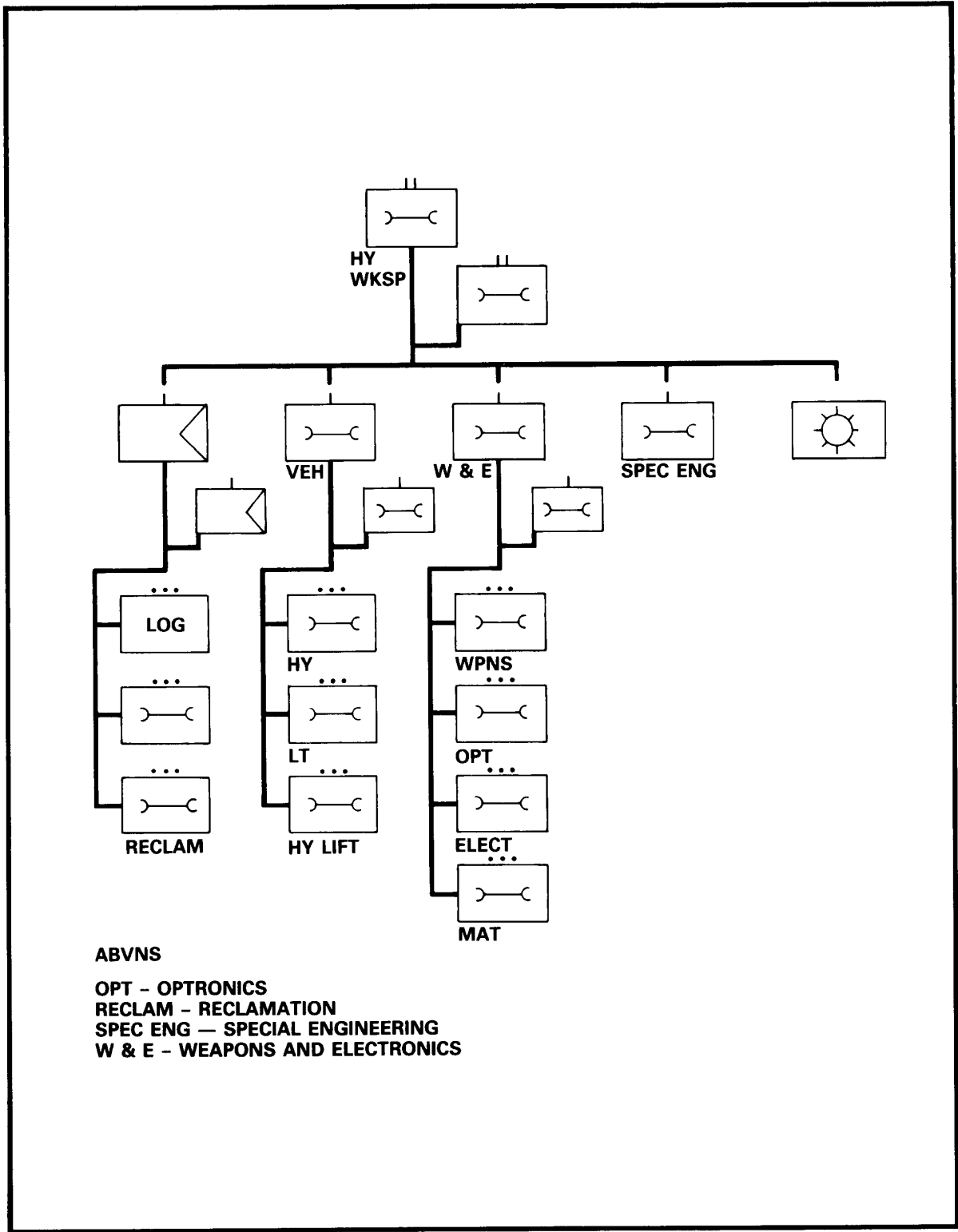


Figure 6-3 A COSCOM Heavy Workshop Battalion



22. **Specialist Engineering Company.** This company is responsible for the design and installation of assembly line procedures used by the vehicle, weapons, and electronics companies. It has a variable number of platoons depending upon the number of assembly lines in use and may require a significant amount of civilian personnel augmentation.

23. **Administration Company.** This company provides the battalion with the first line administrative support. It consists of a company headquarters and the following platoons:

- a. **a movement platoon**, which is responsible for control of the movement of equipment to and from the supply system, and providing 1 st line transportation to the COSCOM heavy workshop battalion;
- b. **a reclamation platoon** which is responsible for carrying out reclamation operations;
- c. **a repair parts platoon**; and
- d. **a maintenance platoon** which is responsible for maintenance of the battalion's equipment including the assembly line equipment.

#### **THE COSCOM MEDIUM WORKSHOP BATTALION**

24. The COSCOM maintenance brigade medium EME workshop battalion is responsible for the second line support of corps troops, and augmentation of the divisions. The organization of this battalion is shown in Figure 6-4.

25. The battalion consists of a heavy forward vehicle maintenance company, two ancillary forward maintenance companies, two light forward vehicle maintenance companies, a main repair group, and an administration company.

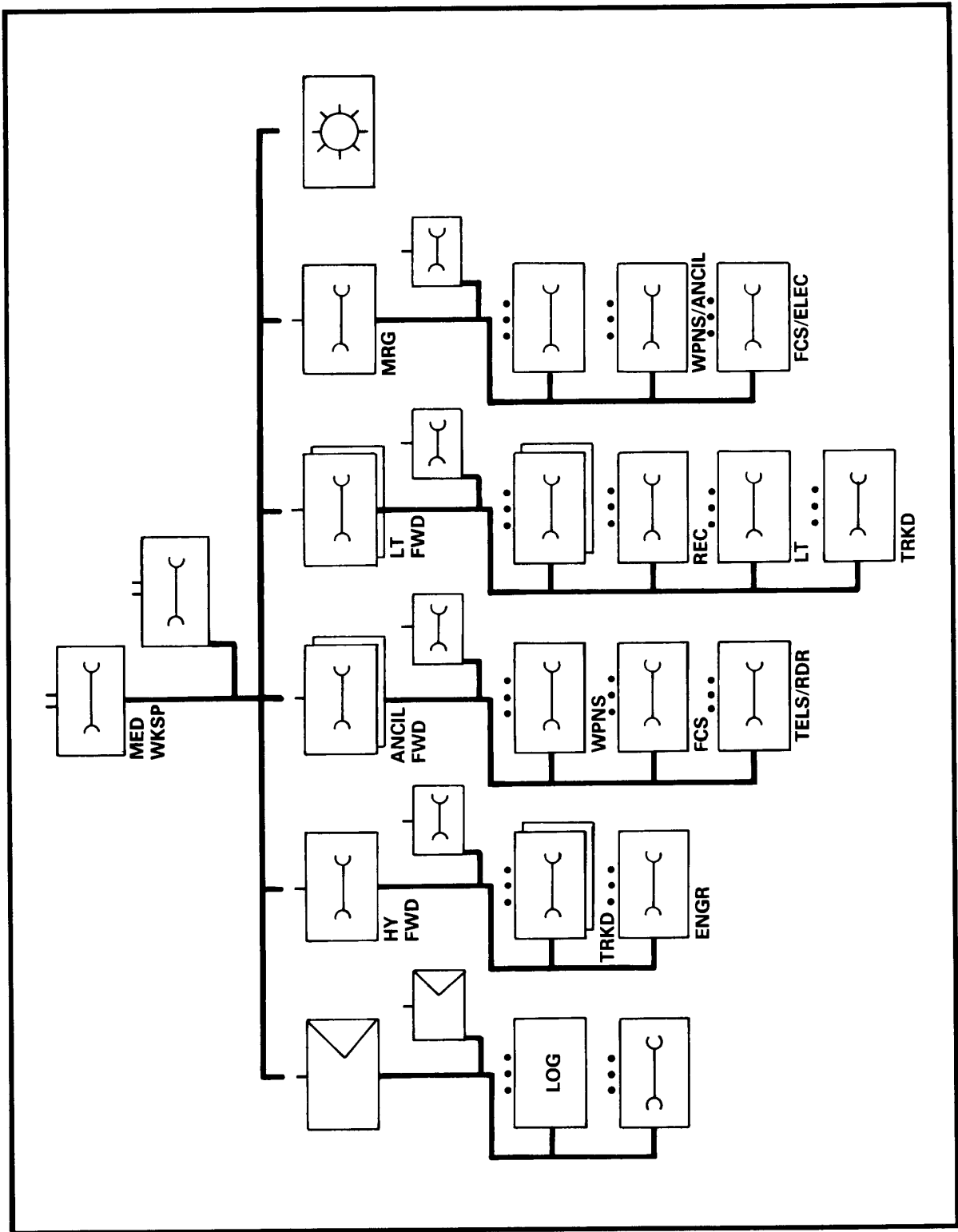


Figure 6-4 A COSCOM Medium Workshop Battalion

26. **Heavy Forward Vehicle Maintenance Company.** This company is composed of MRTs which operate forward to support tanks, self-propelled guns, and engineering equipment. Platoons or sections may be attached to corps artillery, armoured cavalry and engineer formations, and units to provide direct support. In addition, some elements may be attached to the divisions or brigade groups. The company is composed of:

- a. **Tracked MRT Platoons.** These two platoons have heavy tracked MRTs which provide forward second and third line EME services to tanks, infantry fighting vehicles, and self-propelled guns.
- b. **An Engineer MRT Platoon.** This platoon has heavy tracked MRTs specially equipped to support engineering equipment.

27. **Ancillary Forward Maintenance Companies.** These two companies provide second and third line forward repair of the ancillary equipment within the corps. The companies have a primary function of supporting the corps troops formations and units and a secondary function of augmenting the divisions and brigade groups. Each company consists of:

- a. **A Weapons Platoon.** This platoon is equipped with a mix of medium- and heavy-tracked vehicles specially equipped to hold the tools and test equipment needed for the repair of weapons and weapon systems (excluding missiles).
- b. **An FCS Platoon.** This platoon is equipped with heavy-tracked vehicles holding the test equipment and tools needed for forward repair of missile systems, optronic systems, and electronic systems.
- c. **A Telecommunications and Radar Platoon.** This platoon is equipped with heavy-tracked vehicles specially designed to hold test equipment and tools for forward repair of non-secure telecommunications equipment and radar systems.

28. **Light Forward Vehicle Maintenance Companies.** These two identical companies operate forward in support of light armoured vehicles and high priority wheeled vehicles. The companies combine a mobile repair capability and a more static augmentation capability. Elements of this company are normally in support of the corps armoured cavalry brigade, and the divisions. Each company has:

- a. **Vehicle Platoons.** Their role is to provide second line service support to corps troops. They are equipped with heavy-tracked vehicles which carry the necessary tools and test equipment which allows them to be used as augmentation of the DISGPs.
- b. **A Recovery Platoon.** This platoon is equipped with medium and heavy-tracked recovery vehicles. It is normally tasked to provide recovery support to the corps troops resources but may also be tasked to augment the recovery resources of other corps troops units or formations.

- c. **A Light Armoured Vehicle Platoon.** This platoon is equipped with MRT vehicles to support light armoured vehicles. Its tasks usually include support of the armoured cavalry brigade, brigade group, and other corps troops with a predominance of light armoured vehicles.
- d. **A Light Vehicle Platoon.** This platoon is equipped with wheeled vehicles and is normally employed in the support of corps administrative units. When corps transport, supply, or other administrative elements are attached to the divisions it is normal practise that a portion of the light vehicle platoon is also attached to provide the necessary support.

29. **The Main Repair Group.** This company-sized group operates from the corps administration area, providing second line maintenance support to the other corps troops which are also in the corps administration area. It consists of:

- a. a vehicle repair platoon;
- b. a weapons and ancillary platoon; and
- c. a fire control systems and electrical platoon.

30. **Administration Company.** This company is structured like the other and provides first line support to the medium EME workshop battalion.

## **THE RECOVERY BATTALION**

31. The COSCOM recovery battalion provides third line recovery support to the corps and second line to corps troops units. It also has the recovery resources to augment the divisions and brigade groups. The organization of a recovery battalion is shown in Figure 6-5.

32. **The Medium Recovery Companies.** These three identical companies are designed to support the divisions. Each has wheeled and tracked recovery vehicles as well as tank transporters. One of the companies is also assigned the task of supporting corps troops. Each company consists of:

- a. **Three-Wheeled Recovery Platoons.** Three-wheeled recovery platoons are equipped with medium wheeled recovery vehicles.
- b. **A Tracked Recovery Platoon.** The tracked recovery platoon is equipped with heavy wheeled recovery vehicles for the third line recovery of tanks and other tracked vehicles.
- c. **A Tank Recovery Platoon.** The tank recovery platoon is equipped with a large number of tank transporters.

33. **The Heavy Recovery Company.** This company has the primary task of establishing and

controlling the division BLPs and corps troops BLPs, and the movement of casualties from the BLPs to a third line maintenance facility or to the corps BLP. The company is composed of:

- a. **A Wheeled Recovery Platoon.** This platoon is equipped with medium wheeled recovery vehicles and is responsible for clearing wheeled vehicle casualties from the BLPs and hauling them either to the maintenance brigade location or the corps BLP.
- b. **A Tank Transporter Platoon.** This platoon is equipped with tank transporters and is used to backload equipment from the divisional BLPs to the maintenance brigade location. In addition the tank transporter platoon is often attached to armoured formations during long road moves.

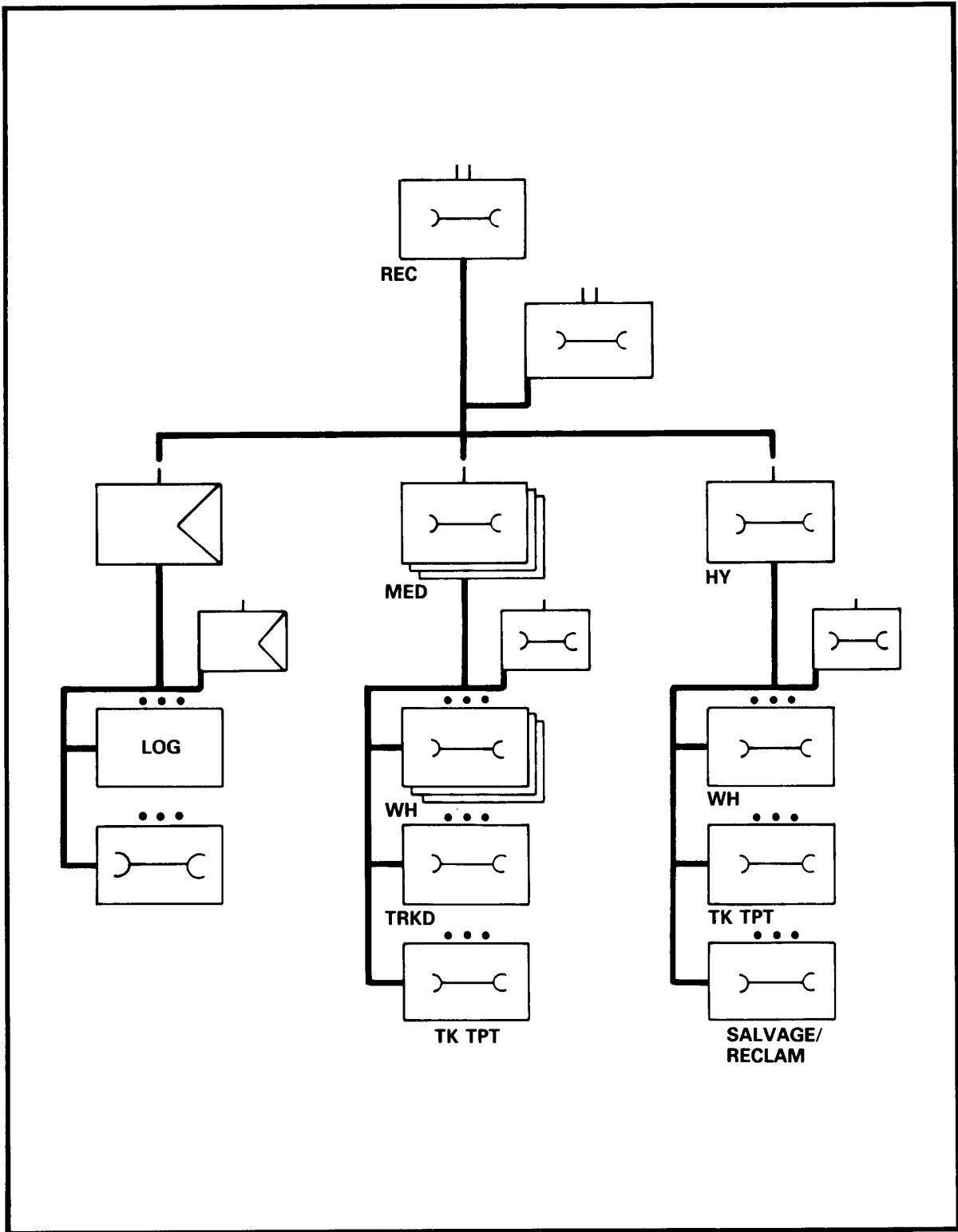


Figure 6-5 A COSCOM Recovery Battalion

- c. **A Salvage and Reclamation Recovery Platoon.** This platoon is equipped with heavy wheeled recovery vehicles used for lifting vehicles and equipment which cannot be towed due to excessive damage. It normally has sections forward in each BLP which load vehicles and equipment onto any vehicle moving rearward which is empty and capable of carrying the load. This platoon works in close conjunction with the tank transporter platoon.

34. **The Administration Company.** This company provides first line support to the recovery battalion. It is structured the same as the other administration company.

### THE ENGINEERING AND TECHNICAL TRAINING BATTALION

35. The engineering and technical training battalion is organized to develop maintenance instructions and directives for equipment repairs and modifications and to conduct EME technical training within the corps. It has an engineering group, a technical training group and an administrative platoon.

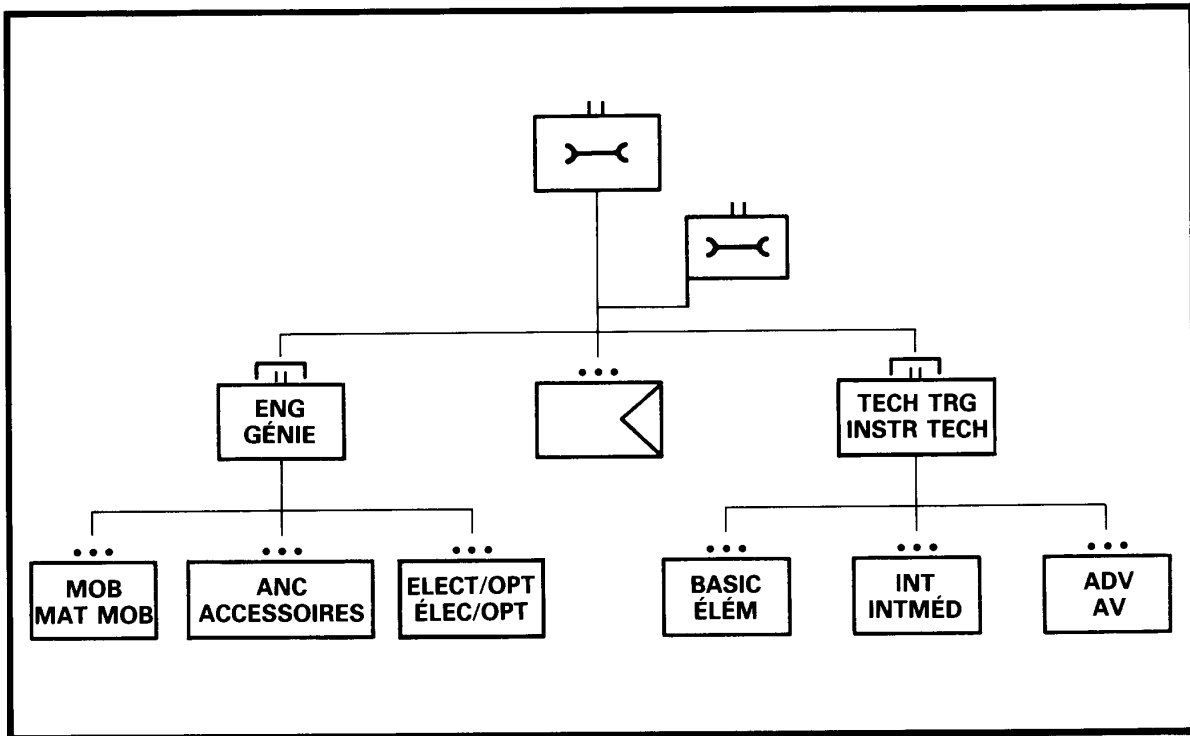


Figure 6-6 A COSCOM Engineering and Technical Training Battalion

36. **Engineering Group.** This group is responsible for the following functions:
- a. scaling of repair parts for all corps equipments;
  - b. developing maintenance instructions and directives for the repair of all corps equipments; and
  - c. developing, testing and writing modifications for corps equipments.
37. The engineering group is designed along equipment lines and has three platoons:
- a. **A Mobility Platoon.** The mobility platoon is responsible for wheeled and tracked vehicles.
  - b. **An Ancillary Platoon.** The ancillary platoon is responsible for weapons and materials equipments and procedures.
  - c. **An Electro-optical Platoon.** The electro-optical platoon is responsible for fire control systems, non-secure telecommunications and electrical equipments.
38. **Training Group.** This group's main function is to conduct EME technical training within the corps. It accomplishes this by providing training in:
- a. basic EOD as related to damaged equipment;
  - b. battle damage repair;
  - c. emergency recovery; and
  - d. new equipment familiarization.
39. The training group is organized into three platoons:
- a. **A Basic Training Platoon.** This platoon has the majority of the instructors and conducts courses for all EME technicians.
  - b. **An Intermediate Training Platoon.** This platoon conducts courses for all EME senior NCMs.
  - c. **An Advanced Training Platoon.** This platoon conducts courses for EME officers and ETQMS.
40. **Administration Platoon.** This platoon performs the routine administrative functions necessary to support the remainder of the battalion. It is organized with a maintenance section, a unit orderly room, a student processing centre, a clerical staff, and a supply section.



## **SECTION 3**

### **CORPS AND COSCOM HEADQUARTERS EME STAFFS**

#### **INTRODUCTION**

41. Because of its size and complexity, the corps is divided into the corps main and the corps rear headquarters. The corps main headquarters contains the corps commander, the operations staff, and the combat and combat support arms advisors. This staff concentrates on fighting the corps battle.

42. This section discusses the corps headquarters EME staff and the COSCOM headquarters EME staff.

#### **CORPS HEADQUARTERS EME STAFF**

43. The corps headquarters EME staff is headed by the G4 maint, a LEME lieutenant-colonel. It is organized as shown in Figure 6-7.

44. The G4 Maint is responsible for the following:

- a. advising the corps commander and the operations staff of any EME related matters which affects present or future operations;
- b. meeting with EME staffs from COMM Z, division, and the COSCOM on all EME related matters;
- c. preparing the EME portions of corps administrative orders, instructions, and directives;

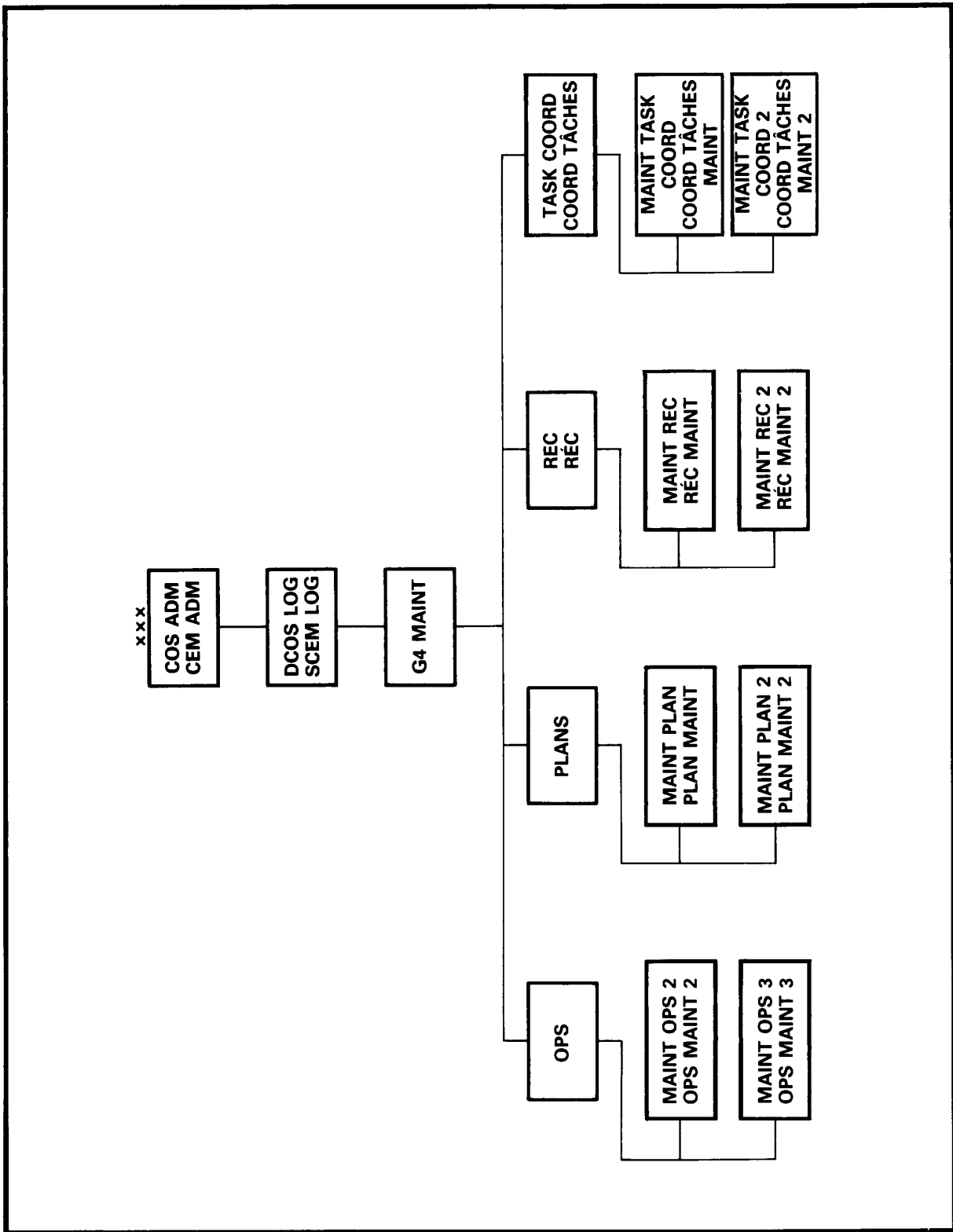


Figure 6-7 A Corps Head Quarters EME Staff

- d. establishing policies on behalf of the corps commander on EME related matters within the corps, including management of EME personnel, tasking of EME formations and units, and use of EME resources;
  - e. controlling the scaling of repair parts within the corps;
  - f. monitoring EME related reports, returns, and workshop data for each type of equipment; and
  - g. planning technical inspections within the corps.
45. The G4 Maint has a large staff which includes:
- a. an EME personnel and training section which controls EME personnel taskings, personnel management, and training;
  - b. an EME operations, planning, and tasks section which carries out planning and controlling of present and future EME operations. In addition this section has a cell which coordinates tasking of EME resources;
  - c. an EME equipment specialist section which controls the issue of maintenance instructions on each type of equipment; and
  - d. a facilities and resources section which has cells that control automated data processing, tooling, SEVs, and scaling of repair parts.

## **THE COSCOM HEADQUARTERS EME STAFF**

(To be issued later)

## **CHAPTER 7**

### **DEPLOYMENT AND TACTICAL HANDLING OF EME ORGANIZATIONS**

#### **SECTION 1**

#### **GENERAL**

#### **INTRODUCTION**

1. EME platoons, companies, and battalions deploy as ordered by the commander of the parent organization. Each unit has its own requirements for deployment to allow it to provide its services in the most appropriate manner. This chapter deals with those factors which affect the deployment and tactical handling of the EME organizations on the battlefield.

#### **DEFENCE AND PROTECTION**

2. Enemy doctrine places combat service support elements high on the list of priority targets. Extensive efforts are made to locate and destroy depth elements including EME organizations. The methods used to eliminate the depth installations include air attack, free-flight rockets and artillery, and air mobile or airborne assault. In addition, there is a threat of sabotage by partisans or enemy agents. And most importantly, there is the threat of contact with enemy units penetrating depth areas.

3. As can be seen the threat to EME units is formidable. The ability of organizations to survive in battle is dependent upon meeting the enemy threat so that the unit remains intact. The major points stressed in SOPs for defence and protection of EME organizations include:

- a. limits on daylight movement;
- b. policy on movement from one site to another as a matter of routine to prevent the enemy determining EME locations;
- c. use of track, noise, and light discipline;
- d. action to be taken on contact with the enemy;
- e. posting of sentries, listening posts, and patrols;
- f. familiarization and training standards on all weapons held by the unit and equipment on which maintenance services are completed;
- g. control of movement of civilian personnel in the local areas;
- h. reporting of enemy actions and sightings, and action to be taken to eliminate a threat;

- j. procedures used by MRT and recovery teams moving about the battlefield, including security of the area in which the repair or recovery task is to be completed;
- k. control of IR emissions, ie, generators;
- m. layout of EME organizations;
- n. radio procedures including methods to be used when conditions of radio or electronic silence are imposed; and
- p. use of overhead protection and trenches.

## SITES

4. The ideal site for an EME organization is governed by the supported unit or formation's support requirements. However, the over-riding factor influencing EME sites is always availability of terrain. Combat and combat support arms units by virtue of their role and task are usually allocated terrain in forward areas. Often it is impossible to site supporting EME elements close to the supported units. When this occurs the commanders of the EME organizations must be prepared to use an alternative way of providing the necessary support. This could mean that elements are attached to the units to provide direct support, forward repair groups are deployed, or any other mobile methods are used.

5. In addition to the allocation of terrain discussed above, the positioning of EME organizations is usually governed by the following factors:

- a. **Tactical Situation.** The unit or formation commander determines the likely manner in which the battle is to be fought and positions the EME resources in a location which allows its technicians to provide the required support. In an attack and pursuit EME organizations tend to be far behind the lead units and often deploy resources forward. In defence EME organizations tend to be much closer and provide more rapid services. In a withdrawal EME organizations are usually among the first elements withdrawn and are established in a new location, ready to provide support as the manoeuvre units complete their withdrawal.
- b. **Concealment from Ground and Air Observation.** EME organizations which are on the move are not capable of completing the tasks for which they are responsible. To be productive, EME organizations must remain static for varying lengths of time, which are, for the most part, a function of the levels of maintenance being provided. Hence a unit maintenance platoon has a greater freedom of movement than a DISGP maintenance battalion. For this reason, EME organizations are vulnerable to air and ground attack. To provide the best chance of remaining concealed, EME organizations usually deploy into wooded areas or towns and cities. Examples of proper concealment include: an MRT which finds a

suitable copse or wood in which to repair a tank; a maintenance platoon, troop, or company which is well concealed in a wood; and a maintenance brigade which is dispersed and well hidden in a number of towns and cities.

- c. **Suitability for Local Defence.** The area selected must have good local defence characteristics. Access to the area must be controlled with any roads and trails which are not required for work being completely blocked. Potential enemy plane and helicopter sites are to be identified and either made inaccessible or placed under observation. A well developed local defence plan includes co-ordination with neighbouring units and familiarization by all personnel.
- d. **Access to Good Communications.** The ability to provide emergency EME services, including recovery and in-location repair, depends on quick and accurate passage of information. EME headquarters should be sited near high ground to facilitate radio communications and near the main supply route (MSR) to receive messengers and other information from any vehicles which are returning from the forward area. This is particularly important during periods of radio or electronic silence.
- e. **Shelter from Climatic Conditions.** Most of the equipment held within the corps is highly sophisticated and sensitive to dust, sand, cold, water, and wind. Smaller EME organizations are usually equipped with some shelters which provide the required protection but this capability can be augmented by choosing sites behind natural terrain features or in large buildings such as factories or barns.
- f. **Suitability for Conducting EME Operations.** The site selected must allow for the EME organization to carry out its tasks in the most efficient manner. Among the criteria which are important are -
  - (1) **Good Internal Routes.** There must be sufficient good quality roads within the site to allow efficient traffic flow using one way routes, whenever possible.
  - (2) **Access to MSRs.** MRTs and recovery vehicles move forward and rearward along these routes, making it desirable to have immediate access or, as a minimum, access to lateral roads which join the MSRs.
  - (3) **Hard Standing.** Repair tasks on large and small equipment within a division are completed from the back of maintenance vehicles, many of which are SEVs. Because of their mass and size, hard standing (ground) is a prerequisite for maintenance vehicle sites. In general, swampy, marshy or boggy areas are not suitable for sites. In addition, suitable sites must be available next to the repair teams for positioning of vehicle and major equipment casualties to allow technicians to carry out the necessary services.

## MOVEMENT

6. EME organizations generally move on orders from their headquarters. There are usually no difficulties in the movement of EME resources within the divisions if adequate notice is provided, as unit maintenance platoons' troops, DISGP service battalion maintenance companies, and DISGP maintenance battalions are equipped with sufficient resources to move on relatively short notice.

7. The first indication that the EME element is to move is receipt of a warning order from the parent unit or formation. The headquarters that issues the warning order should have included the following information:

- a. the proposed time of the start of the move, and the location of the new site;
- b. the time that work is to cease and final preparations for the move are to be made;
- c. any changes to priorities of work in preparation for the move;
- d. recovery policy, including location of ECP or BLP if equipment is to be left behind;
- e. listing of attachments and detachments to the EME organization including the effective time if known;
- f. policy on destruction of equipment; and
- g. administrative points.

8. Following the receipt of the warning order, the battle procedure is followed as directed in unit and formation SOPs. In completion of any moves it is normal for recovery and mobile repair teams to travel at the rear of each unit and formation to complete quick repairs and keep the maximum number of vehicles moving. Depending upon the routes to be followed, it may be necessary to establish recovery posts at critical locations such as defiles to ensure that routes do not become blocked.

9. In addition to movement of EME organizations, there are numerous small packets or single vehicles of EME personnel moving about the battlefield. MRTs and recovery vehicles respond to tasks and the back-loading of equipment from ECPs and BLPs is often completed on a continuous basis. It is imperative that unit and formation SOPs outline the extent to which movement is permitted and EME personnel receive comprehensive briefings by their unit prior to undertaking on a task.

## **CAMOUFLAGE AND CONCEALMENT**

10. EME elements are required to conceal their locations from enemy observation through use of camouflage and concealment using terrain features or built-up areas. EME organizations use large and often noisy equipment which requires special effort to conceal it from the enemy. Unit and formation SOPs include sections on the standard required when camouflaging and concealing the units.

11. The requirements for camouflage and concealment differ at each level within the EME system. Unit maintenance platoons and troops are relatively small and are located in areas close to the enemy. The platoon or troop meets the camouflage and concealment requirements of the combat, combat support, or combat service support unit supported. Maintenance companies of the service battalions are usually located within a reasonable distance from the supported formation forward elements. Camouflage and concealment requirements are maintained to the same level as at the unit maintenance platoon or troop, due to the possibility of contact with the enemy. The DISGP maintenance battalion and the COSCOM brigade EME organizations are much larger and relatively more static. The requirement to conduct major repairs, etc, means that it is best to locate these organizations in large towns or cities, where concentrations of vehicles and equipment are more difficult to identify using air reconnaissance techniques.

12. The use of built-up areas poses a certain problem to EME units and formations. It is easy to conceal the organization from enemy air or ground observation by using the existing buildings to the maximum extent possible. It is very difficult to conceal the whereabouts and type of unit from the local populace, some of whom might be enemy informants. This is a factor which commanders must consider before authorizing units to deploy in towns and villages.



## SECTION 2

### LAYOUT OF EME ORGANIZATIONS

#### INTRODUCTION

13. In choosing the layout of EME organizations within a site it is necessary that the particular requirements of each type of work centre be met. Regardless of which of the EME organizations within the corps we choose to discuss, the following factors have a significant influence on how the organization's layout is selected:

- a. the headquarters should be centrally located to provide immediate command and control of the organization;
- b. the control office should be located at the entrance to the area so that it can control the influx of equipment casualties and direct their delivery to the correct section;
- c. recovery resources should be located near the out route, as they require access to the MSRs. Any casualty which the recovery vehicles return to the maintenance organization can be dropped off in any section prior to the recovery vehicle moving to its 'hide';
- d. fire control systems technicians perform repairs to sensitive and sophisticated optronic and electronic equipments which are affected by dust and vibration. FCS personnel should be located in areas which have a minimum of dust and vibration and should have their own internal routes not available to recovery resources and other heavy equipments;
- e. weapons technicians work on all sizes of weapons systems from self-propelled guns to pistols. Although most repairs on the larger weapons systems are normally completed in location, the EME organization is required to have the capability of working on equipment at its site. Therefore, weapons sections should be located with good routes off the in-route. Also, as most weapons systems have highly sophisticated optical equipment which is the responsibility of the fire control systems technicians, weapons sections should be located near the fire control systems sections;
- f. communications and radar equipment is also sensitive to dust and vibration, and should be located away from the major internal traffic routes;
- g. vehicle repair sections usually contain the majority of the technicians and vehicles which belong to the EME organization. These sections require good internal routes as casualties are most often delivered by recovery vehicles and each repair team requires sufficient space for the casualty to be sited next to it. Also, MRTs are usually located near the out-route for easy access to the MSR;

- h. materials technicians are generally required to support other sections of the EME organization. Welding sections create a great deal of noise and dust through working on metals. As their work is mostly vehicle related it is advantageous to locate the welding resources near the vehicle repair resources; and
- j. repair parts are required by all of the EME technicians, resulting in two methods of siting the repair parts section. The first option is to locate the repair parts in the centre of the organization to allow for close proximity to all sections. The alternative is to decentralize the repair parts section by sending the repair parts vehicles to appropriate sections.

14. As can be seen, the relationship between the various technicians more or less determines the layout. The remainder of this section discusses how these relationships work at each EME organizational level. It must be remembered that the layout will be determined by each EME commander after completing an estimate of the situation, as a particular layout does not often suit the piece of ground which has been allocated. Typical layouts are shown in this manual to indicate the desired working relationships between sections.

#### **LAYOUT OF A UNIT MAINTENANCE PLATOON OR TROOP**

15. The maintenance platoon or troop of a combat arms unit is usually located in the unit 'A' echelon. It can consist of from 30 to 100 technicians and the equipment and vehicles required to perform their functions.

16. The selection of a site for a unit maintenance platoon or troop is made using the following criteria:

- a. **Size.** The usual size of an area suitable for a platoon or troop is approximately 250 meters by 250 meters, for a small platoon or troop to a half grid square for the larger platoons or troops.
- b. **Working Conditions.** The most important working conditions at the platoon or troop level include -
  - (1) hard standing,
  - (2) good routes, and
  - (3) accessibility to sub-units.
- c. **Defensive Considerations.** As the platoon or troop can be located within a few kilometers of the enemy the following defensive measures are stressed -
  - (1) overhead protection,
  - (2) digging of trenches,

- (3) noise, light, and track discipline, and
- (4) constant vigilance through posting of sentries, listening posts, and patrols.

### **LAYOUT OF A DISGP SERVICE BATTALION MAINTENANCE COMPANY**

17. The DISGP service battalion maintenance company often deploys to within 20 kilometers of the forward units and is usually located in the BAA. As a second line EME organization it has all of the types of technicians found within unit maintenance platoons and troops and, in addition, has a communications repair capability.

18. The selection of a site for a DISGP service battalion maintenance company is made using the following criteria:

- a. **Size.** An area approximately three-quarters of a grid square in size is considered adequate.
- b. **Working Conditions.** The most important working conditions at the company level are -
  - (1) accessibility to the brigade MSR,
  - (2) suitable internal routes, and
  - (3) hard standing.
- c. **Defensive Considerations.** As the maintenance company is often within range of enemy indirect fire weapons, the following defensive measures are stressed -
  - (1) overhead protection (woods, etc),
  - (2) preparation of trenches,
  - (3) restrictions on movement during daylight hours,
  - (4) noise, light and track discipline, and
  - (5) constant vigilance.

19. Figure 7-1 details a typical layout of a DISGP service battalion maintenance company.

## **LAYOUT OF A BRIGADE GROUP SERVICE BATTALION MAINTENANCE COMPANY**

20. A brigade group service battalion maintenance company usually is deployed within 10 to 20 kilometers of the forward units, similar to that of the DISGP service battalion maintenance company. The most important factors in the areas of working conditions and defensive considerations are identical to those outlined in paragraphs 17 to 19.

21. The major difference between the two types of service battalion maintenance companies is the size. The brigade group service battalion maintenance company is much larger than the DISGP service battalion maintenance company, with approximately twice the manpower. It is normally deployed into two separate organizations, the FRG and the MRG. Considerations for the layout of the FRG and MRG are as follows:

a. **FRG -**

(1) is normally located well forward in the BAA, and

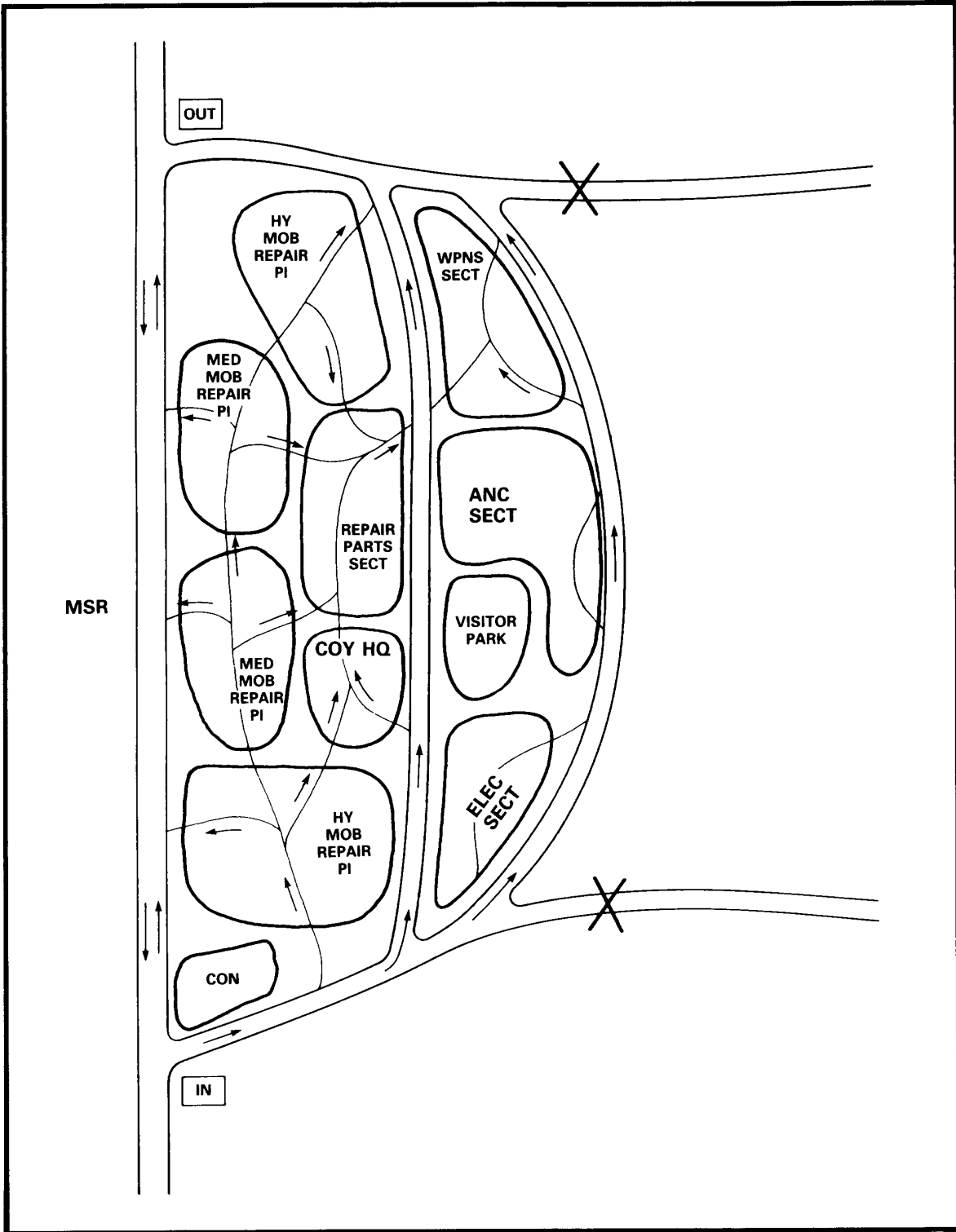


Figure 7-1 A Typical Layout of a DISGP Service Battalion Maintenance Company

- (2) requires an area approximately three-quarters of a grid square in size to provide adequate dispersal.

b. **MRG -**

- (1) is normally located at the rear of the BAA, and
- (2) it also requires an area approximately three-quarters of a grid square in size.

22. A typical layout of the MRG of a brigade group service battalion maintenance company is shown in Figure 7-2.

### **LAYOUT OF A DISGP MAINTENANCE BATTALION**

23. A DISGP maintenance battalion is located in the DAA and is usually approximately 30 to 50 kilometers behind the forward units. It provides second line support to the division troops and, it augments the brigades' maintenance resources as required. In addition it is responsible for establishing and clearing the brigades' ECPs.

24. The maintenance battalion is seldom sited as an entity. Rather the commanding officer often sites some companies as far forward in the DAA as possible while others are located to the rear of the DAA. Siting factors include:

- a. **Size.** The allocation of areas is usually based on the areas required for each of the companies rather than on a total area for the battalion. Each of the companies requires an area of a half to three-quarters of a grid square.
- b. **Working Conditions.** The highest priorities concerning working conditions are -
  - (1) a secure area which allows continuous operations,
  - (2) hard standing, and
  - (3) access to the MSR's.
- c. **Defensive Considerations -**
  - (1) overhead cover,

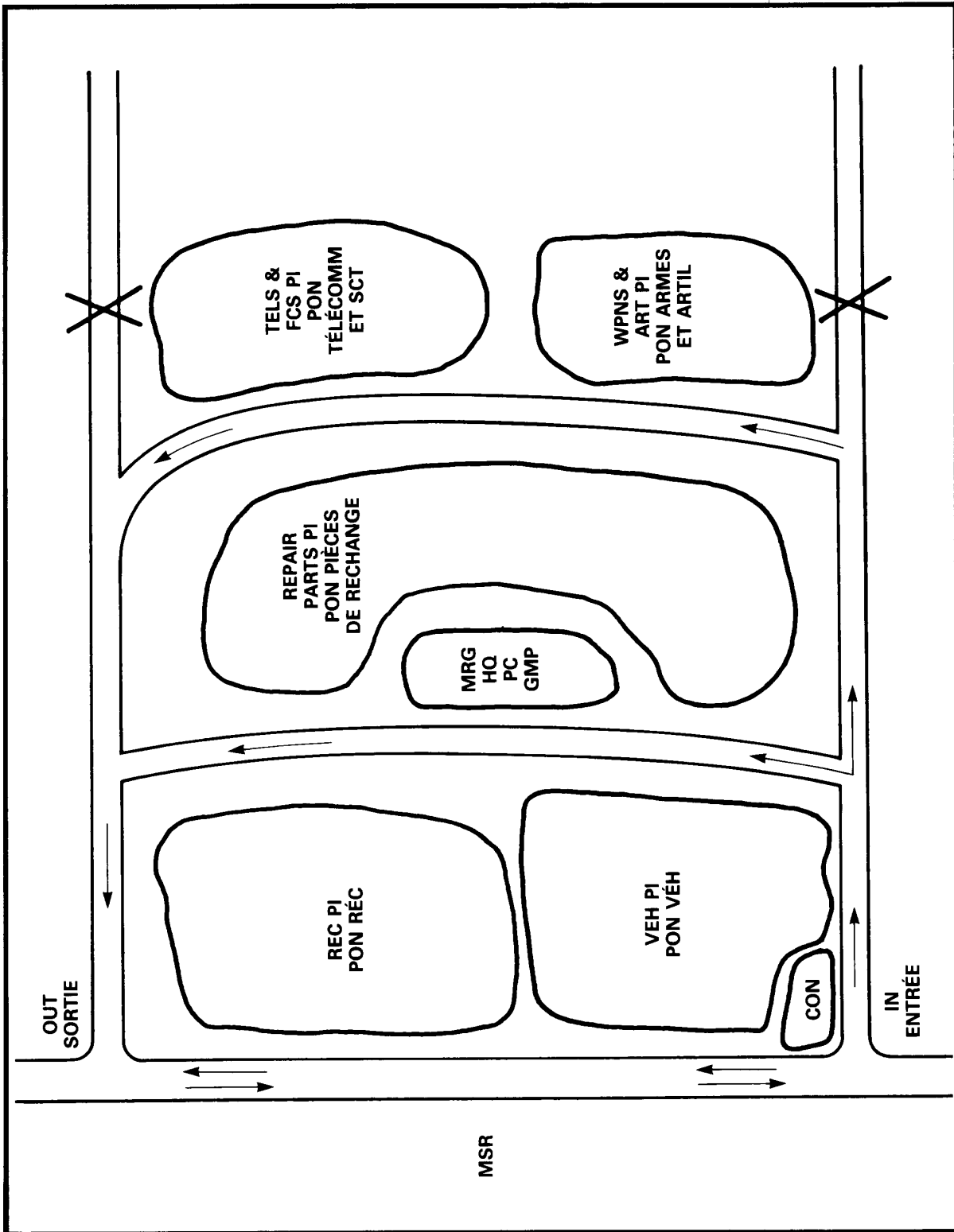


Figure 7-2 A Typical Layout of an MRG of a Brigade Group Service Battalion Maintenance Company

- (2) control of access to the area,
- (3) noise, light, and track discipline,
- (4) a reserve force of personnel capable of reacting to possible enemy activities, and
- (5) preparation of local defences.

25. Figure 7-3 shows a DAA with a typical layout of the DISGP maintenance battalion.

### **LAYOUT OF A COSCOM MAINTENANCE BRIGADE**

26. The COSCOM maintenance brigade is located in the Corps Administration Area (CAA) and can be more than 100 kilometers behind the forward units. The layout of the brigade is done by battalions as opposed to completing a layout of the entire brigade. The tasks and responsibilities to defend will generally affect maintenance brigade unit deployment. Generally deployment areas will strike a balance between security and employment requirements. Some important factors are:

- a. the heavy EME workshop battalion should be located in a large town or city whenever possible to allow assembly time procedures to be established in suitable buildings;
- b. the medium EME workshop battalion is most often located towards the front of the CAA where it can best support the corps troops and divisions;
- c. the recovery battalion is normally located near the heavy EME workshop battalion and the brigade headquarters; and
- d. the engineer and technical training company is best located in a wooded area that is away from the MSR's where effective technical training courses can be run.

27. A typical layout of the COSCOM maintenance brigade within a CAA is shown in Figure 7-4.



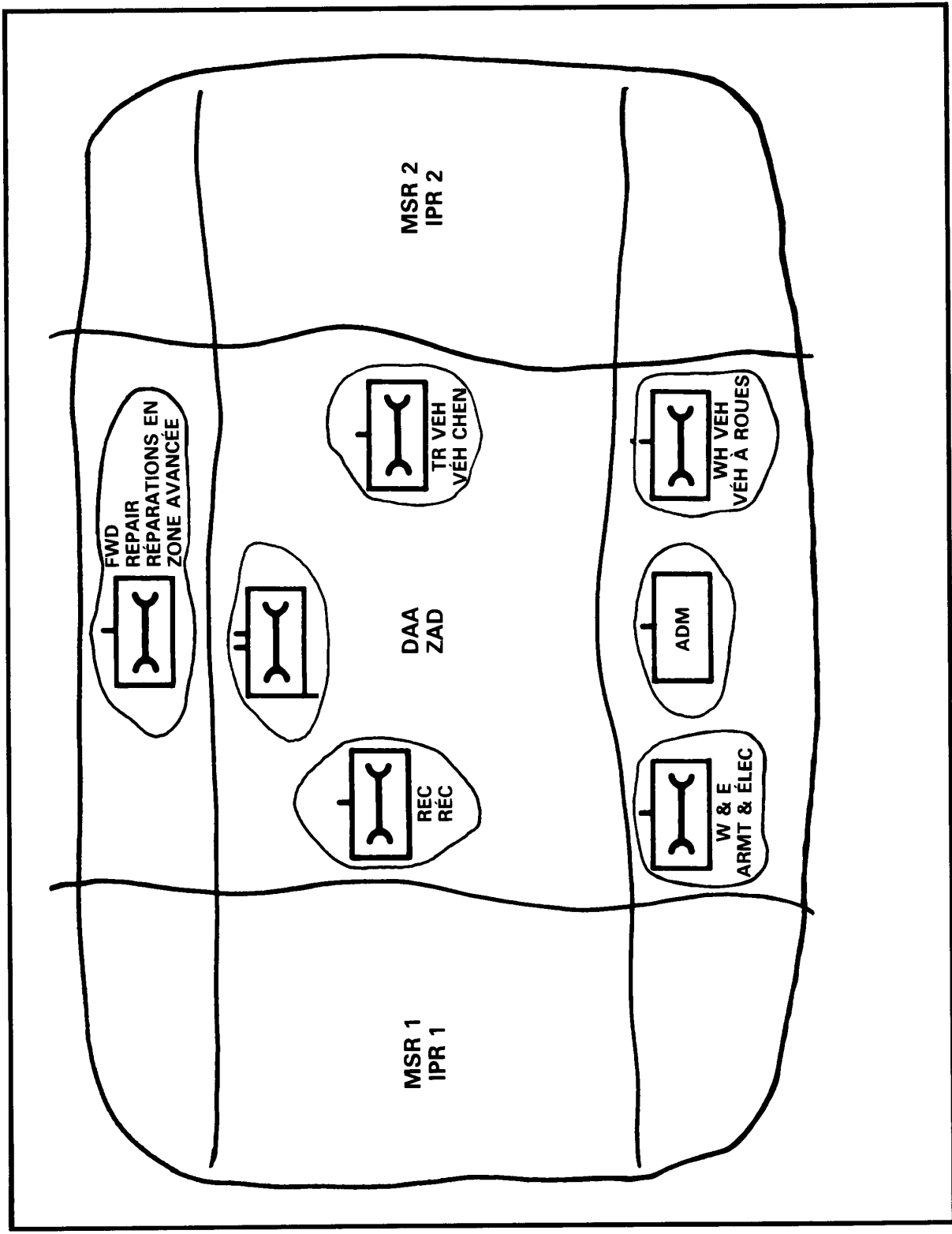


Figure 7-3 A Typical Layout of a DISGP Maintenance Battalion

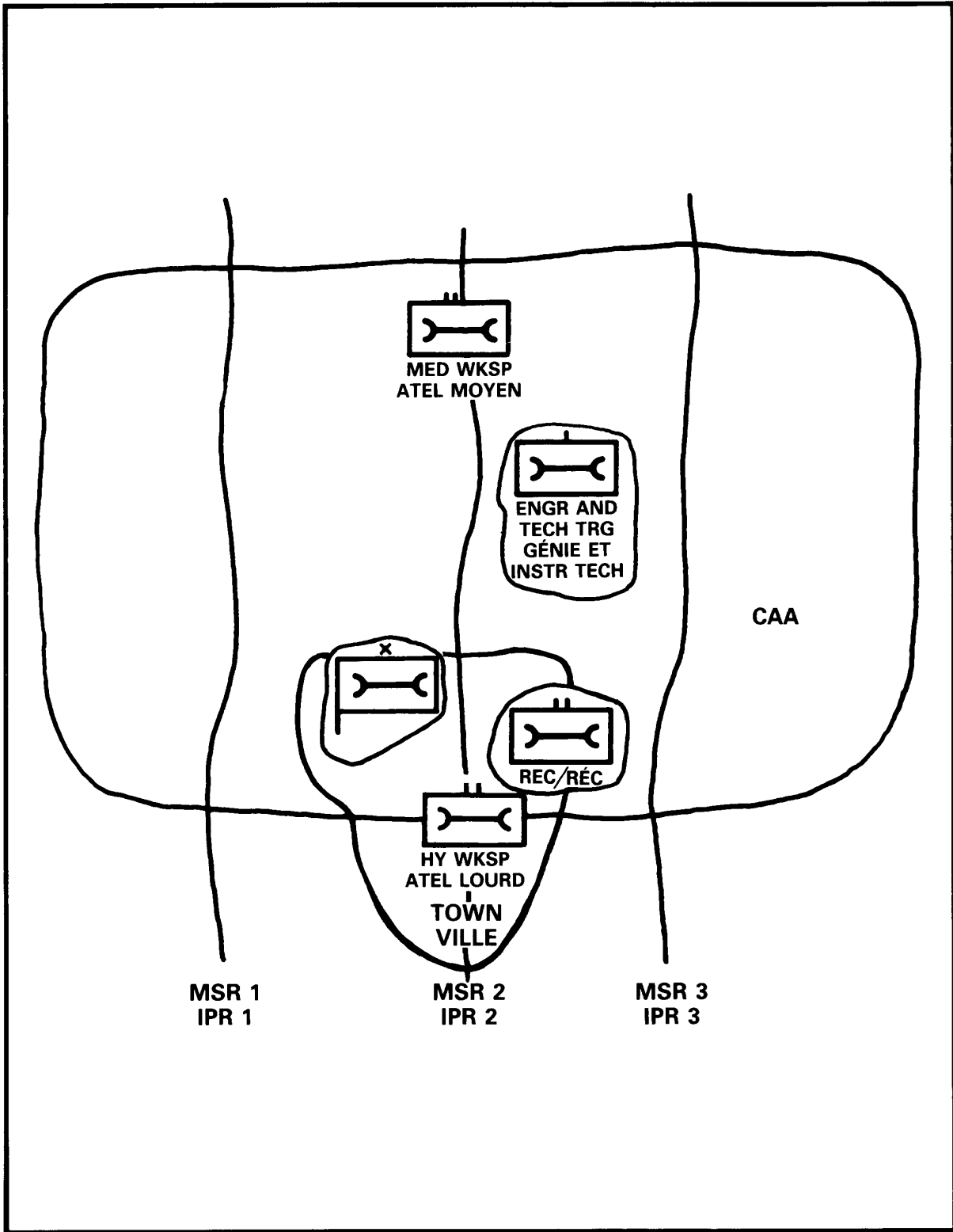


Figure 7-4 A Typical Layout of a COSCOM Maintenance Brigade

## **SECTION 3**

### **TYPES OF OPERATIONS**

#### **INTRODUCTION**

28. EME operations vary with the types of combat operations. In this section each type of operation is discussed, and the implications on the supporting EME organizations are outlined. The types of operations are discussed in the following order:

- a. defence;
- b. offence; and
- c. withdrawal.

#### **DEFENCE**

29. A defence is conducted to prevent the enemy from seizing terrain or breaking through into a defence area. It aims to break the enemy's attack, destroy its forces and stop it from accomplishing its aim.

30. EME organizations are given the responsibility of returning the maximum amount of equipment to a battleworthy state in the minimum amount of time. This is accomplished by implementing the following measures:

- a. in-location repair is to be used to the maximum extent possible;
- b. equipment inspections and non-critical modifications are curtailed;
- c. recovery resources are given continuous route clearance tasks;
- d. quick recovery and backloading of equipment casualties to ECPs and BLPs;
- e. during an assault by the enemy time restrictions on repair activities and repair priorities often change;
- f. maintenance priority may be given to the blocking or counter attacking forces at the expense of other elements; and
- g. during a counter-attack in-location repairs of high priority vehicles are completed and EME organizations prepare to move forward to support the offense.

## **OFFENCE**

31. The aim of the offence is the destruction of enemy forces and the imposition of the commander's will on the enemy.

32. EME organizations in offensive operations have the aim of ensuring that the maximum numbers of vehicles and equipment are battleworthy and that routes are kept clear. These tasks are accomplished by:

- a. conducting detailed inspections of all equipment when notified that an offensive is forthcoming, providing that sufficient time is available;
- b. establishing priorities of repair to ensure that equipment which has a greater influence on the battle receives prompt services;
- c. curtailing inspections and modifications and reducing time limits on repairs as the time for offensive action approaches;
- d. planning recovery, and prepositioning resources where possible and moving them into critical points following the movement through by the lead combat units;
- e. completing the maximum in-location repairs;
- f. having higher level EME organizations augment the repair and recovery capability of lower levels EME elements as needed; and
- g. having EME organizations ready to support further offensive operations.

## **WITHDRAWAL**

33. Our forces complete a withdrawal when the commander determines that the battle is best fought at another time and place. The aim of the withdrawal is to occupy a new defensive position with as little interference from the enemy as possible.

34. Activities of EME units during the withdrawal include keeping routes clear and recovering casualties to a location where they can be repaired or backloaded. To accomplish these tasks:

- a. the maximum amount of recovery resources should remain forward, even though most of the repair resources are among the first elements to withdraw to the new area;
- b. ECPs/BLPs are cleared prior to the start of the withdrawal, and equipment which cannot be backloaded is destroyed at the last possible moment to prevent it from falling into enemy hands;and
- c. high priority combat vehicles, such as tanks, which require minor repairs shall be repaired forward as much as possible.

## **CHAPTER 8**

### **MAINTENANCE IN VARIOUS ENVIRONMENTS**

#### **SECTION 1**

#### **GENERAL**

#### **INTRODUCTION**

1. The conduct of combat operations in extreme environments such as deserts, jungles, mountains, or in the arctic are, at best, difficult. Much of the equipment held by the combat formations is sensitive to such environments and requires extensive maintenance to ensure continued serviceability.

#### **DESERT OPERATIONS**

2. Desert areas are characterized by wide expanses of arid land with limited numbers of poor quality roads. The ground is generally covered with rocks and boulders, or with continuously moving sand dunes, making movement by vehicle very difficult. Landmarks for navigation are infrequent and amenities such as food and water are scarce. Deserts have few settlements, and these are most often situated near existing water supplies. Temperatures reach intolerably high levels during the day and drop drastically during the night.

3. Operations in this environment are difficult. It is often necessary to move great distances under little or no cover to close with the enemy. Surprise is difficult to achieve, but if achieved is most effective. Preparations for battle take extensive planning as movement of supporting arms over poor road networks must be orchestrated to allow all elements to be in position when the battle is joined. Tracked vehicles can be used in the desert, but wheeled vehicles must be kept on prepared roads. Tanks and mechanized infantry can be successful in high speed attacks from a flank or the rear.

4. These operations present many problems for EME personnel because of sand and heat, long lines of communications, poor roads, and difficulty in locating supported and supporting units. Because of these factors, air transportation is much more effective for the movement of repair teams and for the delivery of repair parts.

5. Requirements for certain maintenance tasks increase significantly in desert operations. Preventive maintenance is vital. More frequent inspections and scheduled maintenance are required. For example, it is necessary to clean air filters more frequently, to flush and clean cooling systems often, to replace filters more often, to decrease intervals between lubrications and oil changes, to clean weapons repeatedly, and to avoid sand contamination of equipment.

6. EME operations in the desert are generally influenced by the following factors:
  - a. distances to supported units are increased, and supported units may be difficult to locate when repair in location or recovery assistance is required;
  - b. passive air defence measures, such as the use of camouflage nets to hide vehicles and facilities and dispersion as a defensive measure, require an extensive effort;
  - c. holdings of certain repair parts, such as filters, bearings, and cooling system components, are increased;
  - d. EME personnel have reduced productivity during the heat of the day. As much maintenance as possible is completed at night, using blackout procedures when necessary;
  - e. requirements for assistance to supported units in the performance of operational maintenance generally increases;
  - f. to the maximum extent possible, all maintenance operations are completed under or behind shelter of some kind to prevent entry of sand into the internal components of the equipment. During repairs in location a shelter or canvass barriers are constructed to provide some protection from blowing sand; and
  - g. due to the increased mobility requirements of supported units, more emphasis on forward repair support is required.

## **JUNGLE OPERATIONS**

7. The jungle environment is characterized by rugged terrain, tropical rain forests with dense vegetation, high temperatures, heavy rainfalls, impassable or difficult road networks which in many areas are only trails, and an abundance of wild life.

8. Combat operations in the jungle invariably result in dismounted assaults with limited direct and indirect fire support. Artillery and close air support have only a limited effect as do other combat support elements. The battle is usually decided by the size and preparation of both the offensive and defensive forces and the training and ability of the soldiers in close quarter fighting. Combat units are normally equipped with light equipment scales which include a limited number of vehicles.

9. The heat and moisture of the jungle have a direct affect on the equipment. Preventive maintenance practices require strict adherence to an inspection and scheduled maintenance programme. The rough terrain and poor roads adversely affect vehicles, which generally require additional maintenance support at all levels. The increased maintenance requirements and transportation difficulties require units to carry an increased scale of repair parts. In addition, there is an added emphasis on maintenance of weapons, fire control systems, and communications equipments, which usually results in EME organizations increasing the number of technicians in these areas.

10. The availability or non-availability of trails, roads, and waterways; the density of natural growth; the season; the security of routes and general terrain conditions all have a significant influence on the type of transportation that can be used and, therefore, on the functioning of the EME system. Within the formations, forward repair is practised to the maximum extent, with air delivery of repair teams and repair parts being used when possible.

11. When support is being provided to units which are widely dispersed, the supporting second line EME organization usually augments the maintenance capabilities of the supported units. The additional technicians often complete second line repairs and augment the unit's first line capability. Second line EME organizations are often required to perform more extensive maintenance procedures than in normal operations because of the difficulty in backloading equipment.

12. Terrain conditions restrict the number of good sites available to EME organizations in jungle areas, and extensive engineering effort is usually required to prepare suitable locations. Therefore, EME organizations are not able to deploy as often as would be the case in more favorable terrain. In areas where monsoon rains occur careful consideration must be given to site selection. These limitations often result in combat service support elements being located close to one another, providing for easier local security against ground attack and guerilla activity, but greater vulnerability against air attack and indirect fire.

## **MOUNTAIN OPERATIONS**

13. Mountainous areas are typified by rugged terrain, a limited number of passable routes through and around the mountains, extensive forestation at lower levels and an abundance of precipitation in the form of rain and snow. Temperatures are generally moderate and seldom present problems to well trained soldiers.

14. Operations in the mountains are most difficult because the terrain usually gives defending troops considerable advantage over attacking troops. Formations can only move on a limited number of routes, and are often restricted to single file. Security during such moves is difficult as the enemy is capable of observation from great distances. Airborne and air-mobile operations are often the most effective as they can surprise the enemy. Close air support and indirect fire support often have only limited effect.



15. For operations in mountains areas, training and acclimatization of personnel is necessary. Adjustments to equipment is often required to permit efficient operation at higher elevations. Changes to the equipment and organization of combat, combat support, and combat service support units are often necessary, depending on the geographical area.

16. EME support in mountainous terrain is affected by the following factors:

- a. supported units have less heavy equipment such as tanks; therefore, the repair parts scales are decreased at all levels. Support requirements for some equipment, such as radios, however, increase;
- b. wear and tear on equipment are more rapid and severe than under normal environmental conditions. Weapons, radio sets, and other items of equipment are vulnerable to damage while being transported or carried in difficult terrain. Emphasis is placed on preventive and unit level maintenance by the operator and maintainer;
- c. it is often necessary to use aircraft for delivery of repair parts, movement of repair teams, and backloading of unserviceable equipment;
- d. forward augmentation and repairs in location are emphasized to reduce to a minimum the requirement to backload equipment. Second and third line EME organizations often attach elements to the supported formation or unit to meet this requirement;
- e. due to the limited number of roads, it is often necessary to use repair teams and/or recovery teams to patrol the roads. Vehicles which cannot be repaired promptly are evacuated speedily to avoid blocking the roads; and
- f. lines of communications are often extended due to the lack of suitable terrain or passable roads.

## **NORTHERN OPERATIONS**

17. The north is characterized by terrain and climatic conditions most difficult for conducting military operations. During the winter, the terrain is covered in deep snow and the climate reaches the extremes of cold and wind. In the spring and summer the temperatures are moderate, while the terrain becomes muddy and wet as the muskegs, swamps, marshes, and open waterways thaw.

18. Combat in the north is most difficult. Movement of forces requires specially designed vehicles or foot movement as road networks are poor to non-existent. Low ground pressure type vehicles are best, but have limited fire support characteristics. As a result, combat is normally conducted by troops with light equipment scales, limited fire support, and limited mobility. Airborne operations can be most effective in such conditions.

19. During the winter, combat forces in the north face extreme cold and wind. As a result, a great deal of a soldier's effort is spent in maintaining his survival. The clothing required is bulky and restrictive to movement, and motors are often kept running continuously to prevent them from freezing up. Camouflage and concealment from air and ground forces is difficult because of heat signatures of equipment and trails in the snow left by movement of personnel and equipment. Movement by personnel is slow and even the simplest tasks take two to three times longer than usual.

20. Operations in the north are best accomplished through use of specialized equipment such as tracked vehicles, sleds, and heated shelters, and special training and acclimatization of the personnel. Every item of equipment used in northern operations is affected by extreme cold and snow in winter and mud and water during the summer. The special equipment required and the seasonal effects, which tend to cause abnormal wear and tear on equipment, increase the number of maintenance related equipment problems.

21. Heated maintenance facilities are essential as equipment, once frozen solid, has many parts which become brittle. Attempting to repair frozen equipment usually results in a great deal of additional work as nuts and bolts often shear and housings, etc, crack. Repair of equipment in heated shelters, although much easier, has the disadvantage that the equipment presents a well defined infra-red signature for some time after it is repaired. Other factors which have an effect on the EME services required include:

- a. backloading of unserviceable equipment from supported units to supporting maintenance organizations is made difficult because of the terrain;
- b. forward repair is difficult because of cold weather and blowing snow, which hamper operations and reduce personnel effectiveness;
- c. repair parts scales are larger in terms of quantity and variety; and
- d. in location repair tasks and recovery operations under extreme climatic conditions take much longer than under normal conditions.

22. The requirement to keep most equipment operating continuously to prevent freezing results in an increased requirement for operator and unit level maintenance, particularly preventive maintenance. Equipment must be checked regularly and spares kept in case of breakdown.

## **NBCW OPERATIONS**

23. In war, the enemy can be expected to employ a vast array of NBC weapons once the political decision has been taken to do so. In the Warsaw Pact, NBC delivery systems exist at all levels of command from the front down to the division. Tactical nuclear weapons can be delivered by tactical ballistic missiles (TBMs) or by rocket (FROG), heavy artillery, or aircraft. Chemical weapons including lethal agents such as choking, blood, blister, nerve and myco-toxins can be delivered by all nuclear capable systems plus heavy calibre multiple rocket launchers (MRLs).

24. The Warsaw Pact threat indicates that chemical and nuclear attack can and will be used to achieve national objectives, when necessary. The use of biological agents, however, is much less likely. Therefore, this manual will not deal with the threat of biological agents.

25. This means that EME units will be under constant threat of nuclear or chemical attack and must be fully conversant with protective measures against both detection by the enemy and attack.

## **CONTAMINATION OF EQUIPMENT**

26. In an NBC environment, a major problem for EME technicians is the contamination of equipment. Many of the materials used in our equipment can easily become contaminated and be hazardous to technicians who subsequently work on it, unless they are wearing the proper protective clothing. For example, chemical agents can become suspended in the oil and grease of a vehicle which has been subjected to chemical attack and could be lethal to a technician for some time.

27. Once chemical or nuclear weapons have been used, EME units will have to ensure that NBC monitoring is being carried out. This will require that the first step in receiving equipment from any other unit is a check to ensure that the equipment is clean.

28. It is also important for EME personnel to be capable of working on contaminated equipment and returning it to the battle in the shortest period of time. This will require that all officers and technicians are trained in NBC procedures and are equipped with all of the necessary NBC protective clothing. An important consideration when working in a contaminated environment is the length of time needed to complete even the simplest of tasks. NBC clothing is restrictive, hot, and bulky, and can result in dehydration or hyperthermia if proper care is not taken. This means that personnel must be rotated more frequently, making the length of time needed to complete a task much longer than in a non-NBC environment.

## **DECONTAMINATION**

29. In general, EME facilities in the rear areas will carry out decontamination of all equipment before work begins on it. Forward EME units and sub-units will follow their commander's direction on decontamination of equipment. This direction will be based on the commander's estimate of the situation, and the tactical situation. For example, when a

commander requires all of his equipment in the battle immediately he will direct that it be repaired while still contaminated and be willing to accept the possible consequences to the technicians.

30. The senior EME officer will, of course, advise the commander on his choices. One thing that must be kept in mind is the overall objective of getting the maximum amount of equipment back in the battle. As working in an NBC environment will tend to result in a degradation of the services provided by the EME unit, it might be more efficient to decontaminate the equipment and have the technicians work in a clean environment. This is a decision which the senior EME officer must be prepared to discuss with his commander.

### **NBC POLICY IN EME UNITS**

31. The NBC policy in EME units will be laid out in formation and unit SOPs. These SOPs must be practised to ensure that all ranks are familiar with how to live and work safely in an NBC environment.

### **CONCLUSION**

32. We must be aware of the potential threat of the use of nuclear or chemical weapons on any future battlefield. Their use will have devastating affects on our army and only through preparation can we expect to achieve the commander's objectives. Proper preparation will allow us to continue to provide the EME services which will be vital to the army's continued ability to fight, despite use of NBC weapons by our enemies.

## ANNEX A

### **REFERENCES AND STANDARDIZATION AGREEMENTS**

1. The following publications are related and may be used in conjunction with this manual.

a. **Canadian Forces Publications:**

- (1) B-GL-300-000/FP-000, The Army,
- (2) B-GL-301-001/FP-001, Land Formations in Battle,
- (3) B-GL-303-001/AF-001, Corps '86 Establishments,
- (4) B-GL-303-002/FP-Z03, Army Glossary,
- (5) B-GL-304-002/FP-001, Unit Administration,
- (6) B-GL-311-000/FP-001, Administration in Battle,
- (7) B-GL-312-001/FP-001, Brigade Group Service Battalion in Battle,
- (8) B-GL-312-002/FP-001, Division Service Group in Battle,
- (9) B-GL-312-003/FP-001, Corps Service Command in Battle, and
- (10) B-GL-314-001/AF-001, The Electrical and Mechanical Engineering System.

b. **NATO Publications:**

- (1) AAP-6 NATO Glossary of Terms and Definitions, and
- (2) ATP-35, Land Forces Tactical Doctrine.

c. ABCA Quadripartite Advisory Publications: QAP 6 ABCA Armies Logistics Vocabulary.

2. The following ABCA Quadripartite Standardization Agreements (QSTAG) has been incorporated into this volume: QSTAG 171, Procedure for Requesting Repair and Recovery of LAND MILITARY TECHNICAL EQUIPMENT.

## **SOUTIEN AU COMBAT, MAINTENANCE**

### **VOLUME 2**

## **MAINTENANCE AU COMBAT**

(BILINGUE)

(Remplace la B-GL-314-002/AM-001 datée 1973-10-09, la B-GL-314-004/AM-001 datée 1973-10-29 et la B-GL-314-002/FP-001 datée 1987-06-15)

### **AVERTISSEMENT**

Quoique cette publication ne porte pas de classification de sécurité on peut en restreindre l'accès au public en tout ou en partie selon la Loi sur l'accès à l'information. Les informations qui y sont contenues doivent être examinées en détail pour déterminer si la totalité ou une partie de cette publication peut être divulguée au public.

**Publiée avec l'autorisation du Chef de l'état-major de la Défense**

## ÉTAT DES PAGES EN VIGUEUR

Insérer les pages le plus récemment modifiées et disposer de celles qu'elles remplacent conformément aux instructions applicables.

### NOTA

La partie du texte touchée par le plus récent modificatif est indiquée par une ligne verticale dans la marge. Les modifications aux illustrations sont indiquées par des mains miniatures à l'index pointé ou des lignes verticales noires.

Les dates de publication pour les pages originales et les pages modifiées sont :

page originale ..... 0 ..... 1989-09-25	Mod. .... 6 .....
Mod. .... 1 .....	Mod. .... 7 .....
Mod. .... 2 .....	Mod. .... 8 .....
Mod. .... 3 .....	Mod. .... 9 .....
Mod. .... 4 .....	Mod. .... 10 .....
Mod. .... 5 .....	Mod. .... 11 .....
	Mod. .... 12 .....

Zéro dans la colonne des modificatifs indique une page originale. La lettre E ou F indique que la modification est exclusivement en anglais ou en français. La présente publication comprend 175 pages réparties de la façon suivante :

Numéro de page	Numéro de modificatif	Numéro de page	Numéro de modificatif
Page couverture .....	0	2-1 à 2-12 .....	0
Page titre .....	0	3-1 à 3-19/3-20 .....	0
A .....	0	4-1 à 4-45/4-46 .....	0
i/ii .....	0	5-1 à 5-24 .....	0
iii/iv .....	0	6-1 à 6-22 .....	0
v/vi .....	0	7-1 à 7-20 .....	0
vi à xiii/xiv .....	0	8-1 à 8-8 .....	0
1-1 à 1-10 .....	0	A-1/A-2 .....	0

**Personne responsable : OEM Doc Prod**

## **AVANT-PROPOS**

1. La B-GL-314-002/FP-001, Soutien au combat, volume 2, Maintenance au combat, est publiée avec l'autorisation du Chef de l'état-major de la Défense.
2. La présente publication entre en vigueur dès réception. Elle remplace la B-GL-314-002/AM-001, publiée le 6 oct. 1973, la B-GL-314-004/AM-001, publiée en oct. 1973 et la B-GL-314-002/FP-001, publiée en juin 1987.
3. Les demandes de changements à apporter à la présente publication doivent être envoyées, par l'entremise des quartiers généraux de commandement, au quartier général de la Force mobile, à l'attention de l'OEM Doc Prod.



## PRÉFACE

### GÉNÉRALITÉS

1. La B-GL-314-002/FP-001, Maintenance au combat, a pour objet de décrire comment le Génie électrique et mécanique (Terre) (GEMT) soutient l'armée au combat.
2. Le présent manuel ne traite que de la maintenance assurée par le service du Génie électrique et mécanique (GEM). Les autres services de maintenance, soit ceux offerts dans les domaines de l'aviation, des services sanitaires et des télécommunications, sont traités dans les manuels des services intéressés. On en fait abstraction dans le présent manuel sauf pour clarifier la coordination entre les divers services de maintenance.
3. Le premier chapitre décrit, de façon générale, le service GEM. Aux chapitres 2 et 3, on donne un aperçu des unités composantes de l'armée de terre dans une zone d'opération, et on examine en détail le service du GEM sous l'angle de ses diverses activités de maintenance à tous les niveaux d'organisation. Aux chapitres 4, 5 et 6, on décrit les divers organismes du GEM et leur mode de fonctionnement à tous les niveaux. Le déploiement tactique des organismes du GEM est expliqué au chapitre 7, alors que le chapitre 8 porte sur les activités du GEM en milieux spéciaux.
4. Les deux principaux manuels de doctrine de l'armée de terre canadienne sont la B-GL-300-000/FP-000, L'armée de terre, et la B-GL-301-000/FP-001, Les formations terrestres au combat. Ces manuels servent de fondement aux opérations tactiques des forces terrestres. On en recommande la lecture avant d'aborder le présent manuel. D'autres manuels devraient être consultés avant l'étude du service du GEM, notamment les documents suivants :
  - a. B-GL-311-000/FP-000, L'administration au combat
  - b. B-GL-312-001/FP-001, Le bataillon des services au combat
  - c. B-GL-312-002/FP-001, Le groupe des services divisionnaires au combat
  - d. B-GL-312-003/FP-001, Corps Service Command (COSCOM) in Battle



## **TABLE DES MATIÈRES**

### **CHAPITRE 1 - INTRODUCTION**

#### **Section 1 - Généralités**

Introduction

#### **Section 2 - Rôle et tâches du Génie électrique et mécanique (GEM)**

Rôle du service du GEM

Tâches et portée du service du GEM

#### **Section 3 - Maintenance**

Niveaux de maintenance

Échelons de maintenance

Rapports entre les échelons et les niveaux de maintenance

#### **Section 4 - Principes de fonctionnement du GEM**

Introduction

La prévoyance

La souplesse

La coordination

La coopération

L'économie

La stabilité

La simplicité

La protection

L'autonomie

### **CHAPITRE 2 - LE SERVICE DU GÉNIE ÉLECTRIQUE ET MÉCANIQUE (GEM)**

#### **Section 1 - Introduction**

Généralités

Le champ de bataille

Les formations

Les organismes hiérarchiques du GEM

Les organismes d'état-major du GEM

#### **Section 2 - Contrôle technique**

Introduction

### **Section 3 - Activités du GEM**

Introduction  
Classification du matériel endommagé  
Acheminement du matériel endommagé

## **CHAPITRE 3 - ORGANISMES DU GÉNIE ÉLECTRIQUE ET MÉCANIQUE (GEM)**

### **Section 1 - Introduction**

Généralités  
Zones administratives

### **Section 2 - Organisation des unités du GEM**

Introduction  
Organisation

### **Section 3 - Ressources du GEM**

Introduction  
Main-d'oeuvre  
Véhicules  
Équipement technique  
Pièces de rechange  
Fournitures et équipements d'unité

### **Section 4 - Dépannage sur le champ de bataille**

Introduction  
Le système de dépannage sur le champ de bataille

## **CHAPITRE 4 - MAINTENANCE D'UNITÉ**

### **Section 1 - Introduction**

Généralités  
Rôle et portée

### **Section 2 - Facteurs d'organisation**

Introduction  
Caractéristiques de la troupe ou du peloton de maintenance  
Facteurs d'organisation

### **Section 3 - Ressources**

Généralités  
Main-d'oeuvre  
Véhicules  
Équipement technique  
Pièces de rechange  
Fournitures et équipement d'unité

### **Section 4 - Commandement et contrôle**

Maintenance centralisée et décentralisée  
Chaîne de commandement dans une unité  
Principaux postes  
Communications

### **Section 5 - Les activités du GEM au niveau de l'unité**

Réparations effectuées au niveau de l'unité  
Pièces de rechange  
Dépannage au niveau de l'unité  
Inspections techniques  
Modifications

### **Section 6 - Maintenance des unités de combat, d'appui au combat et de soutien au combat**

Généralités  
Le peloton de maintenance du bataillon d'infanterie  
La troupe de maintenance du régiment blindé  
La troupe de maintenance du régiment de reconnaissance blindé  
La troupe de maintenance du régiment d'artillerie  
Le peloton de maintenance du régiment antiblindé  
La troupe de maintenance du génie de campagne  
La troupe de maintenance du régiment du commandement et des transmissions  
La section de maintenance terrestre de l'escadron d'aviation tactique  
La section ou le peloton de maintenance d'unité de bataillon des services  
La section de maintenance de l'Ambulance de campagne  
La section de maintenance de compagnie de la police militaire (PM)  
La maintenance du groupement tactique

## **CHAPITRE 5 - SOUTIEN DU GÉNIE ÉLECTRIQUE ET MÉCANIQUE (GEM) DE DEUXIÈME ÉCHELON**

### **Section 1 - Généralités**

Introduction

Responsabilités des organismes du GEM de deuxième échelon

Facteurs d'organisation

Mode de fonctionnement

### **Section 2 - Le bataillon des services du Groupe des services divisionnaires (GSD)**

Introduction

Organisation

Moyens

### **Section 3 - La compagnie de maintenance du bataillon des services du groupe-brigade**

Introduction

Organisation et moyens

### **Section 4 - Le bataillon de maintenance du GSD**

Introduction

Organisation et moyens

### **Section 5 - Les états-majors du GEM de la division et de la brigade**

Introduction

L'état-major de la maintenance G4 de la brigade

L'état-major de la maintenance G4 de la division

L'état-major de la maintenance G4 du quartier général du GSD

## **CHAPITRE 6 - LA BRIGADE DE MAINTENANCE DU COSCA**

### **Section 1 - Généralités**

Introduction

Responsabilités d'un organisme du GEM de troisième échelon

Facteurs d'organisation

Mode de fonctionnement

## **Section 2 - L'organisme du GEM de troisième échelon**

Introduction

Organisation

Le quartier général de la brigade de maintenance

Le bataillon d'ateliers lourds du COSCA

Le bataillon d'ateliers moyens du COSCA

Le bataillon du dépannage

Le bataillon du génie et de l'instruction technique

## **Section 3 - Les états-majors du GEM des quartiers généraux du COSCA et du corps d'armée**

Introduction

L'état-major du GEM du quartier général du corps d'armée

L'état-major du GEM du quartier général du COSCA

## **CHAPITRE 7 - DÉPLOIEMENT ET MANOEUVRES TACTIQUES DES ORGANISMES DU GEM**

### **Section 1 - Généralités**

Introduction

Défense et protection

Emplacements

Mouvements

Camouflage et dissimulation

### **Section 2 - Disposition des organismes du GEM**

Introduction

Installation d'une troupe ou d'un peloton de maintenance d'unité

Installation d'une compagnie de maintenance du bataillon des services du GSD

Installations d'une compagnie de maintenance du bataillon des services du groupe-brigade

Installations d'un bataillon de maintenance du GSD

Installations de la brigade de maintenance du COSCA

### **Section 3 - Types d'opérations**

Introduction

Opérations défensives

Opérations offensives

Repli

## **CHAPITRE 8 - LA MAINTENANCE DANS DIFFÉRENTES CONDITIONS**

### **Section 1 - Généralités**

Introduction

Les opérations dans le désert

Les opérations dans la jungle

Les opérations dans les montagnes

Les opérations dans les régions septentrionales

Les opérations de guerre NBC

Contamination de l'équipement

Décontamination

Ligne de conduite en matière de guerre NBC pour les unités du GEM

Conclusion

### **ANNEXE A - DOCUMENTS DE RÉFÉRENCE ET ACCORDS DE STANDARDISATION..A-1/A-2**



## LISTE DES FIGURES

### FIGURE TITRE

- 1-1 Échelons et niveaux de maintenance
  
- 2-1 Organisation territoriale d'une zone d'opérations
- 2-2 La zone du corps d'armée
- 2-3 Composition type d'un corps d'armée
- 2-4 La division mécanisée
- 2-5 La division blindée
- 2-6 La brigade mécanisée
- 2-7 La brigade blindée
- 2-8 Organisation du groupe des services divisionnaires (GSD)
- 2-9 La chaîne du contrôle technique
  
- 3-1 Zones administratives de formation montrant les organismes du GEM
- 3-2 Modèle fonctionnel du GEM
- 3-3 Le peloton de maintenance d'un bataillon d'infanterie
- 3-4 La compagnie de maintenance d'un bataillon des services du groupe des services divisionnaires (GSD)
- 3-5 Le bataillon de maintenance du GSD
- 3-6 La brigade de maintenance du Commandement de soutien du corps d'armée (COSCA)
- 3-7 Le système de dépannage sur le champ de bataille
  
- 4-1 Le système d'échelons
- 4-2 Organigramme d'une troupe ou d'un peloton de maintenance type
- 4-3 Exemples des commandements centralisé et décentralisé du personnel du GEM
- 4-4 Un bataillon d'infanterie
- 4-5 Un régiment blindé
- 4-6 Un régiment de reconnaissance blindé
- 4-7 Un régiment d'appui rapproché moyen
- 4-8 Un bataillon antiblindé
- 4-9 Un régiment du génie de campagne
- 4-10 Un régiment du commandement et des transmissions
- 4-11 Un escadron d'observation
- 4-12 Un bataillon des services du GSD
- 4-13 Un bataillon des services du groupe-brigade
- 4-14 Ambulance de campagne
- 4-15 Une compagnie de la police militaire
  
- 5-1 Une compagnie de maintenance d'un bataillon des services du GSD
- 5-2 Déploiement type d'un groupe logistique avancé (GLA)
- 5-3 Une compagnie de maintenance du bataillon des services du groupe-brigade
- 5-4 Organigramme d'un bataillon de maintenance du GSD

- 5-5 L'état-major de l'administration de la brigade
- 5-6 L'état-major de l'administration de la division (zone arrière de division)
- 5-7 Organigramme d'un quartier général du GSD
  
- 6-1 La brigade de maintenance du COSCA
- 6-2 Quartier général de la brigade de maintenance
- 6-3 Le bataillon d'ateliers lourds du COSCA
- 6-4 Le bataillon d'ateliers moyens du COSCA
- 6-5 Le bataillon du dépannage du COSCA
- 6-6 Le bataillon du génie et de l'instruction technique du COSCA
- 6-7 L'état-major du GEM du quartier général du corps d'armée
  
- 7-1 Les installations types d'une compagnie de maintenance du bataillon des services du GSD
- 7-2 Les installations types d'un GMP d'une compagnie de maintenance du bataillon des services du groupe-brigade
- 7-3 Les installations types d'un bataillon de maintenance du GSD
- 7-4 Les installations types de la brigade de maintenance du COSCA

# **CHAPITRE 1**

## **INTRODUCTION**

### **SECTION 1**

#### **GÉNÉRALITÉS**

#### **INTRODUCTION**

1. Depuis l'Empire romain, les armées sont conscientes du besoin d'affecter du personnel à la réparation de l'équipement. Au cours des années, avec l'introduction d'un équipement de plus en plus complexe et sophistiqué, il est devenu nécessaire de recourir à des spécialistes de maintenance hautement qualifiés.
2. Au cours de la Deuxième guerre mondiale, on a mis sur pied, le 15 mai 1944, un corps de spécialistes, le Royal Canadian Electrical and Mechanical Engineers (RCEME). Ce corps a été remplacé par la suite par la direction du Génie du matériel terrestre (GMTER), qui porte maintenant le nom de service du Génie électrique et mécanique (Terre) (GEMT). On a établi le service du Génie électrique et mécanique (GEM) pour répondre aux besoins de plus en plus complexes des unités appuyées. On trouvera dans la B-GL-314-001/AF-001, Le service de génie électrique et mécanique, un historique plus détaillé du service du GEMT.
3. Ce sont les officiers et les militaires sortis du rang (MR) du service du GEMT qui occupent les principaux postes hiérarchiques et fonctionnels du service du GEM. Du personnel d'autres services, notamment le service du Génie électronique et des communications (GECOM) et celui de la Logistique, participe également aux activités du service du GEM.

## **SECTION 2**

### **RÔLE ET TÂCHES DU GÉNIE ÉLECTRIQUE ET MÉCANIQUE (GEM)**

#### **RÔLE DU SERVICE DU GEM**

4. Le service du GEM au combat a pour rôle d'assurer le bon fonctionnement de toutes les armes de combat, des armes d'appui au combat et de tout l'équipement de soutien au combat.

#### **TÂCHES ET PORTÉE DU SERVICE DU GEM**

5. Le présent manuel décrit les principes et modes de fonctionnement, l'organisation ainsi que les systèmes propres aux organismes de maintenance du corps. On peut considérer que la doctrine exposée dans le présent manuel s'applique à tous les types d'activités militaires, sauf à la maintenance liée à l'aviation, aux services sanitaires et aux télécommunications (cryptographes et téléscribes uniquement), maintenance qui relève des affiliations respectives de ces groupes.

6. Les organismes du Génie électrique et mécanique s'occupent de la maintenance de tout l'équipement dont se sert l'armée de terre, notamment la réparation, l'entretien courant, le dépannage, l'inspection, la modification, la cannibalisation, l'emprunt de pièces, la remise en état, la réclamation, l'étalonnage, la mécanique, les barèmes de dotation et le rejet de l'équipement.

7. Représenté dans toutes les unités sur le champ de bataille, le personnel du GEMT doit être prêt à remplir ses fonctions dans les conditions les plus difficiles, y compris sous le tir ennemi, en milieu de guerre nucléaire, biologique et chimique (NBC) et dans des climats extrêmes.

## SECTION 3

### MAINTENANCE

#### NIVEAUX DE MAINTENANCE

8. Le niveau de maintenance correspond à la mesure du travail de maintenance et de génie que la tâche exige. On classe les tâches en quatre niveaux de maintenance afin de situer les utilisateurs du service du GEM par rapport au champ de responsabilités de chacune des quatre lignes de maintenance. C'est au dernier niveau que les ressources de maintenance et de génie sont les plus considérables. Les niveaux de maintenance se définissent comme suit :

- a. **Niveau un.** Au niveau un, on effectue principalement la maintenance préventive et l'entretien courant, le diagnostic préliminaire des défauts et certaines tâches simples de maintenance corrective.
- b. **Niveau deux.** Au niveau deux, la maintenance corrective consiste principalement à réparer ou à remplacer des pièces et des ensembles.
- c. **Niveau trois.** À ce niveau, la maintenance vise à remettre en état les ensembles tels que les moteurs, les mécanismes d'entraînement, les canons, les ensembles électriques ou électroniques, et à étalonner l'équipement mécanique d'essai et de diagnostic. On peut aussi avoir besoin de servir d'une chaîne de montage, d'un appareillage d'essai spécial et de moyens limités de fabrication.
- d. **Niveau quatre.** La maintenance de niveau quatre consiste en la remise en état complète du matériel. Ceci comprend la fabrication complète selon les plans. Le travail englobe la remise à neuf, les modifications, l'amélioration de mi-durée, le prolongement et la récupération. Comme ce niveau comprend aussi le travail à la chaîne, l'utilisation d'un appareillage spécial d'essai et la fabrication, il faut normalement disposer d'installations permanentes du genre de celles qu'on trouve dans un dépôt d'ateliers ou chez un fabricant.

#### ÉCHELONS DE MAINTENANCE

9. Un échelon de maintenance comporte essentiellement deux aspects. D'une part, les besoins opérationnels exigent qu'on fournisse d'urgence les services de maintenance aux utilisateurs d'équipement et d'autre part, il faut envisager la somme de ressources de génie et de maintenance nécessaires à entretenir l'équipement pendant sa durée de vie utile. Le service de maintenance le plus immédiat (le premier échelon) a pour fonction de réparer l'équipement et de le retourner le plus rapidement possible à l'utilisateur. Les limites du travail à effectuer à un échelon donné dépendent de ce qu'on peut effectuer comme maintenance dans tel et tel environnement tactique et des éléments inhérents au niveau de maintenance assuré. Plus on recule dans la chaîne de maintenance, plus les échelons de réparation fixes sont bien équipés et perfectionnés. Voici les quatre échelons de maintenance :

- a. **Premier échelon.** Il s'agit du premier organisme de maintenance vers lequel se tourne l'utilisateur. On y effectue principalement la maintenance des pièces et des assemblages secondaires de niveau un et parfois de niveau deux. On y trouve des opérateurs et des techniciens. La plupart des grandes unités disposent soit d'une troupe, soit d'un peloton pour effectuer la maintenance de premier échelon de l'équipement dont elles sont dotées.
- b. **Deuxième échelon.** Il s'agit du deuxième organisme de maintenance vers lequel se tourne l'utilisateur. On y effectue la maintenance de niveau deux ainsi que certains travaux de niveau trois. À l'instar du premier échelon, l'organisme peut remettre une pièce d'équipement en état dans les plus brefs délais; la réparation se fait le plus à l'avant possible, compte tenu de la situation tactique et des moyens techniques. Cet échelon constitue un complément du premier et assure des services de maintenance de niveau un aux unités soutenues n'ayant pas d'organisme interne de maintenance.
- c. **Troisième échelon.** Le troisième organisme vient appuyer le deuxième échelon. Il effectue la maintenance des niveaux deux et trois. Alors qu'au deuxième échelon, on est limité surtout par le temps dont on dispose, au troisième, on est plutôt limité par les ressources de maintenance. À ce niveau, on assure également les services de maintenance de niveau un aux unités dépourvues de ressources de maintenance intégrées.
- d. **Quatrième échelon.** Le quatrième échelon effectue principalement la maintenance des niveaux quatre et trois que les organismes du GEM du deuxième ou du troisième échelon ne sont pas en mesure d'effectuer. C'est le dernier organisme de maintenance du service du GEM; il vient appuyer les autres échelons et de ce fait, assurer les services techniques de maintenance. Les dépôts d'atelier du GEM, les fabricants et les entrepreneurs civils font partie des organismes de quatrième échelon.

## **RAPPORTS ENTRE LES ÉCHELONS ET LES NIVEAUX DE MAINTENANCE**

10. La figure 1-1 illustre les rapports entre les échelons et les niveaux de maintenance dans le système du GEM. L'envergure des échelons et des niveaux de maintenance sera expliquée tout au long du manuel.

<b>Line Échelon</b>	<b>Capabilities Moyens</b>	<b>Organization Organisation</b>	<b>Characteristics Caractéristiques</b>
First Line  Premier échelon	Level one and limited level two maintenance.  Maintenance de niveau un et maintenance limitée de niveau deux.	Integral maintenance section, platoon, or troop.  Section, peloton ou troupe interne de maintenance.	Organizations are light and mobile.  Les organismes sont légers et mobiles.
Second Line  Deuxième échelon	Level one, two and limited level three maintenance.  Maintenance de niveau un, de niveau deux et maintenance limitée de niveau trois.	Maintenance Company of a Brigade Service Battalion or Maintenance Battalion of a Division Services Group (DISGP).  Compagnie de maintenance d'un bataillon des services de brigade ou bataillon de maintenance d'un groupe des services divisionnaires (GSD).	Organizations are mobile and are limited mainly by time available to complete maintenance tasks.  Les organismes sont mobiles et limités surtout par le temps dont ils disposent pour exécuter leurs tâches.

Figure 1-1 (page 1 de 2) Échelons et niveaux de maintenance

<b>Line Échelon</b>	<b>Capabilities Moyens</b>	<b>Organization Organisation</b>	<b>Characteristics Caractéristiques</b>
Third Line  Troisième échelon	Levels two and three maintenance.  Maintenance des niveaux deux et trois.	A Maintenance Brigade in a Corps Services Command (COSCOM).  Une brigade de maintenance dans un Commandement de soutien du corps d'armée (COSCA).	Maintenance brigades have limited mobility and are less limited by the time available to complete tasks. The major constraint is maintenance resources available.  Les brigades de maintenance ont une mobilité restreinte mais disposent de plus de temps pour effectuer leur travail. Elles sont limitées surtout par le manque de ressources à leur disposition.
Fourth Line  Quatrième échelon	Level four maintenance and any overflow of level three maintenance.  Maintenance de quatrième niveau et tout surplus de maintenance de troisième niveau.	These maintenance organizations include large maintenance workshop depots, manufacturers and civilian contractors. They are generally found behind the Corps Rear Boundary.  Les gros dépôts d'ateliers, les fabricants et les entrepreneurs civils font partie des organismes de maintenance. Ils se trouvent généralement à l'arrière de la limite arrière du corps.	Workshop depots are static and have full manufacturing and production line capabilities.  Les dépôt d'ateliers sont fixes et bénéficient de tous les avantages qu'offrent les installations de fabrication et les chaînes de production.

Figure 1-1 (page 2 of 2) Échelons et niveaux de maintenance

## SECTION 4

### PRINCIPES DE FONCTIONNEMENT DU GEM

#### INTRODUCTION

11. Au cours des ans, on en est arrivé à énoncer un certain nombre de grands principes régissant les activités du service du GEM :

- a. on doit réparer l'équipement aussi près que possible de l'endroit où il est tombé en panne afin de minimiser le temps d'immobilisation;
- b. le service du GEM est responsable du dépannage et de l'envoi à l'arrière de l'équipement;
- c. le commandant supérieur du GEM doit assumer le contrôle technique;
- d. il est essentiel d'établir un programme de maintenance préventive pour que l'équipement demeure dans le meilleur état de fonctionnement possible;
- e. les échelons de maintenance supérieurs doivent prêter main forte le plus possible aux échelons inférieurs;
- f. un service de maintenance de premier échelon peut être autorisé à effectuer des tâches normalement dévolues aux échelons supérieurs;
- g. tout le personnel du GEM doit être pleinement conscient de l'utilité opérationnelle de l'équipement à réparer;
- h. il incombe au service du GEM d'établir les barèmes de dotation en pièces de rechange;
- j. le service du GEM doit être en mesure d'assurer la maintenance de tout l'équipement opérationnel qu'il est chargé de réparer; et
- k. comme une gestion saine est garante d'un soutien efficace, elle doit reposer sur des renseignements tout aussi précis qu'opportuns.

12. Le service du GEM est un des éléments du service de soutien au combat qui appuient l'armée de terre dans ses opérations. Il faut lire la B-GL-314-001/AF-001, Le service de génie électrique et mécanique, pour comprendre le service du GEM dans son ensemble. Ce manuel-clé expose les principes d'administration qui s'appliquent intégralement au service du GEM. Les voici :



## **LA PRÉVOYANCE**

13. Plus que n'importe quel facteur, c'est la prévoyance qui contribue, dans presque tous les cas, au succès d'une entreprise. Cela se vérifie plus particulièrement au niveau de la planification et du contrôle du génie électrique et mécanique. Pour pouvoir établir un plan réalisable, il faut procéder à l'analyse minutieuse des activités à venir et connaître à fond le matériel et l'état dans lequel il se trouve. Les imprévus nuisent considérablement à la maintenance, font perdre énormément de temps et compromettent gravement l'efficacité des opérations. Prévoir à la lumière des faits connus et de l'expérience passée, c'est limiter le plus possible les situations d'urgence et permettre ainsi au personnel de la maintenance de se concentrer sur les tâches prévues ou planifiées. Prévoir une réserve suffisante de pièces pour faire face aux imprévus, c'est aussi limiter au minimum les interruptions dans les opérations.

14. Pour le génie électrique et mécanique, prévoir, c'est se baser sur des renseignements préliminaires. L'état-major des opérations doit donc associer le personnel technique le plus vite possible à la planification, de préférence dès l'étape conceptuelle; sinon, la mission risque d'avorter par manque d'équipement ou à défaut, le service du GEM devrait fournir un effort tel que cela entraînerait du gaspillage et nuirait aux missions opérationnelles en cours ou à venir.

## **LA SOUPLESSE**

15. La guerre n'est jamais sûre; la façon de la mener varie selon les circonstances et la partie n'est jamais gagnée d'avance. Les situations et les méthodes évoluent rapidement et dans des directions imprévues, à un point tel que sur le champ de bataille, on peut dire que le changement devient la norme. Pour survivre dans de telles conditions, il faut beaucoup de souplesse de la part de l'individu et du groupe. Un être inflexible est incapable de fournir l'effort d'imagination nécessaire pour lui permettre de trouver les solutions aux situations imprévues; une organisation tout aussi inflexible est à son tour incapable d'innover pour contourner les difficultés particulières.

16. Pour se montrer souple, il faut prévoir et contrôler : prévoir, pour éviter le plus possible les situations où il faut improviser, et contrôler, pour adapter rapidement les plans aux circonstances. Toutefois, en dernier ressort, la mise à exécution d'un nouveau plan, quel qu'il soit, dépend de la facilité avec laquelle l'organisme peut regrouper ses forces et se remettre en position, et de la faculté que chacun a de faire face à de nouvelles situations requérant des solutions originales.

17. Les organismes doivent posséder les communications et la mobilité nécessaires pour effectuer les changements importants qui peuvent survenir à la suite des modifications, mineures en apparence, qui ont été apportées à un plan d'opération. Pour pouvoir apporter des changements tout en restant efficace, il faut s'entraider comme par instinct.

## **LA COORDINATION**

18. La coordination constitue l'un des aspects du commandement et suit en général la voie hiérarchique. Elle doit faire partie des fonctions de planification et de direction inhérentes au commandement; elle relève du commandant et de son état-major.

19. Pour pouvoir entretenir, distribuer et utiliser la vaste gamme de matériels dont est responsable le service du Génie électrique et mécanique, il faut pouvoir compter sur un grand nombre d'unités, de sous-unités, de détachements et d'éléments de maintenance et de génie. Pour que les ressources du service du GEM soient gérées efficacement, il est indispensable que les travaux de génie et de maintenance soient coordonnés au plus haut niveau possible. Pour que les installations du service soient exploitées efficacement, la coordination doit en être assurée par les officiers des états-majors du génie électrique et mécanique de chaque niveau. Les instructions émanant des autorités techniques doivent être mises à exécution, mais celles du commandement l'emportent sur toutes les autres. Pour bien gérer les éléments du service, il faut appliquer rigoureusement le principe de la coordination.

## **LA COOPÉRATION**

20. Pour que le service du GEM remplisse son mandat, il faut qu'il communique et qu'il coopère étroitement avec ceux qui y ont recours. Étant donné la diversité du matériel et des unités desservies, tous les officiers du GEM doivent demeurer en contact étroit avec les organismes qu'ils soutiennent, pour s'assurer que ces derniers font appel au service du GEM et en sont satisfaits. De plus, tout le personnel du service doit toujours être renseigné de façon à pouvoir contribuer de son mieux à l'effort collectif d'entretien et de génie.

21. Les relations que créent les contacts personnels, le voisinage constant et le fait de partager les mêmes installations tendent à réduire le nombre de désaccords et à améliorer la collaboration. Les unités et sous-unités qui connaissent bien leurs méthodes respectives peuvent souvent, par prévoyance et anticipation, prévenir certains problèmes d'entretien. La confiance bâtie au gré des contacts quotidiens peut régler de nombreuses questions avant qu'elles ne posent problème.

22. La coopération s'apparente à la coordination à de nombreux points de vue, sauf qu'elle n'a pas à respecter la voie hiérarchique. Il faut souvent coopérer là où, par mégarde, les plans ou les ordres ont oublié le principe de la collaboration.

## **L'ÉCONOMIE**

23. Respecter le principe de l'économie, c'est déployer suffisamment de ressources et d'efforts pour atteindre sans gaspillage l'objectif suivant : calculer d'avance et avec exactitude les ressources nécessaires pour obtenir tel et tel résultat. Économiser, c'est s'assurer qu'on obtient le maximum au regard des ressources allouées : pareil résultat est éminemment souhaitable, en temps de guerre comme en temps de paix.

24. Pour ne pas gaspiller ses ressources ni ses efforts, sans non plus réaliser de fausses économies, il faut prévoir les besoins et faire les choix qui donneront les meilleurs résultats. La véritable économie consiste à réussir une mission avec les ressources allouées tout en se gardant une réserve suffisante.

## **LA STABILITÉ**

25. La stabilité est inhérente à la fonction du service du GEM. Il est évident que l'entretien ne peut pas s'effectuer sans un minimum de stabilité. La maintenance effectuée à chaque échelon dépend du degré de stabilité de chacun. Le principe de la stabilité a donc un effet primordial sur l'ensemble de l'organisation et sur son mode de fonctionnement.

26. Il s'agit, en assurant la stabilité de l'organisation, d'augmenter la production. La stabilité physique et d'organisation est relative et fonction de l'unité ou de la formation soutenue. Il en est de même des organismes de soutien qui doivent faire preuve de la même souplesse et de la même mobilité que l'unité ou la formation qu'ils soutiennent.

## **LA SIMPLICITÉ**

27. Il est évident, aux yeux de quiconque doit les mettre à exécution, que les ordres et les plans doivent être simples. Ce qui est simple est plus facile à comprendre, donc plus facile à réussir. Il peut arriver qu'on perde de vue ce principe militaire dans la maîtrise de projets complexes de génie. Avant de prévoir des solutions à des problèmes d'ordre militaire, il faut toujours poser tous les éléments d'une situation donnée en termes clairs. Pour que tout reste simple, il faut établir des IPO, des méthodes de travail et des principes clairs et bien compris, qu'on s'efforcera de mettre en pratique tous les jours.

## **LA PROTECTION**

28. Le personnel du GEM doit être entièrement qualifié et participer à toutes les facettes du service en campagne. Certes, les organismes du service du GEM doivent être en mesure de se protéger en campagne. Toutefois, ils ne peuvent pas s'acquitter de leur mission - celle d'assurer le bon fonctionnement du matériel terrestre - si leurs personnels doivent passer leur temps à se défendre contre l'ennemi. Les commandants se doivent donc de leur garantir un environnement et des conditions de travail sûres, en appliquant les principes de la prévoyance et de la coordination, et ceci afin d'assurer en priorité le bon fonctionnement du matériel.

## **L'AUTONOMIE**

29. Pour être autonome, une formation doit disposer de l'appui tactique et logistique ainsi que du soutien au combat qui lui permettront d'accomplir sa mission. Trois raisons militent en faveur de l'autonomie :

- a. la grande consommation de munitions, de matières premières et d'équipement sur le champ de bataille moderne;

- b. la rapidité avec laquelle les formations peuvent se déplacer; et
- c. les retards dans le ravitaillement découlant de a. et de b.

30. Les organismes du GEM, à tous les niveaux, doivent être autonomes, qu'il s'agisse de l'équipe mobile de réparation (EMR) qui part en mission, du peloton de dépannage qui doit dégager un point de rassemblement du matériel envoyé à l'arrière (PEVAR), ou de la compagnie de maintenance qui a à soutenir une brigade.

## **CHAPITRE 2**

### **LE SERVICE DU GÉNIE ÉLECTRIQUE ET MÉCANIQUE (GEM)**

#### **SECTION 1**

#### **INTRODUCTION**

##### **GÉNÉRALITÉS**

1. Dans le présent manuel, les fonctions de maintenance dans la zone des communications (Z COMM) seront tout juste esquissées, alors que les activités de maintenance se déroulant normalement dans la zone de combat (ZC) seront traitées en détail.

##### **LE CHAMP DE BATAILLE**

2. Le corps constitue la principale formation de combat de l'armée de terre. C'est pourquoi le présent document, intitulé la Maintenance au combat, porte sur le fonctionnement du service du GEM dans le contexte d'un corps canadien.

3. La figure 2-1 montre une zone d'opération type, composée d'une ZC et d'une Z COMM. La Z COMM est située derrière la limite arrière du corps d'armée et comprend les grandes installations administratives nécessaires au soutien du corps. La ZC, elle, correspond à la zone située à l'avant de la limite arrière de corps. On n'y trouve que le matériel et le personnel nécessaires au combat. Comme le présent manuel ne traite que des questions touchant le génie électrique et mécanique au niveau du corps, on ne s'intéressera qu'à la zone située à l'avant de la limite arrière du corps.

4. La figure 2-1 montre comment se divise un corps d'armée. Chaque corps comprend un nombre variable de divisions (trois en général), lesquelles se subdivisent en un certain nombre de brigades (trois en général).

##### **LES FORMATIONS**

5. Le corps d'armée. Le corps d'armée est la principale formation de combat dans la zone d'opérations. Il peut comprendre, selon les besoins, un certain nombre de divisions blindées et d'infanterie ainsi que de troupes du corps d'armée, composées d'autres formations et d'unités de combat, d'appui au combat et de soutien au combat. Bien qu'il faille de deux à cinq divisions pour constituer un corps d'armée, ce dernier en compte trois d'habitude. L'organisation type d'un corps d'armée est présentée à la figure 2-3.

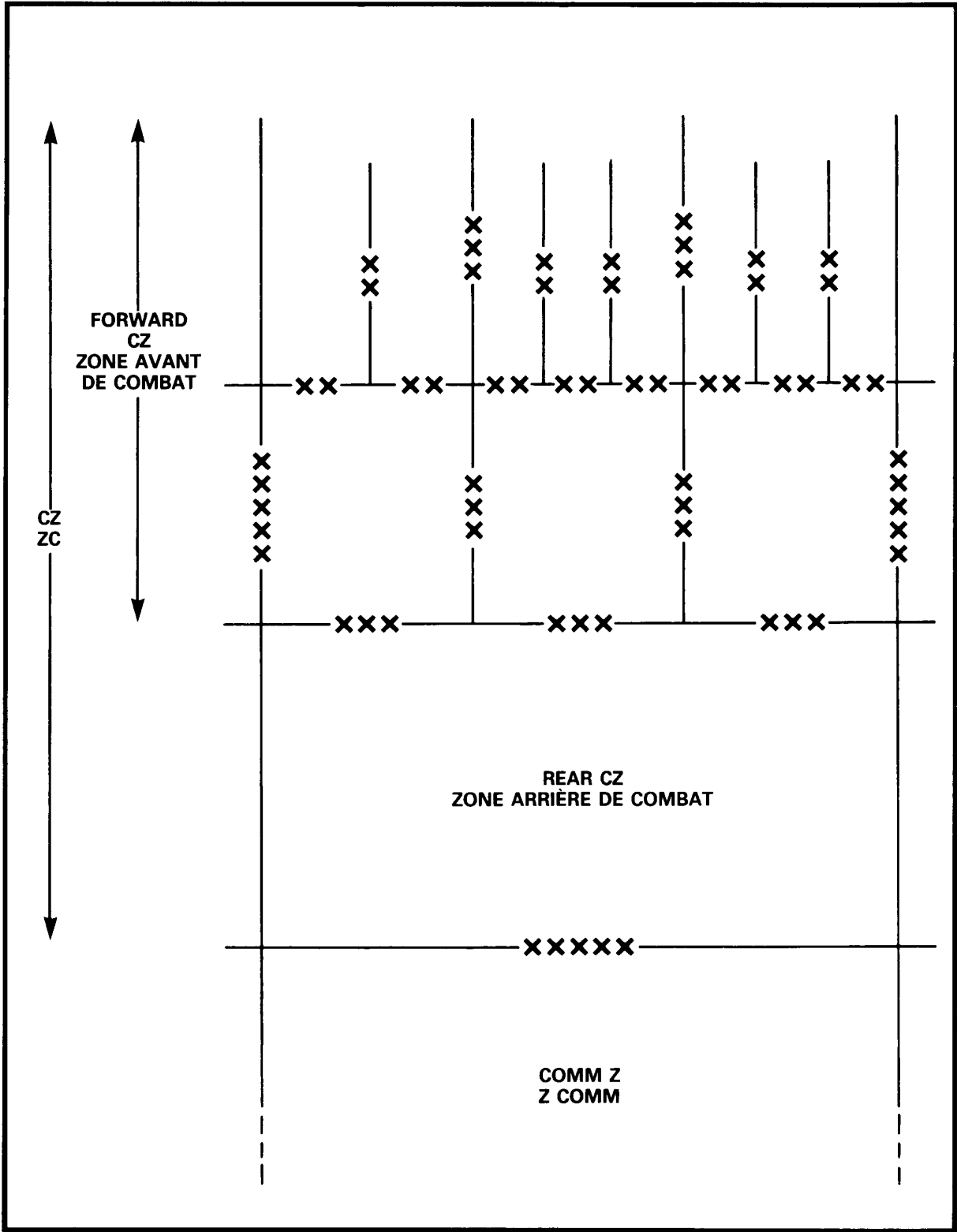


Figure 2-1 Organisation territoriale d'une zone d'opérations

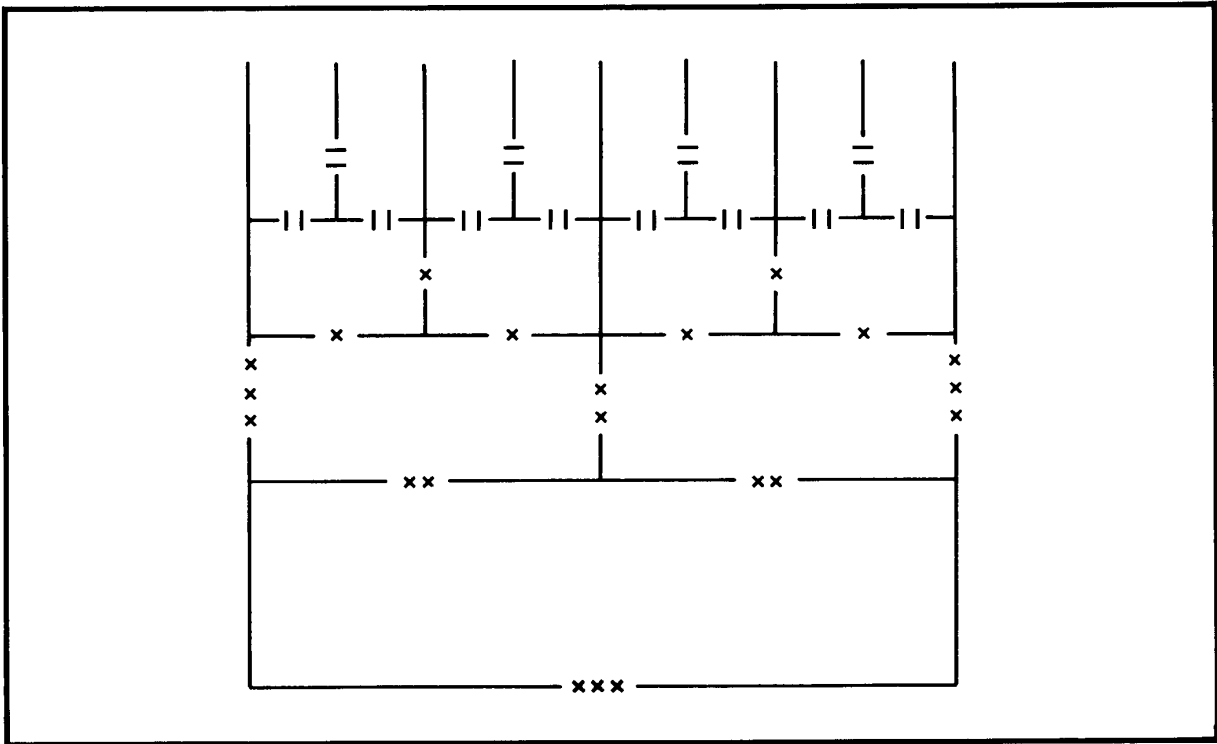


Figure 2-2 La zone du corps d'armée

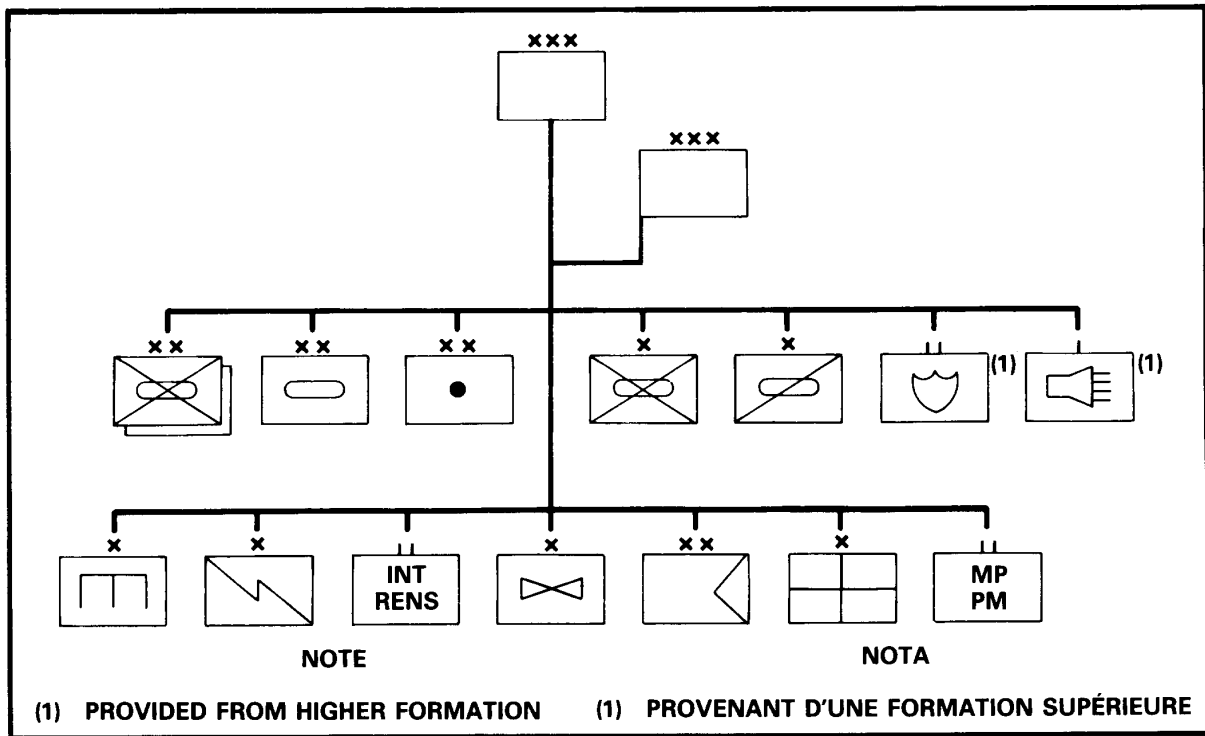


Figure 2-3 Composition type d'un corps d'armée

6. **La division.** Habituellement, une division est formée de trois brigades, et de troupes divisionnaires comprenant des formations et des unités de combat, d'appui au combat et de soutien au combat. Une division mécanisée comporte trois brigades mécanisées alors qu'une division blindée comprend deux brigades blindées et une brigade mécanisée. Les troupes divisionnaires sont formées d'unités de reconnaissance, de génie, d'artillerie, d'unités antichars, de transmissions, de renseignement, de logistique, de services sanitaires, de police militaire ainsi que d'unités d'aviation tactique détachées. Les figures 2-4 et 2-5 illustrent l'organisation des divisions mécanisées et blindées.

7. **La brigade.** La brigade est la formation de combat de premier niveau. Elle comprend un escadron de reconnaissance, un escadron de commandement et de transmissions, des régiments blindés et des bataillons d'infanterie. Une brigade mécanisée possède trois bataillons d'infanterie mécanisée et un régiment blindé, alors qu'une brigade blindée dispose de trois régiments blindés et d'un bataillon d'infanterie mécanisée. Le modèle d'organisation des brigades mécanisées et blindées est donné aux figures 2-6 et 2-7.

## **LES ORGANISMES HIÉRARCHIQUES DU GEM**

8. Il existe des pelotons, des troupes ou des sections de maintenance de premier échelon dans la plupart des unités d'un corps d'armée. Le peloton, la troupe ou la section de maintenance possède les ressources nécessaires pour assurer la maintenance de premier échelon à l'unité au combat. Et le commandant du peloton de maintenance de premier échelon d'une unité est là pour conseiller le commandant d'unité en matière technique, en cas de besoin. Le chapitre 4 traite du soutien du GEM au niveau des unités.

9. Les organismes de maintenance de deuxième échelon se retrouvent dans les formations de soutien au combat au niveau des corps d'armée et des divisions ainsi que dans les groupes-brigades indépendants. Le service du GEM est organisé comme suit :

- a. Dans chacune des divisions, il existe un groupe des services divisionnaires (GSD), composé d'un bataillon de maintenance (Bon maint) et de trois bataillons des services (Bon serv GSD); il faut compter une compagnie de maintenance (Cie maint) pour chacun des bataillons. La figure 2-8 montre l'organisation d'un groupe des services divisionnaires (GSD).
- b. Au niveau du corps d'armée, la brigade de maintenance (Bde maint) du commandement de soutien du corps d'armée (COSCA) est chargée d'assurer la maintenance de deuxième échelon aux troupes de corps qui n'ont pas de service de soutien interne de deuxième échelon.



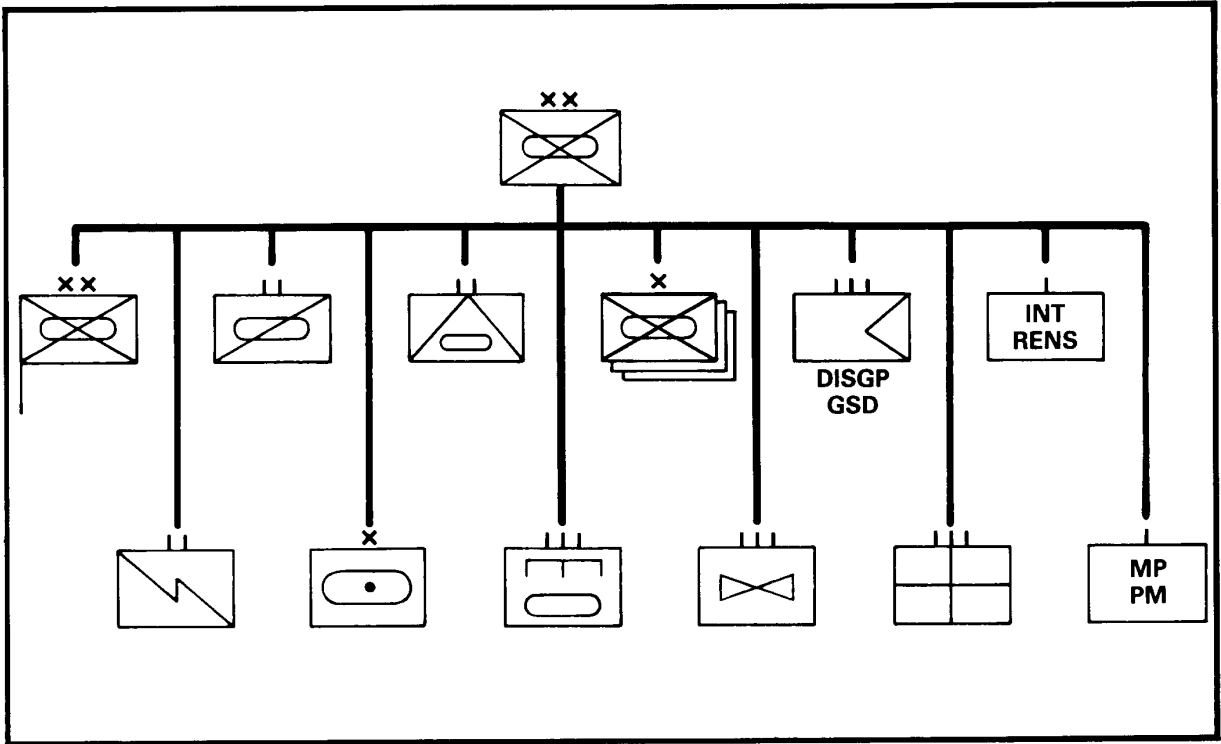


Figure 2-4 La division mécanisée

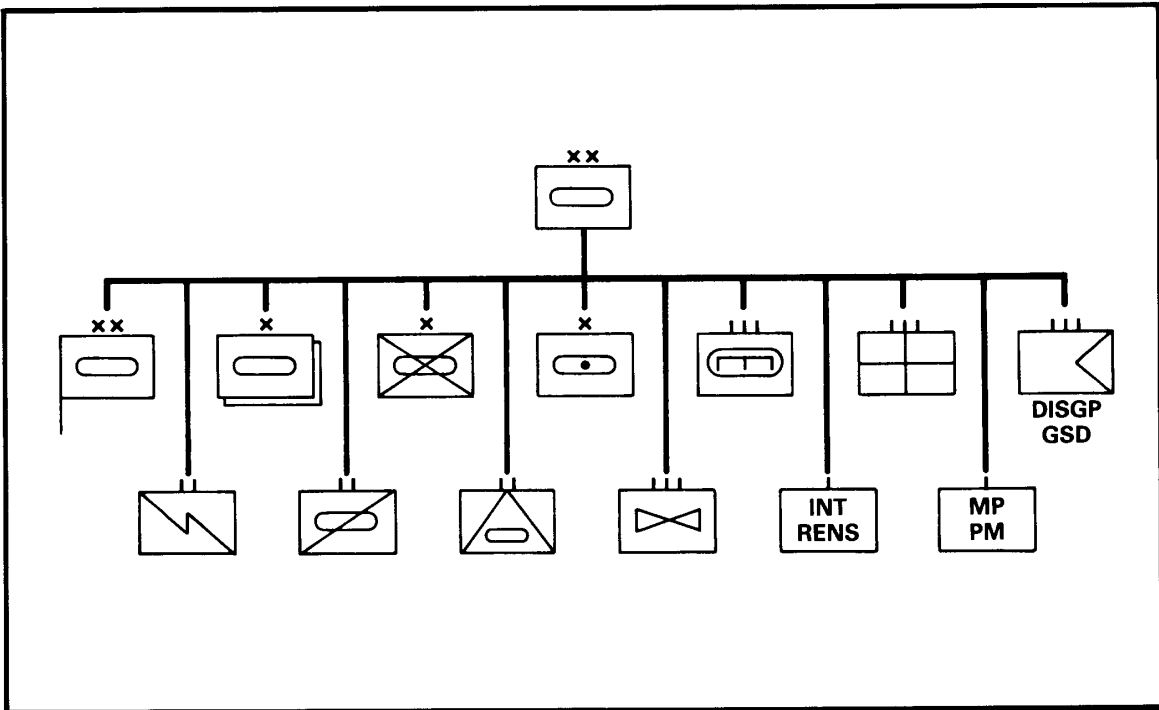


Figure 2-5 La division blindée

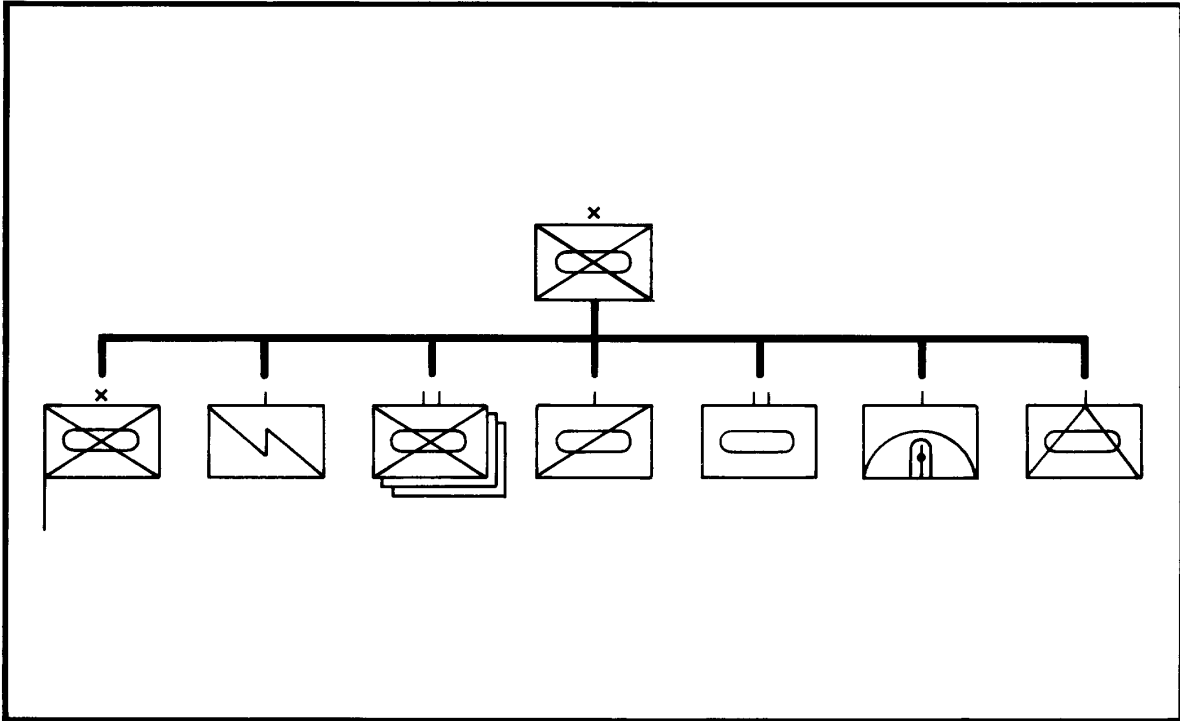


Figure 2-6 La brigade mécanisée

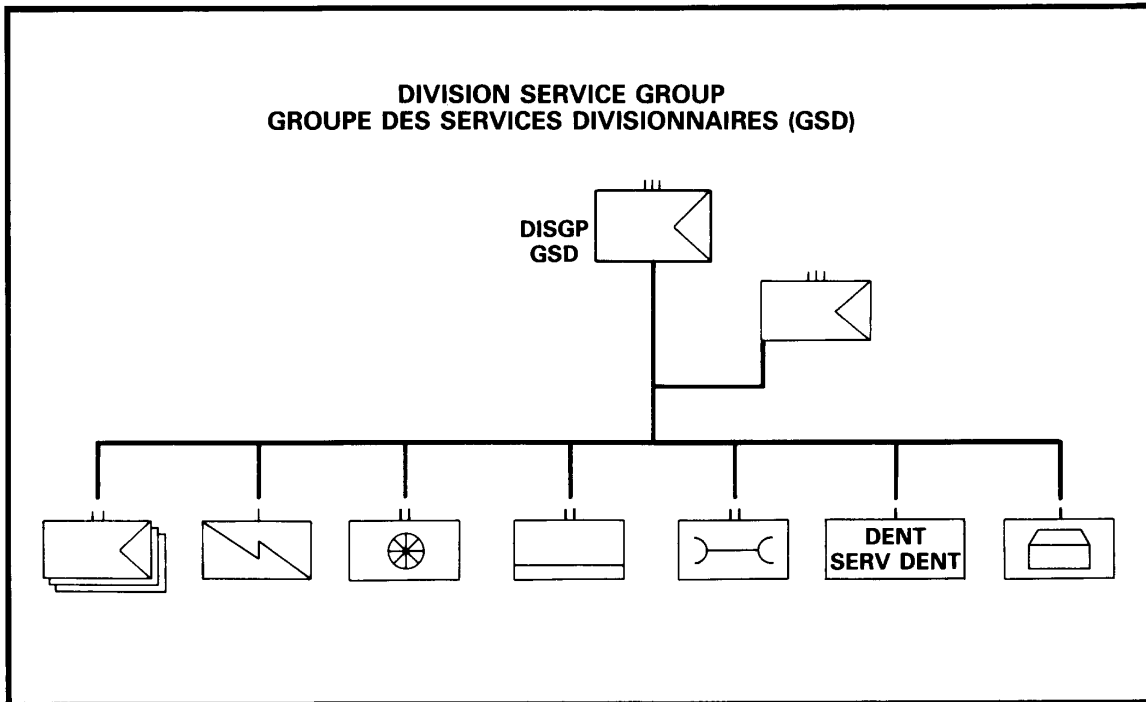


Figure 2-7 La brigade blindée

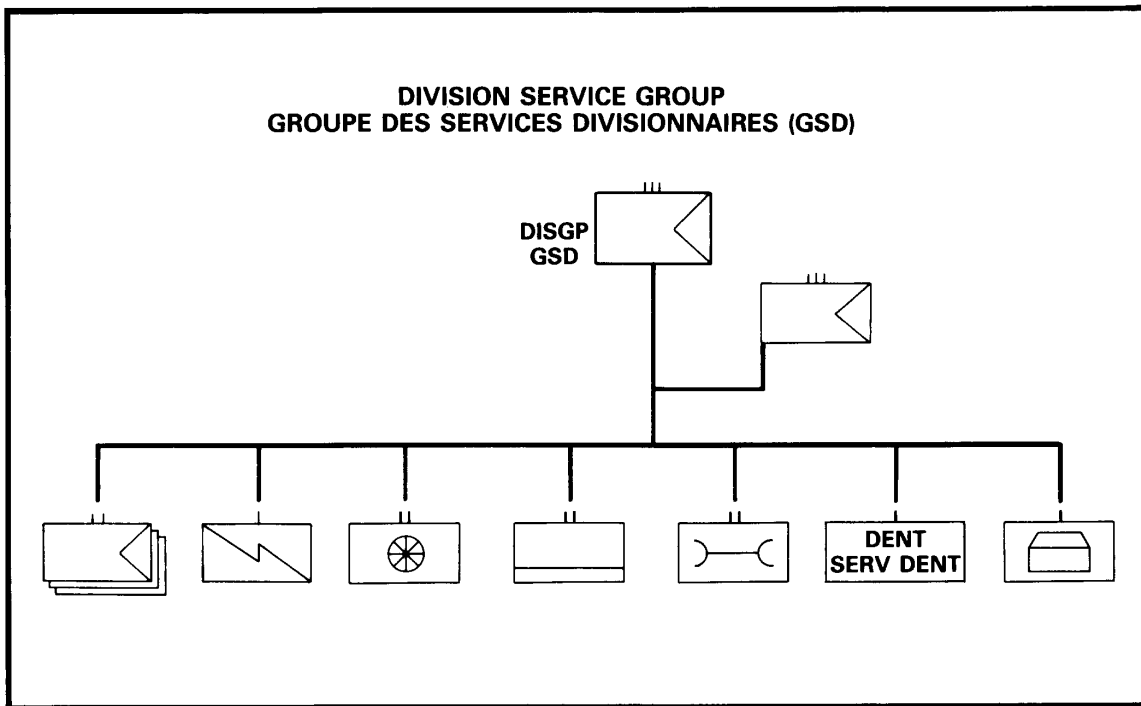


Figure 2-8 Organisation du groupe des services divisionnaires (GSD)

- c. Dans un groupe-brigade (Gp-bde) indépendant, le bataillon des services (Bon serv) comprend une compagnie de maintenance.
10. Le soutien de maintenance de deuxième échelon est traité au chapitre 5.
  11. C'est à la Bde maint du COSCA qu'il incombe de fournir, dans un corps d'armée, les services de maintenance de troisième échelon. Ces services sont expliqués au chapitre 6.
  12. Les ressources de maintenance de quatrième échelon se trouvent derrière la limite arrière du corps d'armée. Il n'en est pas question ailleurs dans le présent manuel.

## **LES ORGANISMES D'ÉTAT-MAJOR DU GEM**

13. Le commandant de brigade peut compter sur les services d'un petit état-major du Génie électrique et mécanique. L'état-major est composé d'un capitaine du Génie électrique et mécanique (Terre) (GEMT) occupant le poste de G4 Maint, et d'un certain nombre de techniciens supérieurs. Les fonctions de l'état-major du G4 Maint de brigade sont précisées au chapitre 5.
14. L'état-major de maintenance du quartier général divisionnaire est chapeauté par un major du GEMT, le G4 Maint. Les fonctions et les activités de cet état-major sont exposées au chapitre 5.
15. Le quartier général de corps est dirigé par un G4 Maint, assisté d'un personnel assez nombreux. C'est un lieutenant-colonel du GEMT qui est le G4 Maint et les fonctions de son service sont énoncées au chapitre 6.

## SECTION 2

### CONTRÔLE TECHNIQUE

#### INTRODUCTION

16. La chaîne du contrôle technique permet au personnel du Génie électrique et mécanique (Terre) (GEMT) de transmettre les directives techniques et de résoudre les problèmes techniques au nom du commandant des opérations. Elle est généralement parallèle à la chaîne de commandement.

17. La figure 2-9 présente sous forme de schéma la chaîne de contrôle technique dans un corps d'armée. Il est à noter que l'état-major de maintenance de chaque quartier général peut en référer directement aux commandants des formations et des unités de maintenance pour toutes les questions ou tous les conseils d'ordre technique.

## **SECTION 3**

### **ACTIVITÉS DU GEM**

#### **INTRODUCTION**

18. Dans cette section, on traite du mode de fonctionnement du GEM, on précise les catégories de matériel endommagé ainsi que la méthode employée pour l'envoi de l'équipement d'un organisme du GEM à un autre. Pour conclure, on définit et on explique en quoi consiste la maintenance du matériel.

#### **CLASSIFICATION DU MATÉRIEL ENDOMMAGÉ**

19. Au service du Génie électrique et mécanique, le matériel endommagé est classé selon son état de fonctionnement et les réparations qu'il nécessite :

- a. U - utilisable. Le matériel est prêt à servir;

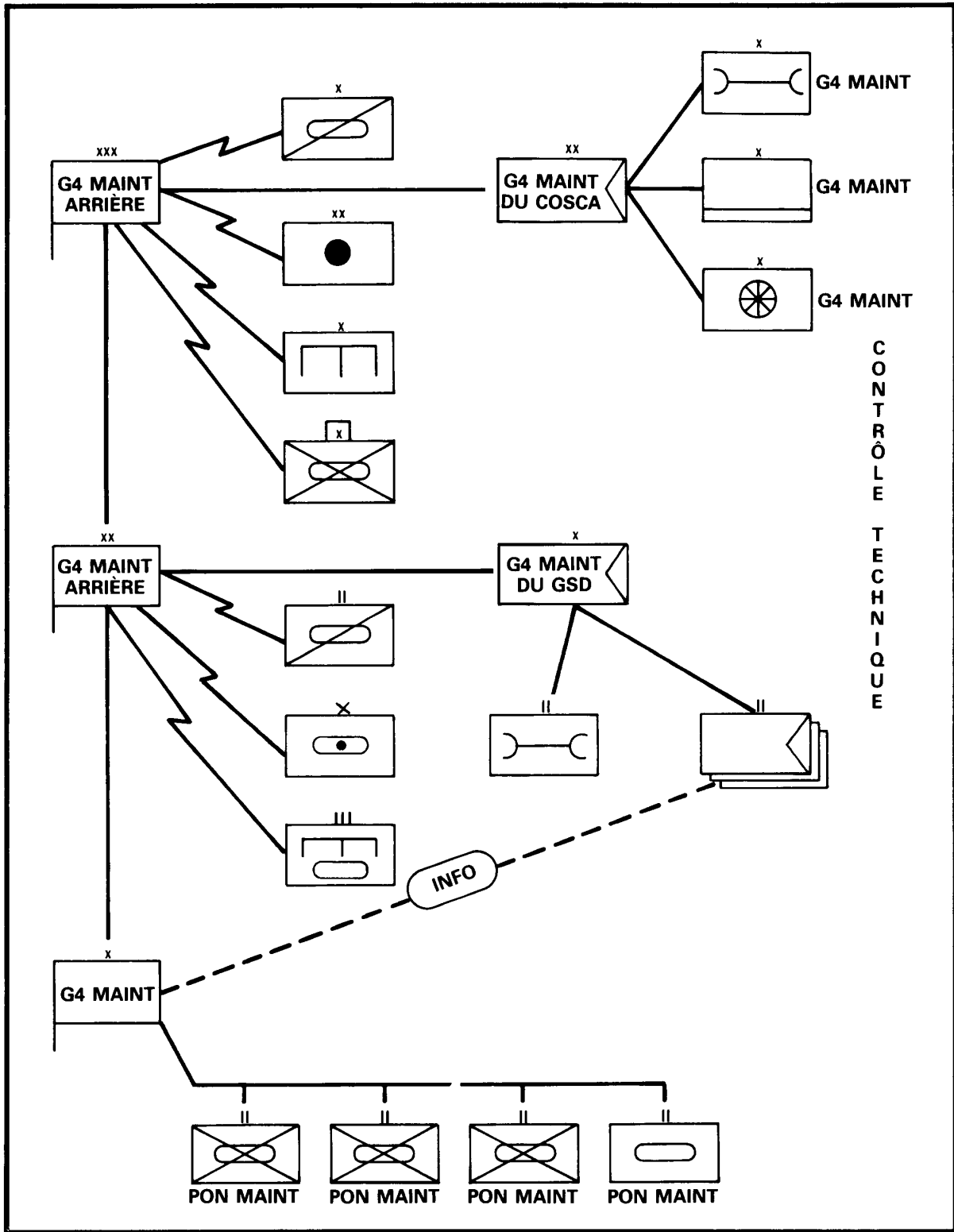


Figure 2-9 La chaîne du contrôle technique

- b. X - réparations nécessaires au premier échelon;
- c. Y1 - réparations nécessaires au deuxième échelon;
- d. Y2 - réparations nécessaires au troisième échelon;
- e. Z - réparations nécessaires au quatrième échelon;
- f. NRSP - non réparable sur place, faute de pièces de rechange, d'outils, par manque de ressources ou par manque de temps;
- g. RNR - réparation non rentable dans les conditions actuelles. Il s'agit d'articles dont le transport demanderait trop de temps et de ressources; et
- h. NR - non réparable.

20. Le classement sert à déterminer la nature des réparations à effectuer sur une pièce d'équipement au moment où l'organisme de maintenance la reçoit. Cela facilite l'acheminement de l'équipement à l'organisme le mieux en mesure de fournir les services du GEM nécessaires. Comme le matériel est envoyé directement à l'organisme de maintenance intéressé, il peut être retourné à l'utilisateur le plus tôt possible.

### **ACHEMINEMENT DU MATÉRIEL ENDOMMAGÉ**

21. Dès que l'organisme établit qu'il ne peut remettre en état la pièce d'équipement reçue, il doit l'acheminer au niveau de maintenance suivant pour faire faire les réparations exigées. Le mode d'acheminement dépend de la nature du matériel.

22. À l'aide des ressources du GEM, les véhicules et les équipements principaux sont acheminés d'un organisme du GEM à celui du niveau immédiatement supérieur. Par exemple, dès qu'un organisme de maintenance de premier échelon détermine qu'il n'est pas en mesure de réparer une pièce d'équipement, il doit l'envoyer à l'organisme de soutien assurant la maintenance de deuxième échelon. Ainsi, le processus par lequel on détermine soit de remettre la pièce d'équipement en état, soit de l'expédier à l'échelon de soutien assurant la maintenance au niveau immédiatement supérieur se poursuit jusqu'au quatrième échelon. Dès qu'un article a été renvoyé à un service de maintenance dépassant le deuxième échelon, l'unité utilisatrice peut ordonner qu'on le remplace par le biais du système d'approvisionnement. Les méthodes de contrôle de l'acheminement des véhicules et des équipements importants à réparer sont traitées au chapitre 3.

23. Les pièces de matériel accessoire et les assemblages suivent la filière d'approvisionnement normalement. Dès qu'un article, tels une arme, un poste radio ou une pièce de voiture, ne peut être réparé par le peloton ou la troupe de maintenance du premier échelon, il est remis au quartier-maître d'unité. Ce dernier envoie l'article endommagé à l'organisme de maintenance du deuxième échelon. Le processus est le même pour l'envoi de tout article à réparer d'un niveau de maintenance à l'organisation de soutien suivante.



## **CHAPITRE 3**

### **ORGANISME DU GÉNIE ÉLECTRIQUE ET MÉCANIQUE (GEM)**

#### **SECTION 1**

#### **INTRODUCTION**

#### **GÉNÉRALITÉS**

1. Le présent chapitre porte sur les organismes du Génie électrique et mécanique (GEM) de premier, de deuxième et de troisième échelons au sein du corps d'armée canadien. La section 1 traite des impératifs d'organisation qui sous-tendent l'établissement des organismes du GEM et la section 2, des ressources du GEM. La section 3 clôt le chapitre par un examen du système de dépannage sur le champ de bataille.

#### **ZONES ADMINISTRATIVES**

2. Le commandant de formation répartit ses organismes subalternes sur le terrain. En général, les armes de combat sont placées le plus en avant possible, les armes d'appui sont disséminées dans toute la zone selon les besoins alors que les organismes de soutien au combat sont les plus reculés. Les zones allouées aux organismes de soutien au combat sont appelées zones administratives.

3. Au niveau de la formation, les organismes de soutien au combat et les autres groupes administratifs se voient attribuer de larges zones. Au niveau de la brigade, la zone porte le nom de zone administrative de brigade (ZAB); au niveau de la division, de zone administrative divisionnaire (ZAD) et au niveau du corps, de zone administrative de corps (ZAC). La figure 3-1 montre l'emplacement de ces zones administratives de formation.

4. Voici en général, les organismes de maintenance qui se retrouvent dans les zones administratives :

- a. ZAB (Zone administrative de brigade) - la compagnie de maintenance du bataillon des services du groupe des services divisionnaires (la Cie Maint Bon Serv GSD) ou, dans un groupe-brigade indépendant, la compagnie de maintenance du bataillon des services du groupe-brigade (la Cie Maint Bon Serv Gpbde);
- b. ZAAv (Zone administrative avancée) - le groupe logistique avancé (GLA);
- c. ZAD (Zone administrative divisionnaire) - le bataillon de maintenance du groupe des services divisionnaires (le Bon maint GSD); et

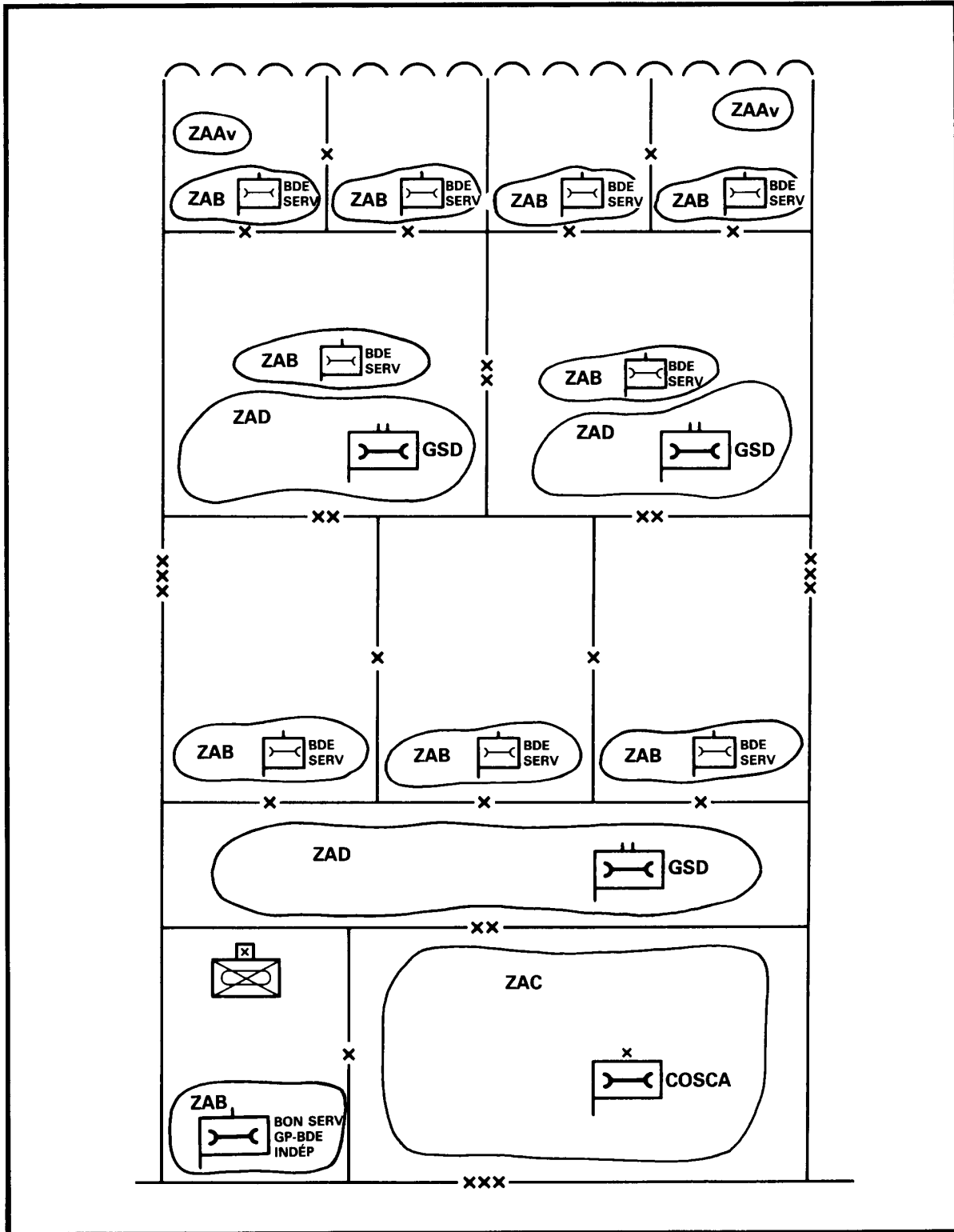


Figure 3-1 Zones administratives de formation montrant les organismes du GEM

- d. ZAC (Zone administrative de corps) - la brigade de maintenance du commandement des services du corps d'armée (la Bde maint COSCA).

## SECTION 2

### ORGANISATION DES UNITÉS DU GEM

#### INTRODUCTION

5. Les organismes du GEM sont organisés de manière à fournir le niveau de maintenance approprié aux unités et formations soutenues. Il revient au personnel qualifié du service du GEM de maintenir en bon état de fonctionnement les systèmes d'armes modernes munis de systèmes de conduite de tir complexes, ainsi que tous les accessoires que possède l'armée de terre. C'est grâce également à la souplesse d'adaptation du service que ce défi peut être relevé.

#### ORGANISATION

6. Un organisme du GEM doit être en mesure d'exécuter les fonctions suivantes :
- a. **Le commandement.** Commander exige entre autres fonctions, de savoir diriger une unité ou une formation pour qu'elle puisse exécuter sa mission. Cela comprend la discipline, le maintien du moral, etc.
  - b. **La planification et le contrôle.** Planifier c'est l'art de prévoir le déroulement des activités et d'en changer le cours pour réaliser sa mission. Contrôler, c'est examiner une situation par rapport à un plan établi, puis de changer l'un ou l'autre selon les besoins. La planification et le contrôle sont étroitement liés et sont considérés comme une fonction conjointe. Le contrôle comprend l'inspection À L'ARRIVÉE et À LA SORTIE du matériel.
  - c. **L'administration technique.** Il s'agit de regrouper tous les renseignements et toutes les données techniques et de remettre les comptes rendus nécessaires.
  - d. **L'établissement des barèmes de dotation en pièces de rechange.** Cette fonction porte sur les barèmes de dotation en pièces de rechange nécessaires pour que les réparations se fassent.
  - e. **La production.** Il s'agit de fournir les services du GEM pour l'entretien de l'équipement que possède l'unité ou la formation soutenue. C'est cette fonction qui justifie la présence des ressources du GEM.
  - f. **L'administration de l'unité.** Cette fonction porte sur toutes les questions administratives de nature non technique et liées aux activités des unités du GEM.
7. Le Génie électrique et mécanique est normalement organisé de manière à pouvoir remplir les six fonctions précitées. La figure 3-2 montre l'organisation habituelle du GEM.

8. Les éléments qui suivent influent sur le modèle d'organisation normale du GEM :
  - a. les services administratifs d'unité sont fournis à tous les membres de l'unité, et il est préférable que le quartier général d'unité en contrôle directement la prestation;
  - b. la planification et le contrôle, l'administration technique et l'approvisionnement en pièces de rechange sont toutes des fonctions interdépendantes qu'il convient de grouper; et

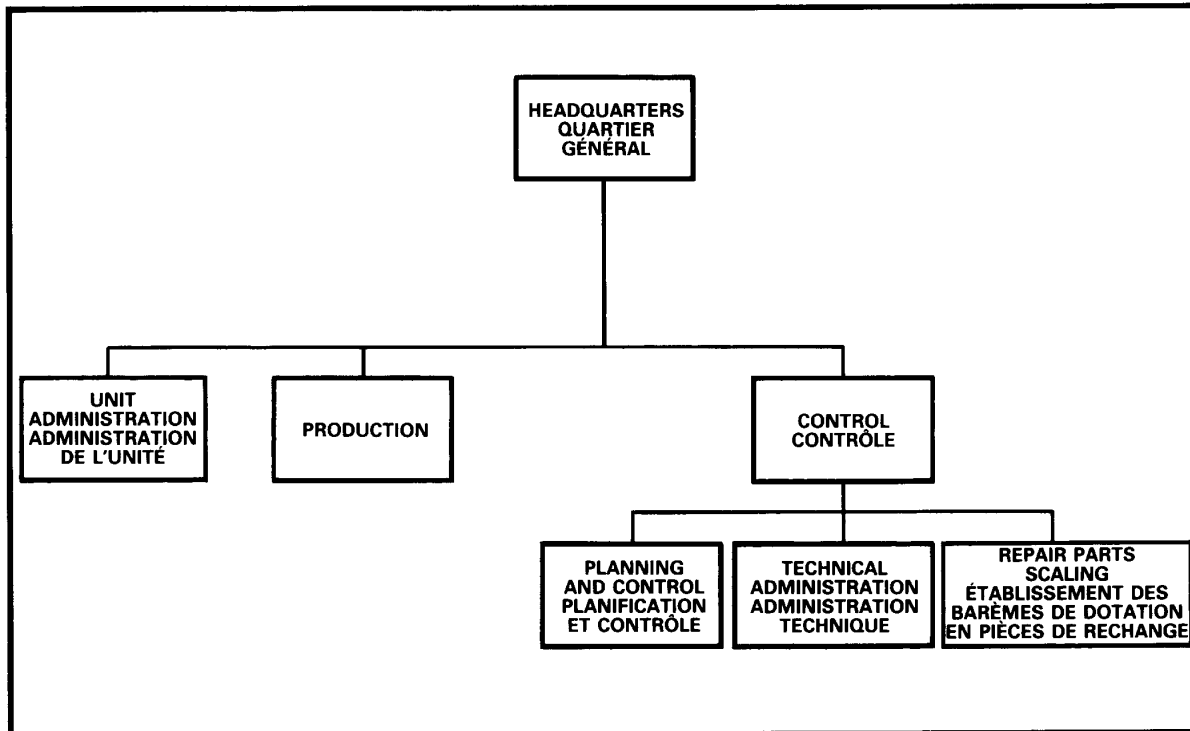


Figure 3-2 Modèle fonctionnel du GEM

- c. c'est au niveau de la production qu'on trouve la majorité des ressources en main-d'oeuvre et en équipement, lesquelles sont en général groupées par type d'équipement à maintenir.
9. Le fait de regrouper les ressources de production permet normalement de mettre sur pied les éléments de maintenance aux responsabilités suivantes :
  - a. **La maintenance des véhicules.** Le grand nombre de véhicules de tous genres que possèdent les unités et les formations augmente d'autant les besoins en maintenance. Généralement, 50 pour cent de la main-d'oeuvre du GEM est affecté au maintien des véhicules. Les sous-unités de maintenance des véhicules sont habituellement subdivisées en sous-groupes selon qu'il s'agisse de véhicules (véh) à roues ou de chenillés (chen). De plus, il faut parfois établir des centres de travail spécialisés dans la réparation de certains véhicules.

- b. **Le dépannage.** Les organismes de maintenance du GEM disposent de ressources limitées pour s'occuper du dépannage et de la récupération (réc).
- c. **Maintenance des accessoires.** Cet organisme est chargé d'assurer la maintenance de toutes les autres catégories d'équipement. Les ressources, au nombre de six (systèmes d'armes, équipements optiques, équipements électroniques, équipements de communications, radars et matériel divers), sont limitées par rapport à celles des sous-unités de maintenance des véhicules. L'organisme est subdivisé en centres de travail spécialisés dans les systèmes de conduite de tir (sct) (y compris les systèmes optiques, électroniques et radars), l'armement (armt), l'équipement de communications et les travaux liés aux matériaux (mat), à savoir la soudure, l'usinage des pièces et les autres services de soutien nécessaires pour répondre aux besoins de l'organisme soutenu.

10. La taille relative de chacun des éléments illustrés à la figure 3-4 dépend de la quantité et du type d'équipements que possède l'unité ou la formation soutenue. À titre d'exemple, les figures 3-3 à 3-6 présentent des modèles d'organisation type : le peloton de maintenance d'unité d'un bataillon d'infanterie, la compagnie de maintenance d'un bataillon des services du groupe des services divisionnaires (GSD), le bataillon de maintenance du GSD et la brigade de maintenance du commandement de soutien du corps d'armée (COSCA). Ces organismes seront examinés en détail aux chapitres 4, 5 et 6.

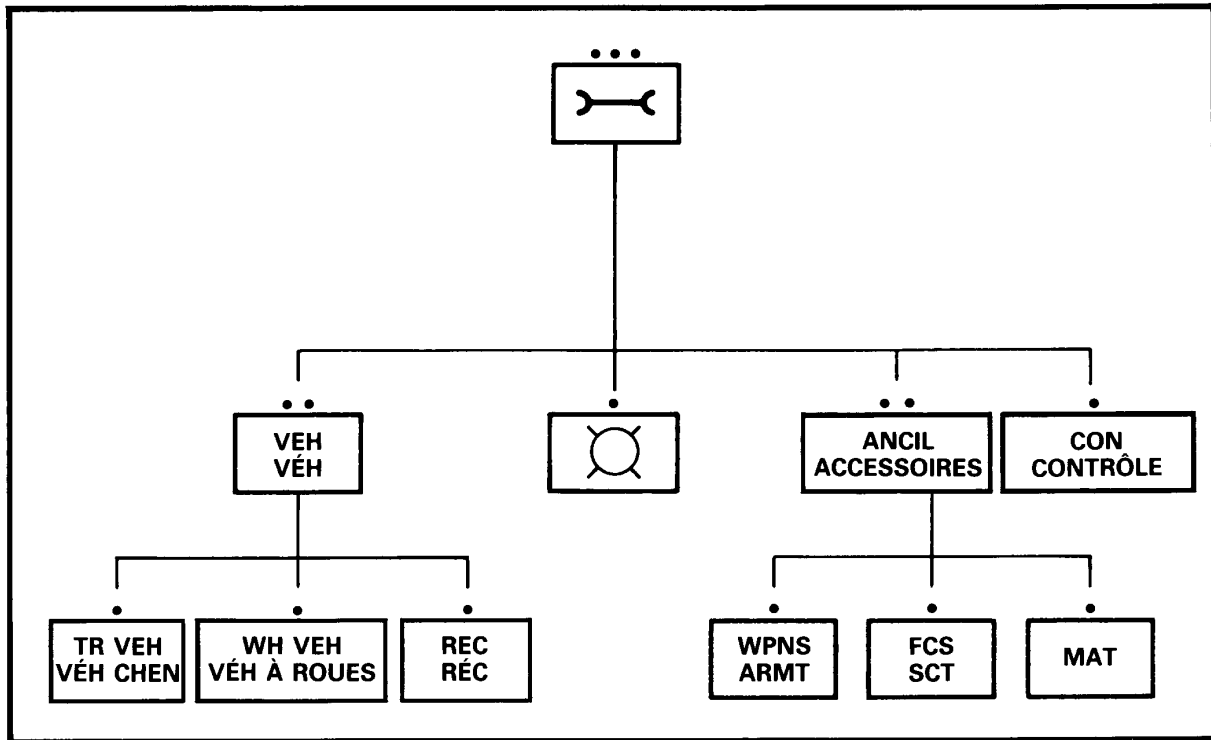


Figure 3-3 Le peloton de maintenance d'un bataillon d'infanterie

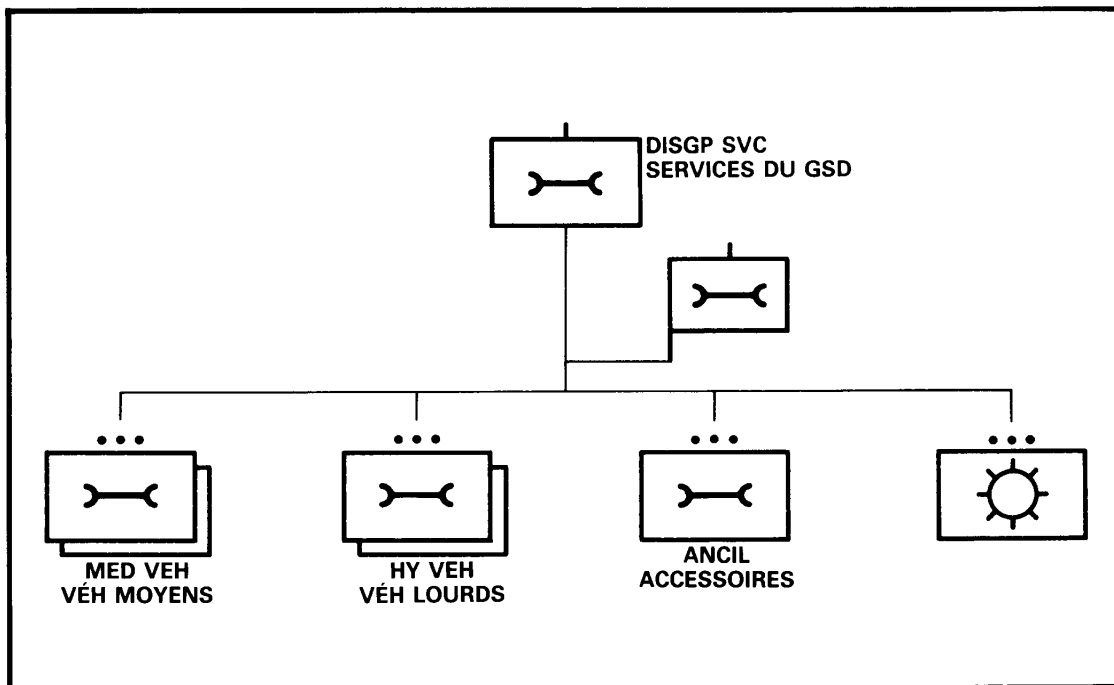


Figure 3-4 La compagnie de maintenance d'un bataillon des services du groupe des services divisionnaires (GSD)

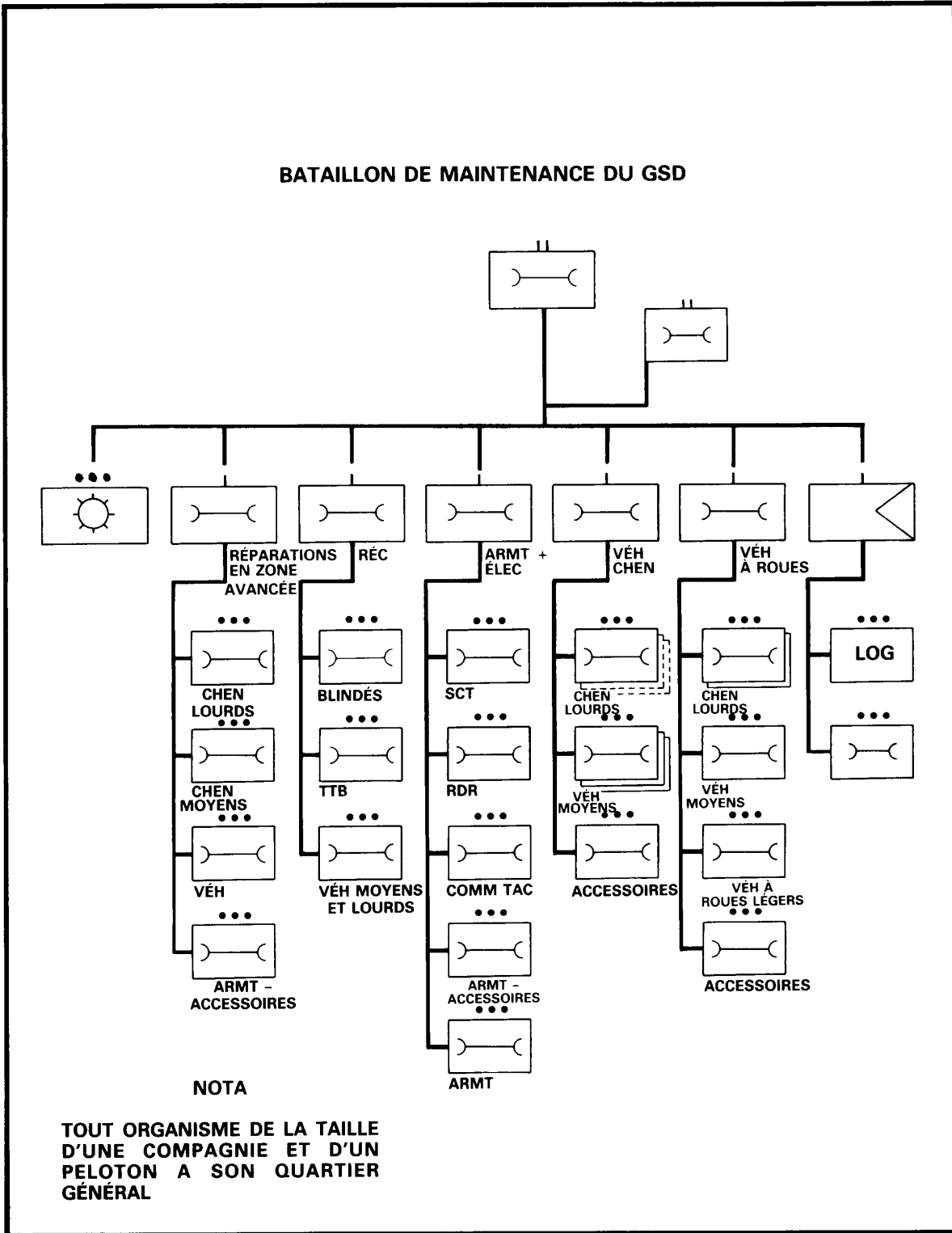


Figure 3-5 Le bataillon de maintenance du GSD



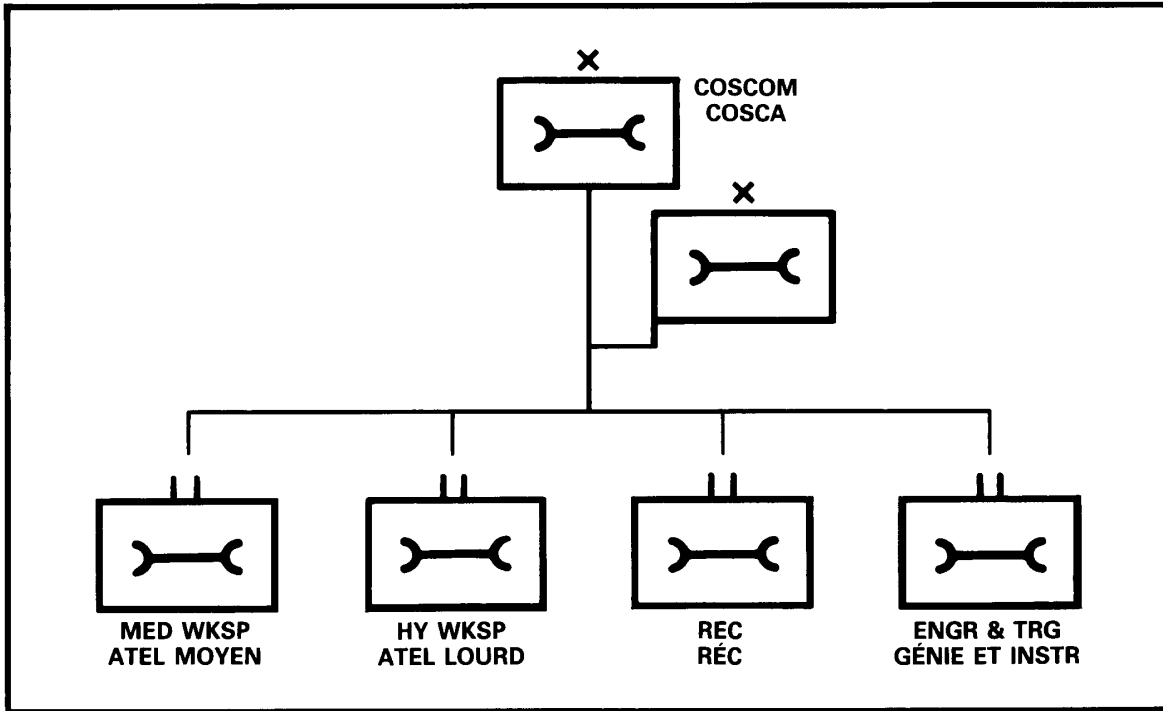


Figure 3-6 La brigade de maintenance du Commandement de soutien du corps d'armée (COSCA)

## **SECTION 3**

### **RESSOURCES DU GEM**

#### **INTRODUCTION**

11. Pour jouer son rôle, chaque organisme de maintenance possède les ressources suivantes :
  - a. la main-d'oeuvre;
  - b. les véhicules;
  - c. l'équipement technique;
  - d. les pièces de rechange; et
  - e. les fournitures et l'équipement d'unité.

#### **MAIN-D'OEUVRE**

12. La taille des organismes du GEM varie énormément. En effet, l'effectif d'un peloton ou d'une troupe de maintenance d'unité peut représenter de 30 à 100 personnes alors qu'il peut s'élever à des milliers dans une brigade de maintenance du COSCA. Tous les organismes du GEM doivent posséder grosso modo les mêmes compétences techniques, même si le nombre de personnes dans chacun peut varier en fonction du rôle de l'unité ou de la formation soutenue. Pour chaque type de technicien, le nombre dépend de la quantité et de la diversité de l'équipement que possède l'unité ou la formation.

13. Les organismes du GEM font appel normalement à des techniciens de véhicules, des techniciens d'armement (Terre), des techniciens de système de conduite de tir, des techniciens des matériaux, des commis à l'administration, des techniciens en approvisionnement, des radaristes, des techniciens en communication et des radiotechniciens.

14. Sont représentés dans les organismes du GEM d'unité et de formation un certain nombre d'autres métiers : cuisiniers, adjoints médicaux, commis comptables, conducteurs de matériel mobile de soutien, etc. Ces hommes de métier permettent à l'unité ou à la formation du GEM d'être autonomes. Leurs fonctions sont décrites en détail dans la publication B-GL-304-002/FP-001, intitulée Unit Administration.

#### **VÉHICULES**

15. Les barèmes de dotation en véhicules d'un organisme du GEM répondent aux besoins suivants :
  - a. prestation des services de dépannage;

- b. transport de l'outillage et de l'équipement de l'organisme; et
- c. transport du personnel, de l'équipement et des fournitures.

16. Comme le nombre et les types de véhicules varient selon le rôle de l'unité, cette dernière peut posséder tous les types de véhicules énumérés ci-après ou seulement certains d'entre eux :

- a. véhicules blindés de dépannage (VBD) pour la réparation et la récupération de chars, de transports de troupes blindés (TTB) et de canons automoteurs;
- b. véhicules de modèle militaire normalisé (MMN) pour le transport du personnel et de l'équipement; et
- c. véhicules spécialement équipés (VSE).

17. Les services de dépannage et de récupération sont normalement assurés à l'aide de deux types de véhicules :

- a. **Véhicules de dépannage à roues, poids moyens et lourds.** Équipés d'un treuil et d'une grue hydraulique, ces véhicules peuvent également transporter un poste de soudure au chalumeau oxyacétylénique ainsi que tout l'éventail d'outils et de matériel de dépannage.
- b. **Véhicules blindés de dépannage (VBD).** Ces véhicules, dont le châssis est similaire à celui du type d'équipement qu'ils ont à récupérer, transportent un poste de soudure et des outils de coupage, des munitions ainsi qu'un éventail approprié d'outils et de pièces de rechange, sans oublier l'équipement de dépannage.

18. Les véhicules spécialement équipés (VSE) sont des véhicules-ateliers spécialement conçus et équipés pour servir de centres de travail standard aux techniciens. Dans la plupart des cas, les VSE sont munis d'un châssis de MMN sur lequel est installé un abri spécial. Grâce à cette particularité, on peut déplacer les modules d'équipement d'un véhicule à l'autre, au besoin. Voici les VSE les plus courants :

- a. **VSE de maintenance des systèmes de conduite de tir (SCT).** Les VSE SCT sont conçus pour abriter les divers appareils d'essai optiques, électroniques et au laser. Ils transportent également les pièces de rechange et les manuels nécessaires à la maintenance de premier échelon des systèmes de conduite de tir de l'unité.
- b. **VSE de maintenance de l'armement.** Ces VSE Armt transportent l'équipement nécessaire à la réparation des armes, ce qui comprend les étaux, les pièces de rechange, les manuels ainsi que les graisses et les huiles nécessaires à la maintenance de premier échelon des armes d'une unité.

- c. **VSE de maintenance liée aux matériaux (Mat).** Les techniciens des matériaux ont à leur disposition des VSE transportant un poste de soudure au chalumeau oxyacétylénique et de l'outillage de machiniste. Ces VSE Mat tirent une remorque ayant à son bord un poste de soudage à l'arc sous atmosphère inerte avec électrode fusible, des articles de soudage et un stock de métal. Pour ce qui est de la maintenance au niveau d'une compagnie ou à un niveau supérieur, le parc des VSE Mat comprend des véhicules adaptés à un type de réparation, pour les travaux d'usinage, de soudage et de réparation des textiles.
- d. **VSE d'inspection et de réparation.** Pour que l'inspection des véhicules à roues et chenillés soit efficace, ces véhicules spécialement équipés tirent une génératrice et transportent des outils électriques, un poste de chargement des batteries et des appareils d'essai fonctionnant à l'électricité.
- e. **VSE de maintenance de l'équipement de télécommunications.** Les techniciens en communications et les radiotechniciens ont à leur disposition des VSE Télécomm comprenant les appareils d'essai ainsi que les pièces de rechange et les outils nécessaires à la maintenance de l'équipement de communications non protégées.
- f. **Unités de lubrification et d'entretien courant.** Ces postes, installés sur des remorques, comprennent des appareils de lubrification et de gonflage des pneus, à air comprimé.

## ÉQUIPEMENT TECHNIQUE

19. Les organismes du GEM disposent, en grand nombre, de tout l'équipement technique dont ils ont besoin pour exécuter leurs travaux de maintenance, notamment des outils mécaniques, des outils manuels, des appareils d'essai et d'optique électronique ainsi que des articles techniques consommables.

20. **Outils d'atelier.** Il s'agit d'étaux, de bâtis portatifs, d'enclumes, de tours, d'affûteuses, de lampes, de perceuses, d'appareils de mesure et d'essai ainsi que d'ensembles de vérification de l'allumage. Certains organismes peuvent être équipés d'abris de maintenance portatifs à installer au-dessus de l'équipement principal pour faciliter le travail de nuit ou par mauvais temps. Un certain nombre d'outils et d'appareillages servent quant à eux au dépannage ou à la réparation d'équipements particuliers.

21. **Outils manuels.** Les outils manuels se divisent en deux catégories : les outils d'usage personnel et ceux d'usage général. Chaque technicien reçoit un ensemble d'outils personnels. De plus, chaque organisme du GEM tient un centre d'outils où se trouvent les outils d'usage général comme les outils à fileter, les alésoirs, etc.

22. **Équipement d'essai optronique et électronique.** Les techniciens doivent se servir de nombreux types d'appareils d'essai optroniques et électroniques pour déceler les défauts et réparer l'équipement hautement perfectionné en usage sur le champ de bataille. Ces appareils d'essai sont installés sur les VSE dotés de modules d'équipement spécialement conçus, avec supports appropriés, et offrant une protection suffisante contre les dommages.

23. **Articles techniques consommables.** Les organismes du GEM disposent d'une réserve suffisante d'écrous, de boulons, d'électrodes à soudage, de peinture, de fils, de câbles, de produits pour joints et de métal pour mener à bien leurs tâches.

## **PIÈCES DE RECHANGE**

24. Les pièces de rechange sont des articles de nature technique qui en raison de leur caractère essentiel sont considérés à part. Les niveaux de stock sont établis d'après des barèmes prédéterminés et des taux d'utilisation. À l'usage, les barèmes autorisés peuvent se révéler inadéquats des modificatifs sont alors émis.

25. Les stocks de pièces de rechange sont normalement détenus comme suit :

- a. **Au premier échelon.** Les unités de premier échelon possèdent une réserve de pièces suffisante pour assurer 15 jours de fonctionnement.
- b. **Au deuxième échelon.** Les bataillons des services du groupe-brigade possèdent une réserve de pièces suffisante pour tenir 15 jours au premier échelon et 30 jours au deuxième échelon. Au niveau de la division, les bataillons des services du GSD possèdent un éventail limité de pièces ne leur permettant de répondre qu'aux demandes urgentes. La majorité des pièces de rechange de la division sont aux mains des bataillons d'approvisionnement du GSD. Les troupes du corps d'armée possèdent une réserve de pièces de rechange suffisante pour assurer 30 jours de maintenance aux premier et deuxième échelons. Ces stocks sont gardés par le bataillon des approvisionnements généraux du COSCA.
- c. **Au troisième échelon.** Le bataillon des approvisionnements généraux du COSCA possède suffisamment de réserves additionnelles de pièces de rechange pour permettre 30 jours de fonctionnement au troisième échelon, ce qui lui permet de répondre aux besoins de maintenance de premier, de deuxième et de troisième niveau. Les niveaux de stocks sont établis par les quartiers généraux du corps d'armée et du commandement national.
- d. **Au quatrième échelon.** Les groupes de soutien canadiens (GSC) et les groupes de soutien de zone (GSZ) dans la Z COMM possèdent le reste des réserves de pièces de rechange dans la zone des opérations. Ce sont les quartiers généraux du théâtre des opérations et du commandement national qui établissent les niveaux de stock. Les GSC et GSZ peuvent avoir en leur possession des stocks leur conférant jusqu'à 180 jours d'autonomie.

26. À chaque niveau du service du GEM, il existe un organisme chargé de répondre à l'organisme de maintenance qui a instamment besoin de pièces de rechange. Le réapprovisionnement en pièces de rechange se fait par l'entremise du réseau d'approvisionnement. La filière d'approvisionnement en pièces de rechange comprend les pelotons ou les sections de pièces de rechange des organismes de maintenance (les utilisateurs), le peloton de pièces de rechange d'une compagnie d'approvisionnement et de transport d'un bataillon des services du GSD, une compagnie de pièces de rechange du bataillon d'approvisionnement du GSD et une compagnie de pièces de rechange du bataillon des approvisionnements généraux du COSCA.

27. Le personnel hiérarchique et fonctionnel du GEM est chargé de faire connaître aux organismes de pièces de rechange les taux d'utilisation prévue pour les opérations à venir. Les organismes du GEM de deuxième, troisième et quatrième échelons affectent du personnel à cette tâche, c'est-à-dire à l'établissement des barèmes de pièces de rechange. Ce personnel et les organismes de pièces de rechange travaillent non loin les uns des autres afin de s'assurer qu'à chaque niveau, on possède les quantités appropriées de pièces de rechange.

## **FOURNITURES ET ÉQUIPEMENTS D'UNITÉ**

28. **Armes et munitions.** Chaque personne reçoit l'arme personnelle correspondant à son rôle. De plus, les organismes de maintenance possèdent un certain nombre d'armes collectives, y compris des mitrailleuses légères, des mitrailleuses Chain Gun et des armes antichars.

29. **Radios.** Le nombre de postes radios que possède un organisme de maintenance est fonction du rôle de ce dernier. Comme les gros organismes du GEM, la brigade de maintenance du COSCA par exemple, sont peu mobiles, ils comptent moins de sous-unités ayant besoin de véhicules équipés de postes radios. Les organismes plus petits, comme une compagnie de maintenance de brigade ou de groupe-brigade et un peloton de maintenance d'unité, auront plus de véhicules équipés de postes radios en raison de la mobilité qu'exigent les services de soutien qu'ils offrent. Généralement, tous les véhicules de dépannage et toutes les équipes mobiles de réparation (EMR) sont munis de postes radios.

30. La composante administration de l'unité est chargée de contrôler l'ensemble des fournitures et de l'équipement des unités (Tableau de dotation en matériel des Forces canadiennes en campagne, ou TDMFCC).

## **SECTION 4**

### **DÉPANNAGE SUR LE CHAMP DE BATAILLE**

#### **INTRODUCTION**

31. Très peu d'hommes de métier du service du Génie électrique et mécanique ont eu à réparer du matériel endommagé au combat, et les manuels techniques actuels ne traitent pas de la question. En effet, il y a très peu de Canadiens qui sont en mesure de prédire le genre de dégâts que les armes modernes vont faire subir à l'équipement technique complexe de notre arsenal.

32. En temps de guerre, la réparation du matériel endommagé au combat devra être intégrée à l'instruction technique au fur et à mesure que l'on acquerra une expérience réelle au cours des opérations. À la lumière de cette expérience, il pourra même s'avérer nécessaire de modifier les barèmes de pièces de rechange et les listes de réparations permises.

33. Le système de dépannage sur le champ de bataille est conçu pour transporter les principaux équipements endommagés de l'endroit où ils se trouvent à l'unité du GEM de soutien et pour véhiculer l'équipement inutilisable d'une unité du GEM à l'autre. Les pannes d'équipement et les dommages subis au combat causent un grand nombre de pertes en matériels. Le fait que le service du GEM puisse retourner l'équipement réparé à l'utilisateur le plus rapidement possible influe directement sur l'issue de l'opération en cours. Le système de dépannage sur le champ de bataille est le principal moyen par lequel l'équipement à réparer parvient à l'organisme du GEM intéressé.

34. Le système de dépannage sur le champ de bataille sert au déplacement des véhicules et des principaux équipements. On peut obtenir de plus amples renseignements à ce sujet dans la B-GL-314-005/FP-001. Le déplacement des principaux équipements et ensembles suit la filière du réseau d'approvisionnement, comme il est expliqué aux paragraphes 21, 22 et 23 de la section 2 du chapitre 2.

#### **LE SYSTÈME DE DÉPANNAGE SUR LE CHAMP DE BATAILLE**

35. Quand le moment est venu d'assurer le service du GEM, voici la première chose à faire : il s'agit soit de transporter les techniciens là où se trouve l'équipement endommagé - c'est ce qui s'appelle la réparation à l'avant -, soit de transporter l'équipement à l'endroit où se trouve l'unité du GEM. Le matériel essentiel - les chars, les pièces d'artillerie, les véhicules antichars, l'équipement du génie, les postes de commandement... - qui a besoin de maintenance au premier ou au deuxième échelon est habituellement réparé à l'avant. Par contre, les véhicules et l'équipement moins essentiels qui doivent être réparés au troisième ou au quatrième échelon sont récupérés dès que possible et acheminés à l'organisme du GEM concerné.

36. Les ressources de dépannage étant limitées, il arrive souvent que les unités et formations accumulent l'équipement à récupérer. Cette accumulation de l'équipement aux services du GEM est non souhaitable en raison des problèmes de congestion et de sécurité qu'elle pose. Par conséquent, les véhicules et l'équipement à dépanner doivent être acheminés à un autre

emplacement entre-temps. Au niveau de l'unité, cet emplacement s'appelle le point de rassemblement de l'équipement (PRIE) et, au niveau de la formation, le point de rassemblement du matériel envoyé à l'arrière (PEVAR).

37. Les PRE et les PEVAR sont habituellement situés à l'arrière de l'unité et des zones administratives de formation, souvent près de la limite arrière de l'unité ou de la formation. Les organismes du GEM soutenus (aux premiers échelons) doivent transporter l'équipement jusqu'aux PRE. Pour leur part, les organismes du GEM de soutien sont chargés de contrôler l'équipement au PRE ou au PEVAR et de l'acheminer à l'arrière jusqu'à l'organisme du GEM suivant. La figure 3-7 montre le déplacement de l'équipement par le biais du système de dépannage et de récupération sur le champ de bataille.

38. Il est important de noter que l'équipement est transporté par l'itinéraire le plus court jusqu'à l'organisme du GEM intéressé. Par exemple, si un peloton ou une troupe de maintenance de premier échelon détermine qu'une pièce d'équipement endommagée doit être réparée au troisième échelon, l'article en question est d'abord acheminé au PRE de l'unité, ensuite au PEVAR de division et finalement à la bde maint COSCA. On contourne ainsi la cie maint bon serv GSD et le bon maint GSD, et de ce fait, on gagne du temps au moment de transporter la pièce d'équipement.



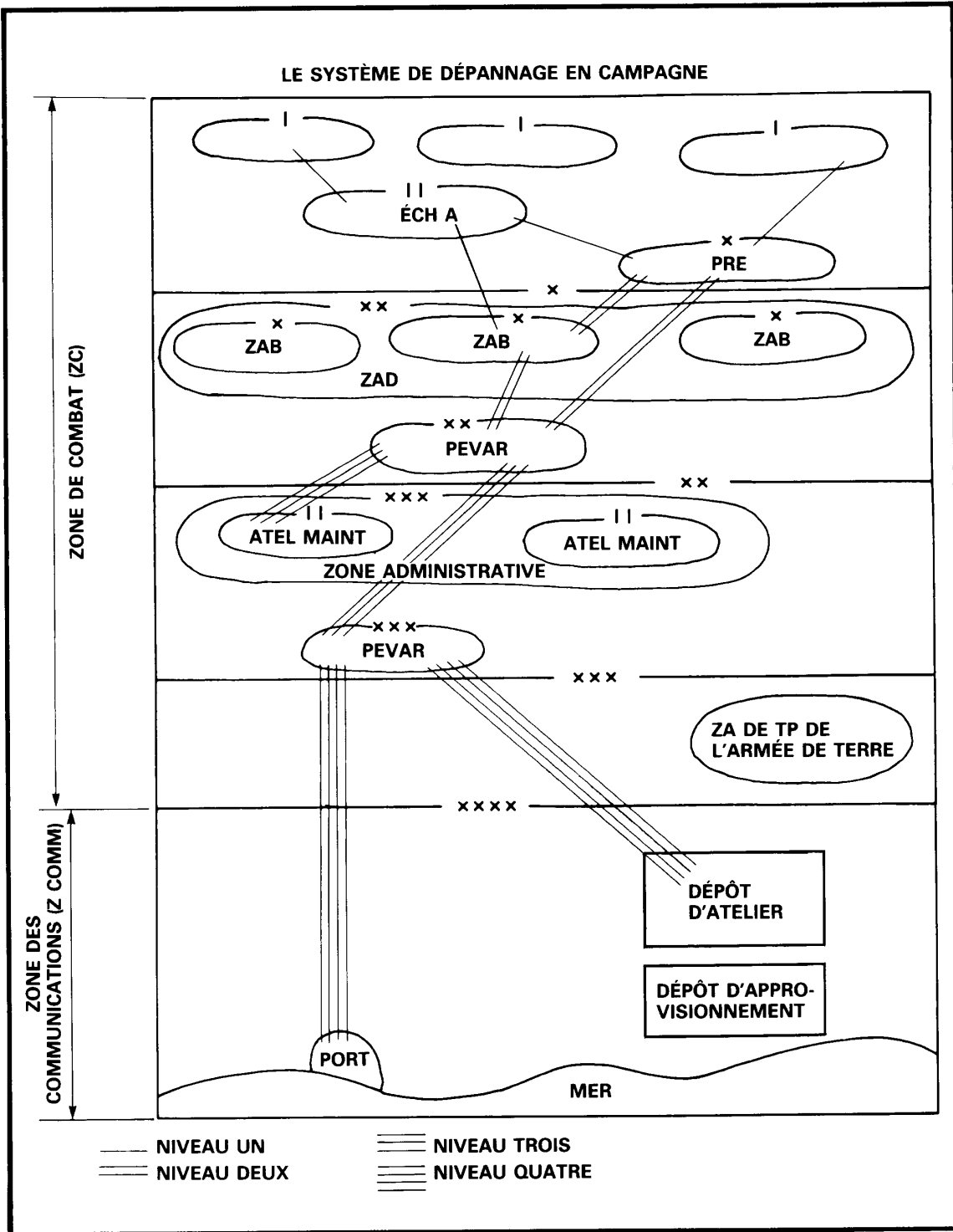


Figure 3-7 Le système de dépannage sur le champ de bataille

## CHAPITRE 4

### MAINTENANCE D'UNITÉ

#### SECTION 1

#### INTRODUCTION

#### GÉNÉRALITÉS

1. Dans le contexte du corps d'armée canadien, chaque organisme de la taille d'un bataillon ou d'un régiment possède sa propre sous-unité (peloton ou troupe) du Génie électrique et mécanique (GEM) de maintenance de premier échelon. Les unités secondaires peuvent posséder un organisme du GEM grand comme une section ou alors, ne disposer d'aucune ressource interne du Génie électrique et mécanique; elles doivent à ce moment-là compter sur les services des unités de soutien au combat de deuxième échelon.

2. Ce chapitre précise les activités des organismes du GEM au niveau des unités. La section 1 précise le but, le rôle et la portée de la maintenance au niveau de l'unité. La section 2 porte sur les facteurs d'organisation qui influent sur la composition des divers pelotons et des diverses troupes de maintenance. La section 3 traite des ressources du GEM dont dispose un peloton et une troupe de maintenance. À la section 4, il est question du commandement et du contrôle exercés au niveau d'un peloton ou d'une troupe de maintenance d'unité ainsi que des postes clés. La section 5 donne un aperçu des activités du service du GEM au niveau de l'unité. Pour terminer, la section 6 expose le fonctionnement d'un organisme de maintenance dans chaque unité d'armes de combat, d'appui au combat et de soutien au combat.

#### RÔLE ET PORTÉE

3. **Rôle.** Le peloton ou la troupe de maintenance d'unité a pour fonction de maintenir l'équipement de l'unité dans le meilleur état de fonctionnement possible. Il n'est pas responsable de l'équipement des services de santé, des communications, des soins dentaires ou de l'aviation tactique. Pour que l'équipement de l'unité soit maintenu en état de servir au combat, il faut faire appel à des techniciens qualifiés, capables d'assurer les services de maintenance dans les meilleurs délais.

4. **Portée.** Lorsque l'organisme de maintenance d'unité fonctionne comme collectif ou comme sous-unité indépendante, il se charge d'effectuer la maintenance de l'équipement de l'unité au premier échelon, ce qui comprend non seulement les réparations du premier niveau et quelques-unes du deuxième, mais encore l'entretien courant, le dépannage, les inspections, les modifications et l'approvisionnement en pièces de rechange.

## SECTION 2

### FACTEURS D'ORGANISATION

#### INTRODUCTION

5. Les facteurs qui influent sur l'organisation des unités du GEM sont décrits à la section 2 du chapitre 3. Ils jouent un rôle important dans l'organisation de la maintenance d'unité. La présente section précise ce qui influe directement sur l'organisation d'une troupe ou d'un peloton de maintenance d'unité. En outre, elle traite des caractéristiques et du cadre d'organisation du peloton ou de la troupe de maintenance d'unité.

6. Au niveau d'une unité d'armes de combat, on se sert du système d'échelons pour déterminer la distribution des ressources d'unité. Voici en quoi consiste le système d'échelons :

- a. **Échelon F.** Cet échelon comprend les hommes, les armes et les véhicules nécessaires aux opérations tactiques immédiates.
- b. **Échelon A.** Il s'agit de la zone où se trouvent les organismes de soutien au combat de l'unité. L'échelon A peut être subdivisé comme suit :
  - (1) **Échelon (Éch) A1.** Cet échelon comprend les hommes, les véhicules, l'équipement et les ressources médicales nécessaires au réapprovisionnement, aux réparations et à la maintenance ponctuelle de l'échelon F. Habituellement, il relève du commandant de l'équipe de combat et se trouve à un ou deux bonds tactiques derrière l'échelon F.
  - (2) **Échelon (Éch) A2.** Cet échelon comprend le reste des hommes, des véhicules, de l'équipement et des ressources médicales qui doivent être situés à l'avant, question d'effectuer les réparations et d'assurer la maintenance et le réapprovisionnement de l'échelon F au jour le jour. L'échelon A2 est mis sur pied si la situation tactique s'y prête ou si les besoins de l'unité l'exigent.
- c. **Échelon B.** Cet échelon comprend les hommes, les véhicules et l'équipement qu'on ne trouve pas au niveau des échelons F ou A, mais qui sont nécessaires à l'administration courante de l'unité.

7. À la figure 4-1, on se sert d'un bataillon d'infanterie pour illustrer le système d'échelons. Il est à noter que le peloton de maintenance (Pon maint) correspond à l'échelon A2. Au besoin, les ressources de maintenance peuvent être déployées dans les échelons A1 de l'échelon F.

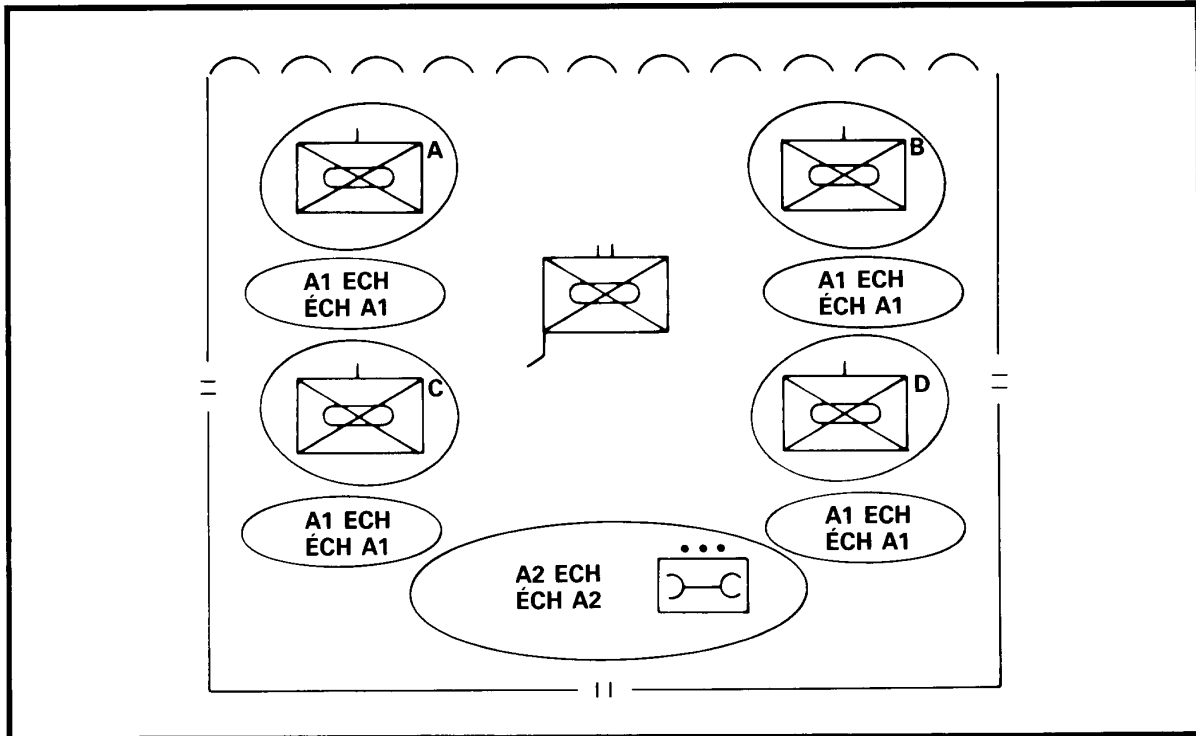


Figure 4-1 Le système d'échelons

## CARACTÉRISTIQUES DE LA TROUPE OU DU PELOTON DE MAINTENANCE

8. Le peloton ou la troupe de maintenance est organisé de manière à s'adapter au rôle, à l'organisation et à l'équipement de l'unité qu'il soutient. Étant donné que la troupe ou le peloton (et parfois la section) de maintenance de l'unité est le plus petit organisme du GEM, il est souvent nécessaire de combiner deux ou plus des fonctions décrites à la section 2 du chapitre 3.

9. Voici les caractéristiques des pelotons et des troupes de maintenance d'unité :

- a. **Organisation axée sur l'équipement à maintenir.** La troupe ou le peloton de maintenance d'unité est en mesure d'assurer la maintenance de premier échelon de tout l'équipement que possède l'unité et dont le service du GEM est responsable. C'est donc dire que la troupe ou le peloton de maintenance d'unité comprend et les techniciens qualifiés capables d'exécuter les fonctions de maintenance exigées et tout le matériel (outils, manuels, appareils d'essai et pièces de rechange) qui leur est nécessaire.
- b. **Effectifs.** La troupe ou le peloton de maintenance d'unité a pour raison d'être d'assurer la maintenance immédiate de l'équipement de l'unité. Comme c'est le nombre et la complexité des équipements de l'unité qui déterminent les effectifs, le nombre des personnes peut varier de 30 à 100.

- c. **Mobilité.** Chaque troupe ou peloton de maintenance d'unité dispose des véhicules et de l'équipement capables de lui conférer une mobilité comparable à celle de l'unité soutenue.
- d. **Commandement.** Chaque troupe ou chaque peloton de maintenance d'une unité importante est placé sous les ordres d'un officier du GEM. Ce dernier agit en outre comme conseiller en matière de génie électrique et mécanique auprès du commandant d'unité.
- e. **Contrôle technique.** La troupe ou le peloton de maintenance fait à la fois partie intégrante de l'unité et partie d'un maillon dans la chaîne de contrôle technique (chapitre 2, section 2). Les discussions sont ainsi rendues possibles sur des questions liées au GEM avec le G4 Maint au quartier général de la brigade et sur la direction technique provenant de l'état-major de la formation supérieure du GEM.
- f. **Souplesse.** La troupe ou le peloton de maintenance d'unité est en mesure d'effectuer la maintenance de premier échelon dans le même environnement auquel est exposé l'unité. De plus, la maintenance peut être centralisée ou décentralisée : dans le premier cas, elle se fait au même endroit; dans l'autre, les techniciens sont envoyés à l'avant, là où les services du GEM sont requis.
- g. **Limites.** Même dans le soutien à apporter au plan du commandant d'unité, la troupe ou le peloton de maintenance d'unité sont soumis à un certain nombre de limitations :
  - (1) Ne sont effectuées que les réparations rapides, en raison d'une main-d'oeuvre limitée. Même si les techniciens ont reçu toute la formation technique voulue et qu'ils ont en main les manuels d'instruction, les outils, les appareils d'essai et les pièces de rechange nécessaires pour effectuer de longues et complexes réparations, ils ne doivent pas normalement consacrer plus de quatre heures à la même tâche. Tout équipement dont la réparation demande plus de temps est généralement envoyé à l'arrière à l'organisme du GEM de deuxième échelon.
  - (2) Étant donné leur fragilité et leur sensibilité, certains appareils d'essai électroniques, notamment les systèmes de conduite de tir, les lasers et les appareils optiques, doivent être placés dans des endroits relativement stables et parfois à l'abri de la poussière. Comme les pelotons de maintenance d'unité sont très mobiles et manoeuvrent sur des terrains accidentés, les équipements d'essai pourraient facilement s'abîmer. Ils se retrouvent donc dans les organismes du GEM de deuxième ou de troisième échelon.
  - (3) En raison du nombre limité de véhicules de dépannage blindés et à roues, il est toujours difficile d'effectuer immédiatement la récupération. Par

conséquent, c'est aux officiers de maintenance d'unité d'établir les priorités de dépannage au cours des opérations; il faut alors recourir à d'autres moyens si possible.

- (4) L'ennemi tout près oblige le personnel du GEM à se déplacer et à travailler dans un environnement tactique, ce qui signifie assurer sa propre protection et se camoufler. C'est donc dire qu'il faut respecter les consignes de bruit et d'éclairage, se camoufler, se dissimuler et limiter le plus possible ses mouvements. Toutes ces exigences retardent le service que le peloton ou la troupe de maintenance doit fournir.
- (5) Souvent la situation tactique exige que le silence radio ou électronique soit imposé. Étant donné que l'opérateur radio est normalement chargé d'informer le personnel du GEM lorsqu'une pièce d'équipement tombe en panne, il faut recourir à un moyen d'information autre que la radio. C'est donc avec un certain retard que le personnel du GEM est informé de l'emplacement de l'équipement à réparer et de l'importance de la panne.

## FACTEURS D'ORGANISATION

10. Une troupe ou un peloton de maintenance d'unité est organisé de manière à pouvoir exécuter les fonctions mentionnées à la section 2 du chapitre 3, à savoir :

- a. **Le commandement.** Cette fonction est assurée par l'officier de maintenance d'unité, appuyé du sergent quartier-maître électricien et technicien (SQMET).
- b. **La planification et le contrôle.** Ces fonctions sont exécutées par l'officier de maintenance, le SQMET et le commandant de la section de production. Étant donné que dans un peloton, l'étendue des opérations est limitée, il n'est pas nécessaire d'avoir un état-major qui s'occuperait uniquement de la planification et du contrôle.
- c. **L'administration technique.** Chaque troupe ou chaque peloton de maintenance emploie un commis chargé de rédiger les rapports et les comptes rendus techniques.
- d. **Le soutien en pièces de rechange.** Dans chaque troupe ou peloton de maintenance, le fait de commander, de contrôler et de distribuer les pièces de rechange relève d'un ou de plusieurs techniciens d'approvisionnement. Le SQMET les conseille quant aux quantités de pièces de rechange à garder en réserve.
- e. **La production.** Une troupe ou un peloton de maintenance peut compter quelques sections de production, mais en général, il n'y en a que deux : la section de maintenance des véhicules et la section de maintenance des accessoires. Le gros de la main-d'oeuvre doit se consacrer aux réparations des véhicules, en raison de leur importance dans presque toutes les unités. La section de maintenance des

accessoires comprend, quant à elle, des techniciens spécialisés dans la réparation des autres types d'équipements que possède l'unité.

- f. **L'administration de l'unité.** L'administration de l'unité relève d'habitude du personnel administratif de l'unité d'appartenance. Le peu de travail d'administration de l'unité qui doit se faire au niveau du peloton ou de la troupe relève du commis de la troupe ou du peloton.

11. La figure 4-2 présente l'organigramme d'une troupe ou d'un peloton de maintenance type. Il est à noter que les sections de production peuvent être subdivisées en sous-sections si la troupe ou le peloton de maintenance dispose des ressources voulues.

12. La maintenance de l'équipement de communications au niveau de l'unité ne relève pas du service du GEM. C'est l'affaire des techniciens de la troupe des transmissions d'unité de maintenir en bon état de fonctionnement tout l'équipement de communications. Le radiotechnicien doit travailler en étroite collaboration avec le personnel du peloton de maintenance et, de fait, il est probable que son service soit co-implanté avec le peloton de maintenance.

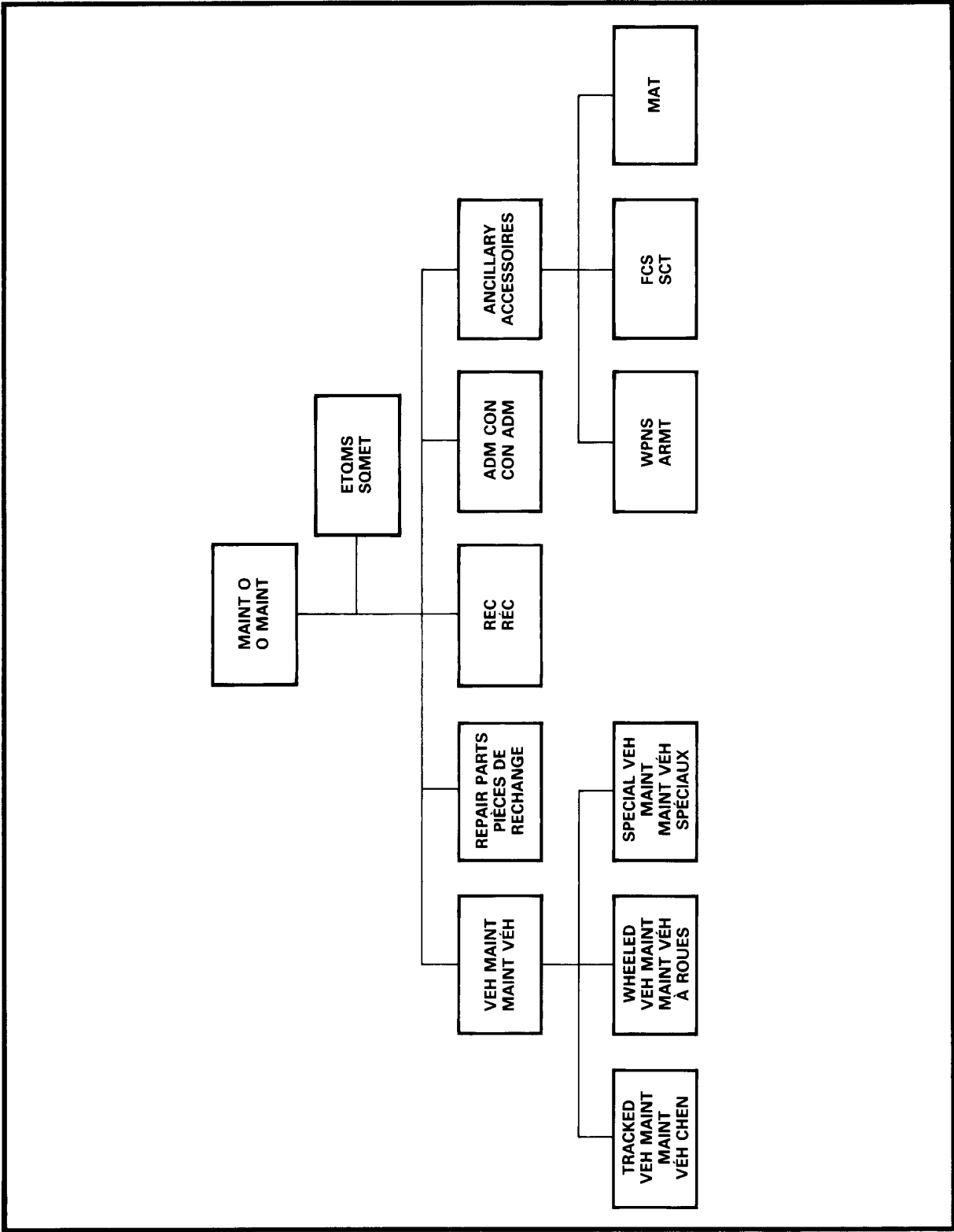


Figure 4-2 Organigramme d'une troupe ou d'un peloton de maintenance type



## SECTION 3

### RESSOURCES

#### GÉNÉRALITÉS

13. La section 3 du chapitre 3 donne un aperçu des ressources générales à la disposition des organismes du GEM. Elle traite des ressources faisant partie intégrante des pelotons et des troupes de maintenance d'unité, à savoir la main-d'oeuvre, les véhicules, l'équipement technique, les pièces de rechange ainsi que les fournitures et l'équipement d'unité.

#### MAIN-D'OEUVRE

14. Pour chaque type de techniciens, les effectifs varient en fonction des sortes d'équipements que possède l'unité.

15. Une troupe ou un peloton de maintenance d'unité est généralement organisé comme le montre la figure 4-2 et comprend le personnel suivant :

- a. l'officier de maintenance d'unité (O Maint), qui est capitaine du GEM;
- b. le sergent quartier-maître électricien et technicien (SQMET), qui est adjudant-maître du GEM;
- c. le personnel de la section des pièces de rechange, comprenant un ou plusieurs techniciens d'approvisionnement et habituellement sous les ordres d'un caporal-chef;
- d. le commis d'administration, qui est caporal et qui travaille au poste de commandement du peloton ou de la troupe;
- e. le personnel de la section de maintenance des véhicules (maint véh), relevant habituellement d'un adjudant technicien de véhicules. Tous les techniciens de la section sont des techniciens de véhicules et constituent plus de la moitié du total de l'effectif du peloton ou de la troupe. La section est souvent subdivisée en sous-sections :
  - (1) une sous-section de maintenance des véhicules chenillés (maint véh chen), chargée d'effectuer la maintenance des véhicules mécanisés. Elle n'est mise sur pied que si le nombre de chenillés de l'unité le justifie. Certains des techniciens de véhicules doivent avoir suivi des cours spécialisés. Souvent, ils effectuent des réparations en zone avancée,
  - (2) une sous-section de maintenance des véhicules à roues (maint véh à roues), chargée, comme son nom l'indique, d'effectuer la maintenance des véhicules à roues. Toutes les unités ont besoin d'entretenir leurs véhicules

à roues. Mais comme la plupart sont d'un modèle militaire normalisé (MMN), l'entretien des véhicules ne présuppose pas de formation spécialisée, et

- (3) une sous-section de maintenance des véhicules spéciaux (maint véh spéciaux) affectée à la réparation des véhicules spéciaux (par exemple le matériel du génie) des unités qui en sont dotées. En général, il faut que tous les techniciens de véhicules de cette sous-section aient suivi des cours portant sur la maintenance des véhicules à réparer;
- f. le personnel de la section du dépannage et de la récupération (réc), formé de techniciens de véhicules et commandé par un sergent ou un caporal-chef. Dans certaines unités, cette section relève de la section de maintenance des véhicules; et
- g. le personnel de la section de maintenance des accessoires, habituellement sous les ordres d'un adjudant qui est soit technicien en armement (Terre), soit technicien de systèmes de conduite de tir, soit technicien des matériaux. Elle compte les sous-sections suivantes :
- (1) une sous-section de maintenance des armes, commandée par un sergent qui est technicien en armement (Terre). L'effectif de techniciens en armement peut varier,
  - (2) une sous-section de maintenance des systèmes de conduite de tir (SCT); c'est un sergent ou un caporal-chef, technicien de conduite de tir, qui la commande. L'effectif comprend des techniciens de conduite de tir (en optique électronique), des techniciens de conduite de tir (en électronique) et des radaristes, selon les types d'équipement que possède l'unité soutenue, et
  - (3) une sous-section des matériaux (mat) comprenant un technicien des matériaux ou plus et sous le commandement d'un sergent ou d'un caporal-chef.

## VÉHICULES

16. Une troupe ou un peloton de maintenance d'unité possède le nombre de véhicules qu'il lui faut pour jouer son rôle. La troupe ou le peloton possède une mobilité comparable à celle de l'unité soutenue et possède des véhicules du même genre que ceux de l'unité. Voici les types de véhicules que possèdent la plupart des troupes et des pelotons de maintenance :

- a. des véhicules chenillés, par exemple des véhicules blindés de dépannage. (Les VBD offrent une protection et autant de mobilité que les chenillés de l'unité.) Normalement, les chenillés sont du même modèle que ceux de l'unité soutenue et servent à la maintenance en zone avancée;et

- b. des véhicules à roues, composant la majorité de la flotte de véhicules, notamment :
- (1) des véhicules de dépannage, moyens et lourds,
  - (2) des véhicules de pièces de rechange compartimentés pour qu'on puisse y placer les pièces de rechange,
  - (3) des véhicules spécialement équipés (VSE) pour la maintenance des armes, des systèmes de conduite de tir, des matériaux ainsi que pour les inspections et les réparations,
  - (4) un véhicule de poste de commandement servant, comme son nom l'indique, de poste de commandement (PC) de peloton ou de troupe, et
  - (5) des véhicules de transport de marchandises générales.

## **ÉQUIPEMENT TECHNIQUE**

17. Chaque troupe ou peloton de maintenance d'unité est doté des outils manuels, des outils d'atelier, de l'équipement d'essai électronique et d'optique électronique, des articles techniques consommables et des manuels techniques nécessaires à l'exécution de ses fonctions.

## **PIÈCES DE RECHANGE**

18. La section des pièces de rechange de la troupe ou du peloton de maintenance d'unité garde en stock une réserve de pièces de rechange servant aux réparations du premier échelon et suffisant à lui conférer une autonomie de 15 jours. La troupe ou le peloton possède de un à quatre véhicules, chacun avec remorque, servant au transport des pièces de rechange. Certaines unités comptent plus de véhicules de pièces de rechange que de techniciens d'approvisionnement. Il faut alors faire appel à d'autres membres du peloton de maintenance pour conduire les véhicules.

## **FOURNITURES ET ÉQUIPEMENT D'UNITÉ**

19. Les fournitures et l'équipement d'unité que possède la troupe ou le peloton de maintenance lui permettent de vivre et de travailler là où l'unité soutenue est déployée. Chaque technicien reçoit une arme personnelle. La troupe ou le peloton possède un certain nombre de mitrailleuses Chain Gun et d'armes antichars. De plus, le poste de commandement du peloton, chaque équipe mobile de réparation et chaque véhicule de récupération sont équipés d'un poste radio.

## SECTION 4

### COMMANDEMENT ET CONTRÔLE

#### MAINTENANCE CENTRALISÉE ET DÉCENTRALISÉE

20. Le commandement et le contrôle des ressources du GEM au niveau de l'unité s'exercent de l'une des deux façons suivantes :

- a. **Maintenance centralisée.** Tout le personnel du GEM demeure sous le commandement et le contrôle de l'officier de maintenance d'unité.
- b. **Maintenance décentralisée.** Une partie du personnel du GEM demeure sous le commandement permanent des commandants de compagnie ou d'escadron et ne relève de l'officier de maintenance d'unité que pour le contrôle technique.

21. C'est le commandant d'unité qui décide s'il y a lieu de centraliser ou de décentraliser la maintenance assurée par le personnel du GEM. En général, le contrôle centralisé a cours dans les unités qui exécutent leurs tâches à un seul endroit et dont la plupart des sous-unités, sinon toutes, sont concentrées dans un seul secteur.

22. Le contrôle décentralisé du personnel du GEM est habituellement mis en place dans les unités où les compagnies, les escadrons ou les batteries sont détachés à intervalles réguliers de leur unité d'appartenance pour se déplacer en autonomie.

23. La majorité des unités se montre très souple face au contrôle du personnel du GEM, la centralisation et la décentralisation étant les deux extrêmes.

#### CHAÎNE DE COMMANDEMENT DANS UNE UNITÉ

24. Habituellement, le peloton de maintenance d'unité fait partie de la batterie, de l'escadron ou de la compagnie d'administration. L'officier de maintenance d'unité relève du commandant de la batterie, de l'escadron ou de la compagnie des services ou de l'administration, mais il peut en référer directement au commandant pour toute question touchant le génie électrique et mécanique.

25. Lorsqu'une unité adopte le principe de la maintenance centralisée, tout le personnel du GEM relève de l'officier de maintenance d'unité et fait partie de la batterie, de l'escadron ou de la compagnie des services ou d'administration. Lorsque la maintenance est décentralisée, les sections de maintenance des batteries, des escadrons ou des compagnies sont placées sous les ordres du commandant de la sous-unité.

26. La figure 4-3 montre comment s'articule la chaîne de commandement dans les deux cas.

## PRINCIPAUX POSTES

27. L'officier de maintenance d'unité s'organise pour que la troupe ou le peloton n'ait besoin que d'un minimum de supervision. Il délègue les fonctions opérationnelles et administratives courantes et se concentre sur les questions inhabituelles ou délicates. Voici les principaux membres des troupes et des pelotons de maintenance d'unité :

- a. l'officier de maintenance d'unité;
- b. le sergent quartier-maître électricien et technicien;
- c. l'adjudant responsable des réparations de véhicules;
- d. le commandant de la section du dépannage;
- e. l'adjudant responsable de la réparation des accessoires; et
- f. le commandant de la section des pièces de rechange.

28. **L'officier de maintenance d'unité.** L'officier de maintenance d'unité, également connu sous les appellations de l'O Maint ou du capt adj tech, est chargé de ce qui suit :

- a. commander et entraîner la troupe ou le peloton de maintenance d'unité en vue d'en assurer le fonctionnement efficace;
- b. coordonner l'ensemble des réparations, des inspections et des récupérations effectuées dans l'unité;
- c. s'occuper de la gestion des pièces de rechange;

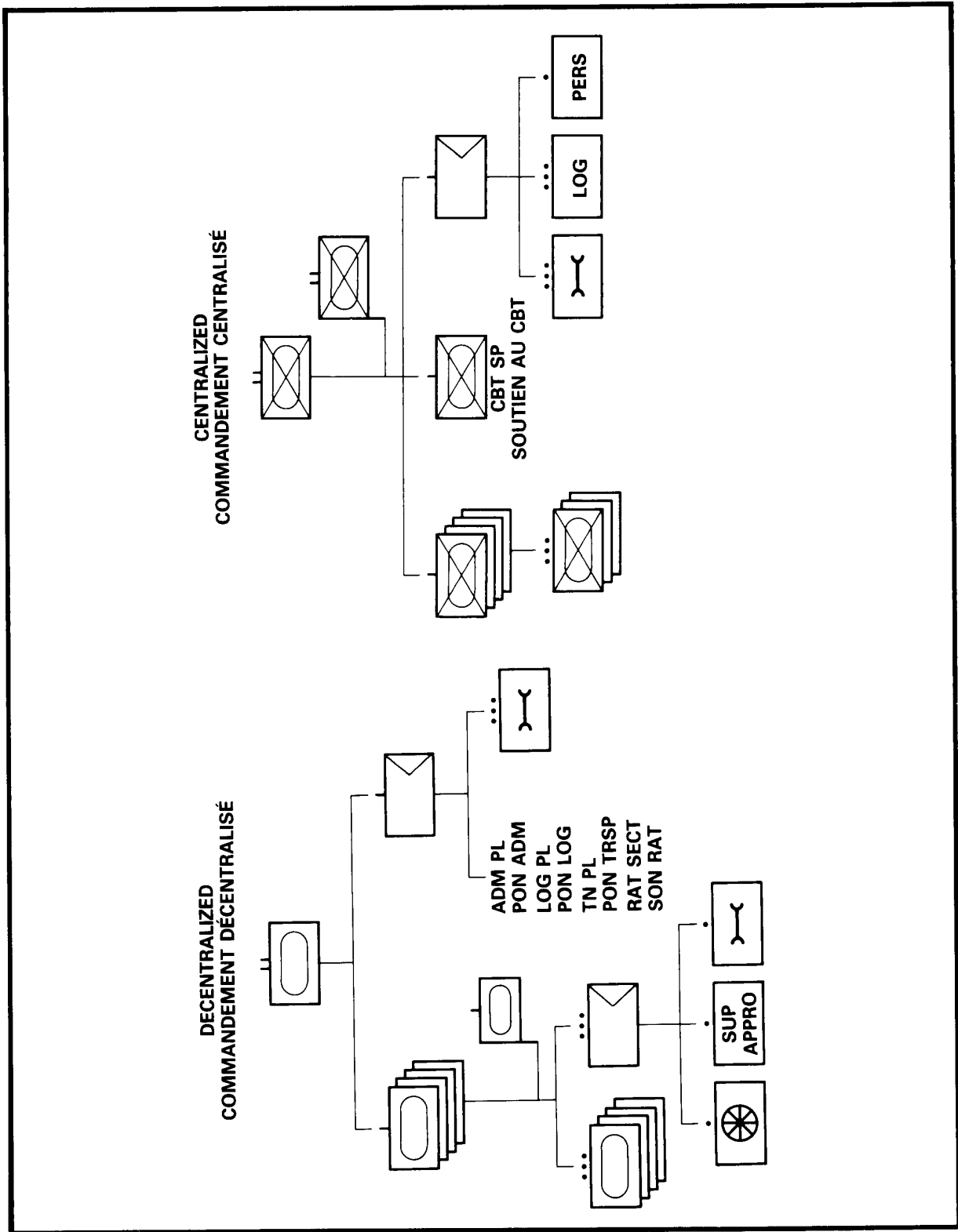


Figure 4-3 Exemples des commandements centralisé et décentralisé du personnel du GEM

- d. donner des conseils au commandant d'unité et aux commandants de compagnie, d'escadron ou de batterie sur toutes les questions touchant l'entretien courant, le dépannage, les réparations, l'inspection, les modifications et l'état général de l'équipement technique de l'unité;
- e. enquêter sur toutes les déficiences de l'équipement de l'unité et toutes les modifications proposées et en rendre compte;
- f. assurer le fonctionnement du système d'envoi rapide à l'arrière de l'équipement endommagé que ne peut réparer le peloton ou la troupe;
- g. publier les instructions de maintenance avec l'autorisation du commandant;
- h. consigner toutes les activités de maintenance;
- j. prendre les mesures qui s'imposent pour garantir la sécurité des fournitures et de l'équipement;
- k. s'assurer que le personnel du GEM possède tous les renseignements techniques nécessaires et exiger les publications techniques au besoin;
- m. appliquer les procédures de combat à l'appui des opérations de l'unité, c'est-à-dire entre autres, émettre des ordres, préciser les opérations de l'unité à tous les membres de la troupe ou du peloton et nommer un représentant qui se joindra à l'équipe de reconnaissance de l'échelon A;
- n. agir comme officier de service au poste de commandement de l'échelon A, sur demande; et
- p. se tenir en contact avec l'état-major du GEM de la formation et avec l'organisme du GEM de deuxième échelon.

29. **Le sergent quartier-maître électricien et technicien (SQMET).** Le SQMET relève de l'officier de maintenance d'unité; voici ce qu'il doit faire :

- a. agir à titre de commandant de troupe ou de peloton de maintenance en l'absence de l'officier de maintenance d'unité;
- b. assurer la supervision globale des sections de production et du poste de commandement de peloton;
- c. partager bon nombre de tâches administratives, techniques, disciplinaires et axées sur la main-d'oeuvre; et

- d. conseiller l'officier de maintenance d'unité en matière de problèmes et de processus techniques.

30. **L'adjudant de réparation des véhicules.** Sous la compétence du SQMET, l'adjudant de réparation des véhicules est chargé des fonctions suivantes :

- a. assurer le contrôle technique de toutes les réparations qui se font sur les véhicules dans l'unité;
- b. se tenir en liaison constante avec les sections de maintenance de compagnie, d'escadron ou de batterie si le contrôle mis en place à l'unité est décentralisé;
- c. coordonner l'établissement des barèmes de dotation en pièces de rechange de véhicules et, de concert avec le commandant de la section des pièces de rechange, contrôler les pièces;
- d. rédiger les documents nécessaires et en coordonner l'établissement; s'occuper entre autres, des bons de travail, des comptes rendus de défauts techniques (CRTD), des rapports d'état non satisfaisant (RIENS) et des statistiques périodiques sur la charge de travail;
- e. surveiller la mise en oeuvre des programmes de modification des systèmes de véhicules;
- f. remplacer le SQMET en son absence; et
- g. surveiller les manoeuvres de dépannage et de récupération lorsque la section de dépannage du peloton de maintenance est placée sous les ordres du commandant de la section de maintenance des véhicules.

31. **Le commandant de la section du dépannage.** Le commandant de la section du dépannage relève du SQMET ou de l'adjudant chargé de la réparation des véhicules; voici ce qu'il doit faire :

- a. superviser toutes les activités de dépannage et de récupération dans l'unité et en assurer le contrôle technique;
- b. coordonner l'envoi à l'arrière au point de rassemblement de l'équipement (PRIE) des véhicules endommagés en vue de leur acheminement à l'organisme du GEM de soutien de deuxième échelon;
- c. assurer le fonctionnement continu de toutes les ressources de dépannage de l'unité; et
- d. remplir tous les rapports et tous les comptes rendus nécessaires.



32. **L'adjudant responsable des accessoires.** L'adjudant responsable des accessoires, qui relève du SQMET, doit voir à exécuter les tâches suivantes :

- a. assurer le contrôle technique de toute la maintenance effectuée dans l'unité et portant sur les armes, les systèmes de conduite de tir, les radars et les matériaux;
- b. se tenir en liaison constante avec les sections de maintenance de compagnie, d'escadron ou de batterie si le système de contrôle mis en place à l'unité est décentralisé;
- c. coordonner l'établissement des barèmes de dotation en pièces de rechange pour les armes, les systèmes de conduite de tir, les radars, et la dotation en pièces liées aux matériaux; se tenir en contact avec le commandant de la section des pièces de rechange;
- d. remplir les documents nécessaires, dont les bons de travail, les comptes rendus de défauts d'équipement (CRDE), les rapports d'état non satisfaisant (RENS) et les statistiques sur la charge de travail et en coordonner l'établissement; et
- e. surveiller la mise en oeuvre des programmes de modifications liés aux armes, aux systèmes de conduite de tir, aux radars et aux matériaux.

33. **Le commandant de la section des pièces de rechange.** Sous le commandement du SQMET, le caporal-chef technicien en approvisionnement doit s'acquitter des tâches suivantes :

- a. diriger les activités de la section des pièces de rechange;
- b. maintenir la dotation autorisée en pièces de rechange, soit normalement l'équivalent d'une réserve de stock bonne pour 15 jours;
- c. distribuer les pièces aux sections de production et, dans le cas d'une maintenance décentralisée, aux sections de maintenance de compagnie, d'escadron ou de batterie;
- d. tenir les registres des stocks;
- e. voir à remplacer les pièces de rechange qu'on a dû distribuer pour effectuer certaines réparations;
- f. gérer un centre d'outils et des postes de distribution de fournitures consommables;
- g. gérer les fournitures retournées;
- h. s'entretenir avec les commandants des sections de production afin de s'assurer que les barèmes de pièces de rechange sont maintenus aux niveaux indiqués; et

- j. voir à ce que les véhicules et les remorques de pièces de rechange soient disposés et préparés comme il se doit.

## **COMMUNICATIONS**

34. La radio constitue le principal moyen de communication dans un peloton de maintenance d'unité. L'officier de maintenance d'unité garde un poste relié au réseau administratif d'unité, lequel est contrôlé par le commandant de la compagnie, de l'escadron ou de la compagnie des services et de l'administration. Parmi les autres moyens de communication figurent le téléphone et l'estafette.

35. De plus, tous les véhicules de dépannage et des équipes mobiles de réparation (EMR) sont équipés de postes radios de sorte qu'en quittant l'emplacement du peloton de maintenance, ils seront reliés à un réseau administratif de sous-unité, s'il y a lieu.

36. L'officier de maintenance d'unité a accès à l'organisme du GEM de soutien de deuxième échelon et à l'état-major du GEM au quartier général de formation grâce au poste radio tactique, au radio téléimprimeur, au service téléphonique ou au service des estafettes (SDE).

## SECTION 5

### LES ACTIVITÉS DU GEM AU NIVEAU DE L'UNITÉ

#### RÉPARATIONS EFFECTUÉES AU NIVEAU DE L'UNITÉ

37. Au cours des opérations, la troupe ou le peloton de maintenance a pour fonction principale de garder le plus grand nombre possible de pièces d'équipement de l'unité en état de servir au combat. Pour y arriver, il faut chercher à effectuer le plus grand nombre de réparations mineures sur place. L'équipement qu'on ne peut réparer en quelques heures doit être envoyé à l'arrière ou signalé à une autorité supérieure.

38. L'entretien au jour le jour de l'équipement se poursuit, mais les inspections périodiques sont reportées jusqu'à ce qu'il y ait accalmie au combat. Les réparations mineures qu'on peut reporter sans nuire à l'efficacité au combat sont également remises jusqu'à ce que la charge des travaux urgents soit moins lourde.

39. Au cours des opérations, les éléments des sections de maintenance peuvent être très éloignés du peloton ou de la troupe de maintenance. Les commandants de section doivent se tenir en contact étroit avec le poste de commandement de compagnie, d'escadron ou de batterie afin d'être informés sur-le-champ des récupérations, des réparations mineures et des envois à l'arrière à effectuer. Chaque commandant de section sait par expérience ce qu'il faut en termes de temps, de main-d'oeuvre, de pièces de rechange, d'outillage et d'équipement spécial pour que les réparations se fassent.

40. L'officier de maintenance d'unité, le SQMET, l'adjudant de maintenance des véhicules et l'adjudant de maintenance des accessoires doivent faire des visites d'inspection aux sections de maintenance éloignées à intervalles réguliers. Pour toutes les pièces d'équipement endommagées que ces sections-là ne sont pas en mesure de réparer par manque de ressources humaines ou matérielles, on prendra l'une ou l'autre des dispositions suivantes :

- a. le personnel de la troupe ou du peloton de maintenance, muni de l'équipement et des fournitures nécessaires, est envoyé à l'avant pour effectuer les réparations;
- b. l'équipement est envoyé à l'arrière pour que le peloton ou la troupe de maintenance d'unité le répare;
- c. l'équipement est laissé sur place; les dispositions sont prises pour qu'une équipe mobile de réparation (EMR) de l'organisme du GEM de soutien de deuxième échelon effectue les réparations; et
- d. l'équipement non réparable est abandonné ou détruit.

41. Il est de pratique courante que les équipages demeurent sur place pendant que le personnel du GEM d'unité répare leur véhicule. Toutefois, il n'est pas toujours possible de procéder ainsi, tout spécialement au cours d'opérations intensives où on a un besoin urgent d'équipages de véhicules. Dans ces cas-là, seule une partie de l'équipage restera près du véhicule.
42. Pour maintenir le plus grand nombre possible de véhicules en état de servir au combat, on doit souvent récupérer des pièces de véhicules inutilisables. C'est l'officier de maintenance d'unité qui doit contrôler l'emprunt de pièces.
43. L'équipement endommagé que le peloton ou la troupe n'est pas en mesure de réparer, faute de moyens ou de compétences, est traité de l'une des deux façons suivantes :
- a. l'équipement que peut réparer sur place l'organisme du GEM de deuxième échelon est laissé ou transporté à un endroit déterminé; il faut alors acheminer la demande de réparation à l'organisme du GEM de deuxième échelon; et
  - b. l'équipement qui ne peut être réparé sur place est envoyé à l'arrière à l'organisme du GEM de deuxième échelon, soit par le biais du système de dépannage (pour les véhicules et l'équipement principal), soit par le biais du système d'approvisionnement (pour les pièces de matériel accessoire et les assemblages).
44. Les demandes de services de réparation en zone avancée sont normalement envoyées par poste radio tactique ou par radio téléimprimeur à l'organisme du GEM de deuxième échelon intéressé. Les IPO de formation expliquent la façon de présenter les demandes de récupération ou de réparation. Normalement, ces demandes comprennent les renseignements suivants :
- a. l'identification de l'unité;
  - b. le type, le modèle et le numéro d'enregistrement de l'équipement;
  - c. la classification de l'état de l'équipement;
  - d. des indications suivant lesquelles l'équipement peut être déplacé, tiré ou soulevé pour être remorqué;
  - e. les coordonnées de l'emplacement;
  - f. l'importance de la réparation;
  - g. des précisions sur l'emplacement, en mentionnant les champs de mines, le type de terrain, le niveau de contamination nucléaire, biologique et chimique (NBC) et les voies d'approche; et
  - h. la mention que l'équipage se trouve à côté de l'équipement.

45. Le commandant peut ordonner la destruction de l'équipement qui risque d'être capturé par l'ennemi. Le personnel du GEM doit alors veiller à ce que l'équipement endommagé à abandonner soit détruit conformément aux dispositions des IPO de l'unité. En règle générale, tout équipement qui peut être envoyé à l'arrière d'une façon ou d'une autre ne doit pas être détruit, mais doit être acheminé là où il peut être remis en état pour les opérations suivantes.

46. Lorsqu'il y a accalmie au cours d'opérations intensives menées par l'unité ou que celle-ci se replie du front, les activités de maintenance reprennent leur cours normal. Comme l'accent est mis sur les inspections périodiques, l'unité rattrape le temps perdu et effectue toutes les réparations et toutes les modifications en souffrance en vue de la prochaine opération.

47. Il faut absolument établir des documents techniques sur les réparations effectuées, quel que soit le type d'opération qu'entreprend l'unité. Il faut au moins établir ou tenir les documents suivants :

- a. **Registre des réparations en souffrance.** Ce registre est gardé au poste de commandement de la troupe ou du peloton pour qu'y soient consignées toutes les réparations en souffrance. Il est divisé en différentes parties, soit une pour chacune des sous-sections de production. Le registre permet de suivre et d'établir les priorités de réparations en souffrance. Il sert également à renseigner sur les carnets de données sur l'équipement et sur les pièces d'équipement qui sont envoyées à l'arrière.
- b. **Carnets de données sur l'équipement.** Ces carnets de bord accompagnent la plupart des équipements principaux, y compris les blindés, l'équipement du génie et les génératrices. Il incombe à l'officier de maintenance d'unité de veiller à ce que les réparations, les inspections et les modifications soient consignées dans la partie où elles doivent l'être.
- c. **Comptes rendus de déficiences.** Quand l'utilisateur de l'équipement constate une déficience, il remplit un compte rendu de déficiences, appelé également bordereau de déficience. On se sert d'une formule établie sur place pour aviser le personnel de maintenance que la réparation s'impose et pour l'informer des circonstances entourant la panne. Les rapports de déficience technique (RDT) qui partent de l'unité servent à signaler les pannes à l'organisme du GEM de soutien de deuxième échelon ainsi qu'à l'état-major du GEM de la formation.
- d. **Certificats de réforme.** On établit des certificats de réforme pour tout équipement déclaré non réparable (NR) que l'officier de maintenance d'unité est autorisé à réformer. Grâce au certificat de réforme, l'utilisateur peut demander que l'article soit remplacé par le biais du système d'approvisionnement.

## PIÈCES DE RECHANGE

48. On ne dira jamais assez à quel point il est important au sein du peloton ou de la troupe de maintenance de l'unité que la section des pièces de rechange soit bien gérée. En effet, sans un bon approvisionnement en pièces de rechange et en articles connexes, le rendement de la section de production en sera considérablement diminué.

49. La section des pièces de rechange comprend un ou plusieurs techniciens d'approvisionnement relevant d'un caporal-chef. Le quartier-maître d'unité exerce le contrôle technique sur la section et, de concert avec l'officier de maintenance d'unité, il donne des conseils au commandant d'unité sur la façon d'approvisionner efficacement l'unité en pièces de rechange.

50. L'unité possède normalement une réserve de pièces de rechange bonne pour 15 jours. Le commandant de la section des pièces de rechange se tient en liaison constante avec les commandants des sections de production afin de rajuster et de mettre à jour les réserves de pièces de rechange des unités. Il s'assure aussi que les stocks sont consignés et qu'on écoule d'abord les stocks initiaux, car de nombreuses pièces se détériorent à la longue.

51. La dotation initiale en pièces de rechange d'une unité nouvellement constituée ou venant d'arriver au combat est déterminée d'après le barème établi par le personnel du GEM. Après un certain temps au combat, l'unité sera en mesure de préciser lesquelles, parmi les dotations en pièces de rechange, sont insuffisantes ou excessives. Les barèmes seront alors rajustés. Par ailleurs, la durée d'utilisation de l'équipement au combat est un autre élément qui influe sur les barèmes de dotation en pièces de rechange des unités. En effet, l'équipement s'use vite lorsqu'il est utilisé au maximum pendant de longues périodes, ce qui augmente les besoins en pièces de rechange.

52. La section des pièces de rechange distribue les pièces aux sections de production selon les besoins. Si une unité adopte un régime de maintenance décentralisé, chaque détachement de réparation possédera une petite quantité des pièces les plus fréquemment employées et devra demander les pièces les moins courantes au besoin. Les équipes mobiles de réparation (EMR) sont également dotées d'une petite réserve de pièces de rechange.

53. La troupe ou le peloton de maintenance se réapprovisionne en pièces de rechange en s'adressant à l'organisme d'approvisionnement de deuxième échelon intéressé, normalement la compagnie d'approvisionnement et de transport (appro et trsp) d'un bataillon des services du GSD ou le bataillon d'approvisionnement du GSD. L'organisme d'approvisionnement de deuxième échelon répond aux demandes courantes de l'unité en livrant, de nuit, les marchandises au point de livraison (PL). Les marchandises urgentes sont acheminées à l'avant par le moyen le plus rapide à toute heure. La marche à suivre concernant les demandes de pièces de rechange figure dans les IPO de formation et d'unités.

54. La troupe ou le peloton de maintenance retourne les pièces réparables et les assemblages accessoires au quartier-maître de l'unité. Ces articles sont alors emballés et envoyés à l'organisme d'approvisionnement de deuxième échelon au point de livraison de nuit, d'où ils peuvent être acheminés à la compagnie ou au bataillon de maintenance pour être réparés.

## DÉPANNAGE AU NIVEAU DE L'UNITÉ

55. L'unité doit assurer ses propres services de dépannage, étant donné qu'elle dispose des véhicules de dépannage adaptés aux types d'équipements dont elle est dotée. L'officier de maintenance d'unité doit rendre compte au commandant de l'emploi efficace des ressources de dépannage de l'unité.

56. Au combat, l'équipement doit être récupéré lorsqu'il tombe en panne, qu'il verse dans un fossé, qu'il s'enlise dans un sol instable ou qu'il est endommagé par l'ennemi. Quelle que soit la cause, dès que l'équipage constate qu'il a besoin d'aide, il envoie un rapport sur l'état du véhicule par le moyen le plus rapide et le plus efficace possible. Il s'agit habituellement d'une demande de dépannage qu'on transmet par message radio ou par estafette. Les IPO de la formation et de l'unité expliquent la façon d'établir la demande de dépannage. Il faut donner au minimum les renseignements suivants :

- a. l'identification de la sous-unité;
- b. le type, le modèle et le numéro d'enregistrement de l'équipement;
- c. la classification de l'état de l'équipement (X, Y, Z, NR);
- d. des indications suivant lesquelles l'équipement doit être tiré ou soulevé pour être remorqué, etc.;
- e. les coordonnées de l'emplacement;
- f. l'importance de l'aide requise;
- g. des précisions sur l'emplacement, en mentionnant les champs de mines, les marais, les voies d'approche, les manoeuvres ennemies dans les environs, le niveau de contamination NBC, etc.; et
- h. la mention que l'équipage se tient près de l'équipement.

57. C'est grâce à la demande de dépannage que la troupe ou le peloton de maintenance est informé du problème pour la première fois. Bien que l'urgence et l'opportunité du dépannage soient souvent assujetties à des considérations d'ordre opérationnel, le personnel du GEM qui répond à une demande de dépannage suit généralement les étapes suivantes :

- a. le commandant de la section du dépannage est informé de la demande et obtient tous les renseignements disponibles;
- b. le commandant de la section du dépannage examine tous les éléments et effectue une reconnaissance initiale, au besoin;

- c. une équipe de réparation est nommée, breffée et envoyée à l'endroit où se trouve le véhicule à récupérer;
- d. à son arrivée au véhicule, l'équipe dépanneuse :
  - (1) confirme que le secteur immédiat est sûr et poste un ou plusieurs gardes, choisi(s) généralement parmi les membres de l'équipage du véhicule,
  - (2) effectue une reconnaissance de l'emplacement et évalue le besoin en équipement supplémentaire,
  - (3) inspecte l'équipement laissé sans équipage afin d'y déceler les mines, les traquenards et toute contamination NBC,
  - (4) l'équipement est dégagé et acheminé à l'endroit d'où il sera remorqué ou mis en route, et
  - (5) décide de toute autre mesure à prendre à la suite de son inspection; et
- e. le véhicule endommagé est réparé sur place ou transporté ailleurs pour être réparé.

58. La section du dépannage de l'unité joue également un rôle important au cours des déplacements. En effet, elle a pour principale tâche d'accompagner l'unité afin de s'assurer que les routes sont dégagées : l'unité peut ainsi maintenir sa mobilité. Pendant les déplacements de l'unité, la section du dépannage doit voir entre autres choses, à ceci :

- a. dépanner les véhicules prioritaires comme les postes de commandement, etc.;
- b. dégager le personnel blessé;
- c. s'assurer que l'équipement de l'unité ne bloque pas la route aux unités qui suivent. L'équipement en panne ou endommagé de l'unité est retiré de la route et transporté à un point de rassemblement de l'équipement (PRE) ou à un poste de récupération où il sera soit réparé, soit récupéré; et
- d. signaler tout l'équipement en panne ou endommagé et préciser leur remplacement et leur état afin que l'unité ait une idée précise des ressources disponibles.

59. En plus des véhicules de dépannage, l'unité se sert du plus grand nombre possible de dépanneuses pour remorquer l'équipement défectueux de manière à libérer les véhicules de dépannage pour les remorquages soulevés et les autres tâches prioritaires.

60. Une fois qu'il est établi que la troupe ou le peloton de maintenance n'est pas en mesure de réparer telle ou telle pièce d'équipement, on l'envoie à l'arrière à l'organisme du GEM de soutien de deuxième échelon ou on dépêche une équipe de techniciens en zone avancée pour qu'elle effectue les réparations sur place. Si l'on retient la première solution, la section du dépannage est



chargée de remorquer la pièce d'équipement depuis l'unité jusqu'au point de rassemblement de l'équipement (PRE). Quant à l'organisme de soutien de deuxième échelon, il est chargé de surveiller l'équipement au PRE et de l'envoyer à son centre de réparation. Bien que le PRE puisse être situé près de l'échelon A d'unité et se trouver dans les limites de l'unité, il revient à l'organisme du GEM de deuxième échelon d'en déterminer l'emplacement et de le doter en personnel.

61. La B-GL-314-005/FP-001, Recovery Manual, précise les techniques de dépannage. De plus, le chapitre 7 précise certaines tâches spéciales de dépannage, notamment l'établissement de postes de dépannage en appui des franchissements de cours d'eau d'assaut, des mouvements routiers, des destructions contrôlées et des trouées dans les champs de mines.

## **INSPECTIONS TECHNIQUES**

62. Les utilisateurs de l'équipement doivent inspecter régulièrement leur matériel pour que les petites déficiences puissent être décelées et réparées immédiatement. Ils doivent vérifier l'équipement avant et après chaque usage, si possible. Au cours des opérations tactiques, l'équipement est mis à rude épreuve et est utilisé sans relâche, souvent à fond de train, pendant de longues périodes. Il est essentiel que l'équipement soit inspecté pendant les repos ou les accalmies afin qu'il soit en bon état pour les opérations à venir. Le processus d'inspection est détaillé dans les manuels et les instructions d'utilisation.

63. Au cours des opérations, les inspections techniques périodiques sont davantage l'exception que la règle. L'unité n'étant en mesure d'effectuer les inspections techniques que pendant les accalmies ou les périodes de repos, les inspections effectuées par les utilisateurs et l'unité revêtent une grande importance.

64. Les commandants d'unité ordonnent périodiquement à l'unité d'inspecter l'équipement afin de s'assurer qu'il est complet et en bon état de fonctionnement et que la maintenance effectuée à l'unité est satisfaisante. L'inspection est habituellement dirigée par le commandant d'unité ou par les commandants d'escadron, de batterie ou de compagnie. L'officier de maintenance d'unité accompagne souvent le commandant d'unité pour lui donner les conseils techniques nécessaires.

65. Lorsqu'on ordonne que l'unité procède à des inspections techniques du matériel, il est important que l'officier de maintenance d'unité centralise ces inspections, habituellement à l'emplacement de la troupe ou du peloton de maintenance. De cette façon, les normes d'inspection sont uniformément respectées dans toutes les sous-unités, et le commandant obtient une meilleure évaluation de la qualité des inspections et des entretiens courants effectués dans son unité. Au terme des inspections périodiques, toutes les déficiences décelées sont corrigées avant que ne surgissent les pannes majeures.

66. L'équipement d'unité est également inspecté dans le cadre d'une inspection technique du matériel de la formation lorsque le commandant en donne l'ordre. Ces inspections sont organisées par le G4 Maintenance de la formation et vise à fournir au commandant de formation les renseignements suivants :

- a. l'état de l'équipement de l'unité;
- b. le nombre de modifications en souffrance; et
- c. l'évaluation du peloton ou de la troupe de maintenance d'unité.

67. En plus des inspections susmentionnées, les techniciens inspectent rapidement les pièces d'équipement chaque fois qu'elles ont besoin de maintenance.

## **MODIFICATIONS**

68. Les modifications visent à améliorer la sécurité et le rendement de l'équipement, à réduire les besoins de maintenance, à prévenir les pannes et à corriger les défauts ou les avaries qui surgissent après que l'équipement est en usage. Les modifications mineures, étant assez simples, sont fréquemment effectuées au niveau de la section de maintenance d'unité, alors que les modifications majeures le sont à des niveaux de maintenance plus élevés.

69. L'exécution des modifications dépend bien souvent de la situation tactique. On demande à l'officier de maintenance d'unité de veiller à ce que les modifications soient effectuées au cours des accalmies. Par contre, les équipes avancées de réparation peuvent toujours être appelées à effectuer des modifications urgentes.

## SECTION 6

### MAINTENANCE DES UNITÉS DE COMBAT, D'APPUI AU COMBAT ET DE SOUTIEN AU COMBAT

#### GÉNÉRALITÉS

70. La présente section décrit les organismes, le mode de fonctionnement et les services de soutien internes pour chacune des unités de combat, d'appui au combat et de soutien au combat. Elle met l'accent sur la façon dont l'organisme de maintenance soutient son unité d'appartenance et sur les activités spéciales qu'il entreprend. Voici les organismes de maintenance d'unité traités :

- a. le peloton de maintenance du bataillon d'infanterie;
- b. la troupe de maintenance du régiment blindé;
- c. la troupe de maintenance du régiment de cavalerie blindé;
- d. la troupe de maintenance du régiment d'artillerie;
- e. le peloton de maintenance du bataillon antiblindé;
- f. la troupe de maintenance du régiment du génie de campagne;
- g. la troupe de maintenance du régiment du commandement et des transmissions;
- h. la section de maintenance terrestre de l'escadron d'aviation tactique;
- j. la section ou le peloton de maintenance d'unité du bataillon des services;
- k. la section de maintenance des ambulances de campagne; et
- m. la section de maintenance de compagnie de la police militaire.

#### LE PELOTON DE MAINTENANCE DU BATAILLON D'INFANTERIE

71. L'organisation d'un bataillon d'infanterie est illustrée à la figure 4-4. Chaque bataillon comprend quatre compagnies d'infanterie identiques, une compagnie d'appui au combat (appui au cbt), regroupant un peloton de reconnaissance (reco), un peloton de mortiers (mor), un peloton antiblindé (ac), un peloton de pionniers (pnr) d'assaut et une compagnie d'administration. Cette dernière comprend des éléments de soutien au combat qui font partie du bataillon, dont le peloton de maintenance.

72. Le rôle de l'infanterie est de prendre contact avec l'ennemi et de l'anéantir. L'infanterie est la seule arme qui peut occuper et défendre un terrain. Généralement, un bataillon d'infanterie en défense est employé comme une entité complète dans une zone dont la largeur du front varie de 4

à 10 km. Un bataillon d'infanterie ne possède pas de blindés et doit compter sur l'appui des chars. Le commandant de formation constitue souvent des groupements tactiques en détachant un escadron blindé auprès du bataillon d'infanterie, tout comme un régiment blindé peut être renforcé d'un bataillon d'infanterie pour former un groupe de combat blindé. Souvent, des ressources antiblindées, d'artillerie, de génie, et de défense antiaérienne viennent renforcer le bataillon d'infanterie.

73. Dans un peloton de maintenance de bataillon d'infanterie, la plupart des techniciens sont des techniciens de véhicules. Ce sont eux qui composent les sections de réparation des véhicules chenillés et à roues ainsi que la section du dépannage. La section de réparation des accessoires comprend des techniciens d'armement, des techniciens de conduite de tir, des radaristes et des techniciens des matériaux. La section des pièces de rechange compte un, deux ou trois techniciens en approvisionnement et un commis.

74. Lorsque le peloton de maintenance fonctionne comme bataillon, son contrôle est habituellement centralisé. L'officier de maintenance d'unité dirige toutes les opérations de maintenance et s'assure que les ressources de maintenance sont placées là où on en a besoin. Si l'une des compagnies est détachée auprès d'une autre unité ou affectée à une autre tâche, l'officier de maintenance d'unité peut placer en sous-ordre une partie des ressources de maintenance, comme des équipes mobiles de réparation, de véhicules et d'armes. Ceci confère aux commandants de compagnie plus de souplesse et assure rapidement le soutien de la maintenance lorsque la compagnie a à manoeuvrer isolément du reste du bataillon.

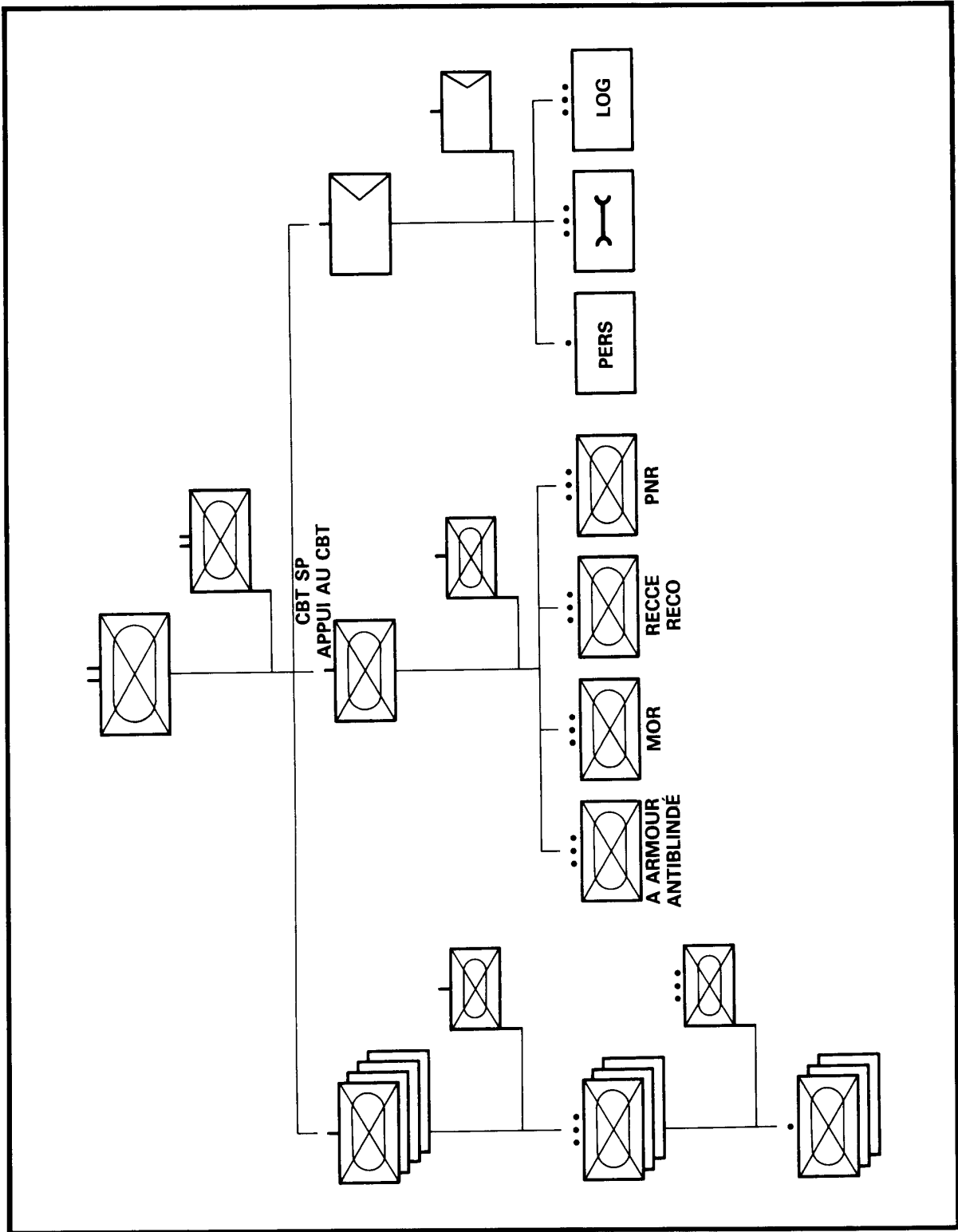


Figure 4-4 Un bataillon d'infanterie

## **LA TROUPE DE MAINTENANCE DU RÉGIMENT BLINDÉ**

75. Le rôle de l'unité de chars consiste à vaincre l'ennemi en se servant de sa puissance de feu offensive et en se montrant très mobile sur le champ de bataille.

76. Un régiment blindé est composé de quatre escadrons blindés identiques possédant chacun 19 chars, d'une troupe de reconnaissance et d'une compagnie d'administration comprenant une troupe de maintenance, une troupe de logistique, une troupe de transport, une troupe d'administration et une section responsable des rations. Chaque escadron est formé de quatre troupes de quatre chars et d'une troupe d'administration comprenant une section de transport, une section de quartier-maître et une section de maintenance. La figure 4-5 donne le schéma d'organisation d'un régiment blindé.

77. Un régiment blindé peut être employé comme une unité interne ou peut être renforcé d'escadrons de manière à former des groupements tactiques d'infanterie. Les blindés effectuent des manoeuvres d'une grande mobilité de nature surtout offensive, à l'aide de véhicules de combat blindés. Les forces blindées comprennent des unités de chars, des unités de cavalerie blindées et des unités de reconnaissance blindées.

78. Le contrôle de la troupe de maintenance d'un régiment blindé est décentralisé. Chaque escadron comprend une section de maintenance dotée d'un véhicule blindé de dépannage (VBD) et composée d'équipes mobiles de réparation (EMR), elles-mêmes formées de techniciens d'armement et de techniciens en systèmes de conduite de tir. L'effectif de la troupe de maintenance d'unité est beaucoup plus important que celui du peloton de maintenance d'un bataillon d'infanterie. En effet, il se compose d'environ 50 personnes, sans compter les techniciens du GEM des escadrons blindés. La troupe de maintenance d'unité compte plus de techniciens d'armement et de techniciens en systèmes de conduite de tir que le peloton de maintenance d'un bataillon d'infanterie, en raison de la complexité des systèmes d'armes des chars.

79. Un régiment blindé possède cinq véhicules blindés de dépannage (VBD), soit un VBD pour chaque section de maintenance d'escadron blindé et un autre pour la troupe de maintenance. Les VBD étant d'une importance capitale dans un régiment blindé, ils sont normalement conduits par les meilleurs techniciens de véhicules de l'unité. Normalement, le commandant des VBD commande également la section de maintenance de l'escadron blindé.

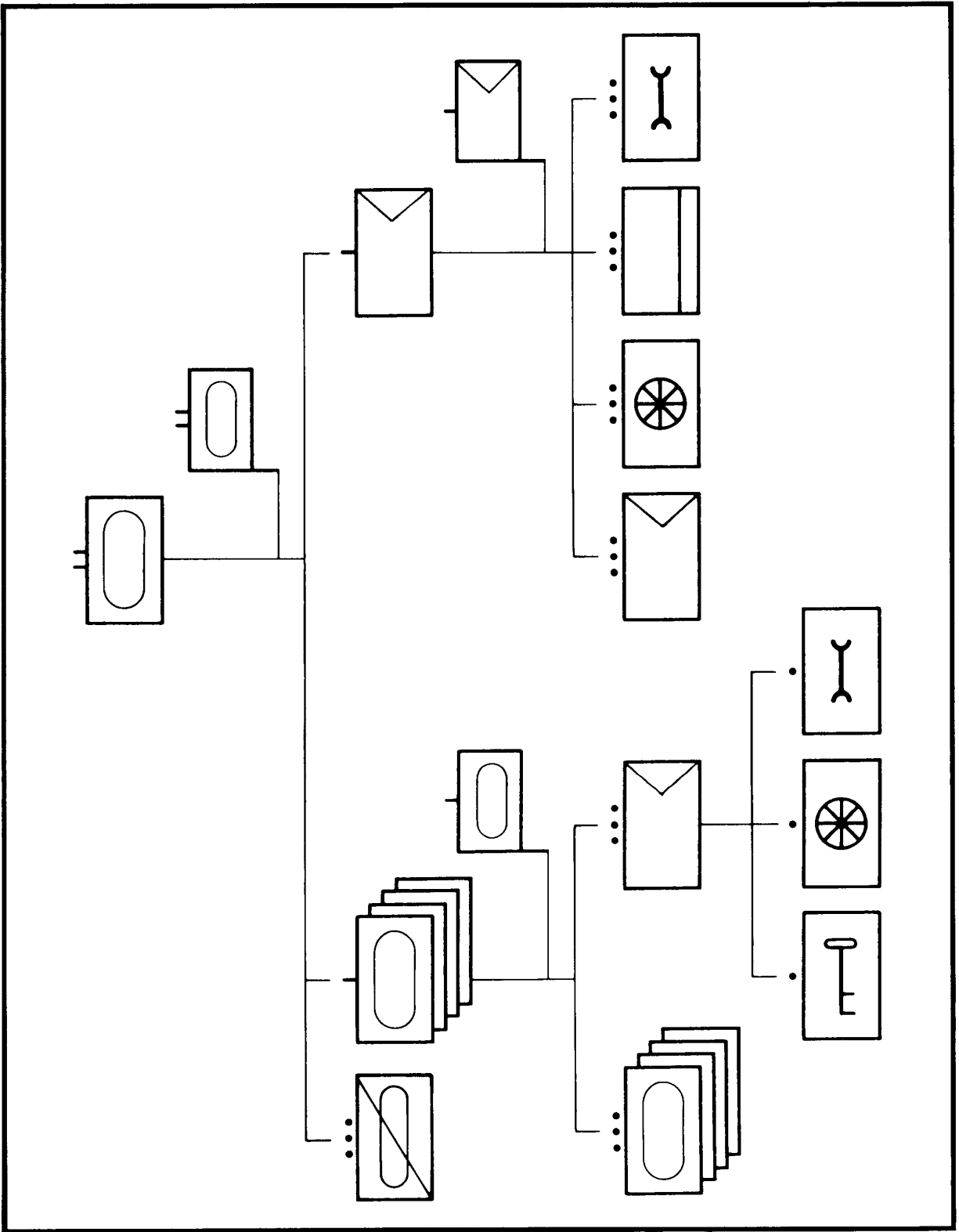


Figure 4-5 Un régiment blindé

## LA TROUPE DE MAINTENANCE DU RÉGIMENT DE RECONNAISSANCE BLINDÉ

80. Le régiment de reconnaissance blindé s'ajoute comme ressource divisionnaire aux divisions mécanisées et blindées. Son rôle consiste à obtenir et à transmettre à temps des renseignements sur l'ennemi et sur le terrain pour contribuer ainsi à assurer la sécurité sur le champ de bataille. Le régiment est composé de deux escadrons de cavalerie, d'un escadron blindé, d'un escadron de topographie et d'un escadron d'administration. Chaque escadron de reconnaissance comporte trois troupes de reconnaissance, une troupe de soutien, une troupe de mortiers et une troupe d'administration comprenant une section de maintenance. Cet escadron blindé est identique à celui d'un régiment blindé, et la troupe d'administration comprend une section de maintenance. L'escadron de topographie se compose de deux troupes de topographie et d'une section d'administration qui comprend également une petite section de maintenance. L'escadron d'administration est formé des troupes de maintenance, de logistique, de transport et d'administration. L'organisation d'un régiment de reconnaissance blindée est illustrée à la figure 4-6.

81. Le régiment de reconnaissance blindé est employé comme élément avancé de division, tant au cours d'opérations offensives que défensives. En général, le régiment de reconnaissance blindé est déployé le long du front de division qui peut avoir jusqu'à 20 km de largeur. Les escadrons de reconnaissance et l'escadron blindé manoeuvrent souvent en autonomie. C'est pourquoi ils possèdent certains éléments de soutien logistique. Dès que l'écran ou la protection a été établi(e) au cours d'opérations défensives, le régiment de reconnaissance blindé se replie en passant par les brigades avancées, puis la principale bataille défensive s'engage. Pendant cette étape, le régiment de reconnaissance blindé est replié à l'arrière de la zone divisionnaire et est affecté soit comme détachement de sécurité de zone arrière, soit comme flanc-garde.

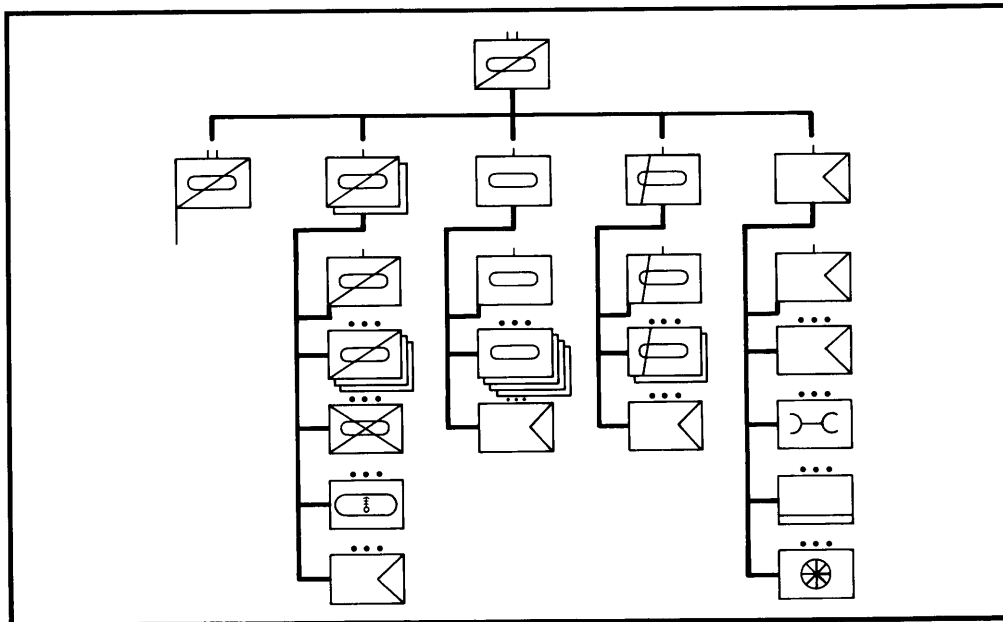


Figure 4-6 Un régiment de reconnaissance blindé



82. La troupe de maintenance du régiment de reconnaissance blindé est à peu près de même taille que le régiment blindé et fonctionne également sur le principe de la maintenance décentralisée. Chaque section de maintenance d'un escadron de reconnaissance est équipée d'un véhicule de dépannage de TTB et comprend des équipes mobiles de réparation (EMR), formées de techniciens d'armement et de techniciens en systèmes de conduite de tir. La troupe de maintenance possède moins de techniciens d'armement que la troupe de maintenance du régiment blindé, mais davantage de techniciens en systèmes de conduite de tir et de radaristes. Elle possède également un VBD et des véhicules de dépannage à roues. Étant donné que le régiment effectue des manoeuvres dispersées et que, par manque de temps, on ne peut envoyer des véhicules de dépannage au cours des manoeuvres d'écran et de protection, on se dote de meilleurs moyens de dépannage en équipant de barres de remorquage chacun des véhicules et des chars de reconnaissance.

### **LA TROUPE DE MAINTENANCE DU RÉGIMENT D'ARTILLERIE**

83. L'artillerie fournit les principaux systèmes de tir indirect des forces terrestres. Elle produit un tir offensif et défensif pour neutraliser ou détruire des objectifs qui intéressent tout spécialement d'autres armes. Les unités d'artillerie sont équipées de canons, d'obusiers, de roquettes ou de missiles guidés. Les forces d'artillerie se composent de l'artillerie de campagne et de l'artillerie de défense antiaérienne.

84. L'artillerie de campagne a pour rôle de contribuer à la défaite de l'ennemi par un tir indirect, tandis que l'artillerie de défense antiaérienne doit éviter que la force aérienne ennemie ne vienne nuire aux opérations terrestres.

85. La brigade d'artillerie de division fournit l'appui-feu indirect à la division. Il y a trois régiments d'appui rapproché (AR) moyens, un régiment d'appui général lourd, un régiment de défense antiaérienne mixte et un régiment de lance-roquettes multitubes. On ne donne, à la figure 4-7, que l'organisation du régiment d'appui rapproché moyen. Bien que chaque type de régiment possède une organisation qui lui est propre, on peut regrouper les organismes de maintenance, étant donné qu'il y a suffisamment de similitudes entre eux.

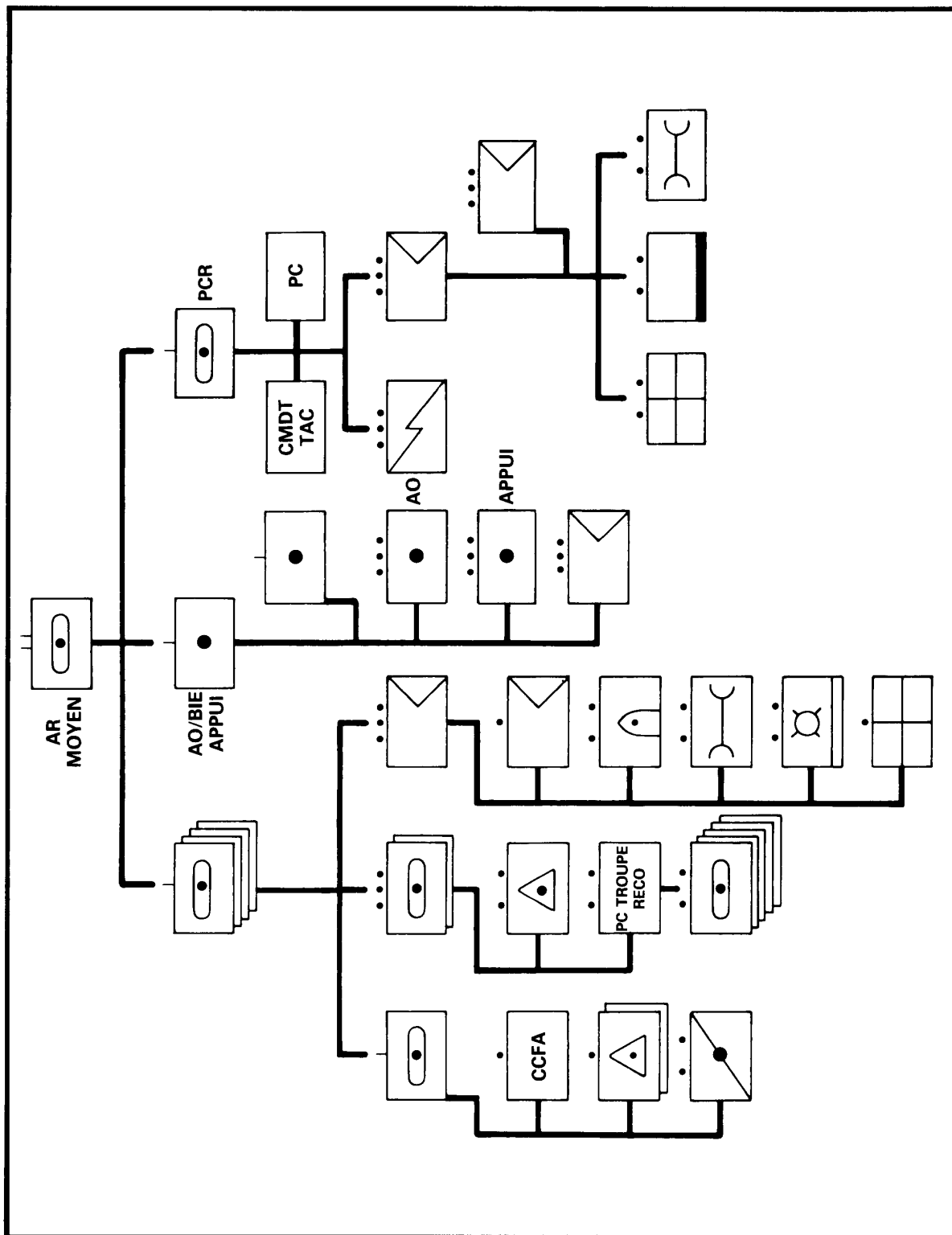


Figure 4-7 Un régiment d'appui rapproché moyen

86. L'organisation du régiment d'appui rapproché (AR) moyen est illustré à la figure 4-7. Il est composé de quatre batteries de dix canons, - dont chacune possède un détachement de maintenance dans sa troupe de soutien -, et d'un poste de commandement régimentaire (PCR), dont la troupe d'administration comprend une section de maintenance.

87. Un régiment d'appui général lourd comprend trois batteries de quatre canons de gros calibre, normalement de 203 mm ou plus. Un régiment de défense antiaérienne composé possède deux batteries d'engins sol-air de basse altitude et deux batteries de canons de basse altitude. Dans un régiment de lance-roquettes multitubes, il y a trois batteries de dix lance-roquettes multitubes.

88. Tous les régiments de la brigade d'artillerie fonctionnent de la même façon. Bien que le poste de commandement régimentaire coordonne le feu, les batteries peuvent être affectées à différentes tâches et peuvent se déplacer de façon indépendante. On a tendance à disperser les ressources de défense antiaérienne à l'étendue de la zone de façon à créer une couverture de défense antiaérienne. Chaque batterie, qu'il s'agisse de l'artillerie de campagne ou de la défense antiaérienne, possède son propre détachement de maintenance qui fournit un soutien immédiat.

89. Comme il a déjà été mentionné, les régiments d'artillerie de campagne et de défense antiaérienne fonctionnent selon un système de maintenance décentralisé. Ces unités comptent des techniciens de véhicules, des techniciens d'armement et des techniciens en systèmes de conduite de tir dans chaque batterie. L'officier de maintenance d'unité est appelé capitaine-adjutant technique (capt adj tech) et commande souvent les sections de maintenance et de transport. Les sections de maintenance d'unité sont relativement petites. Leurs effectifs s'élèvent à environ 30 techniciens et regroupent la plus forte proportion de techniciens en systèmes de conduite de tir et de techniciens d'armement. Les techniciens de véhicules sont souvent spécialisés dans la maintenance des systèmes d'armes d'artillerie ou de défense antiaérienne.

### **LE PELOTON DE MAINTENANCE DU RÉGIMENT ANTIBLINDÉ**

90. Dans une division, il y a un bataillon antiblindé organisé comme il est montré à la figure 4-8. Ce bataillon possède trois compagnies de 24 armes antichars de longue portée (AACLP) ainsi qu'une compagnie d'administration comprenant un peloton de maintenance.

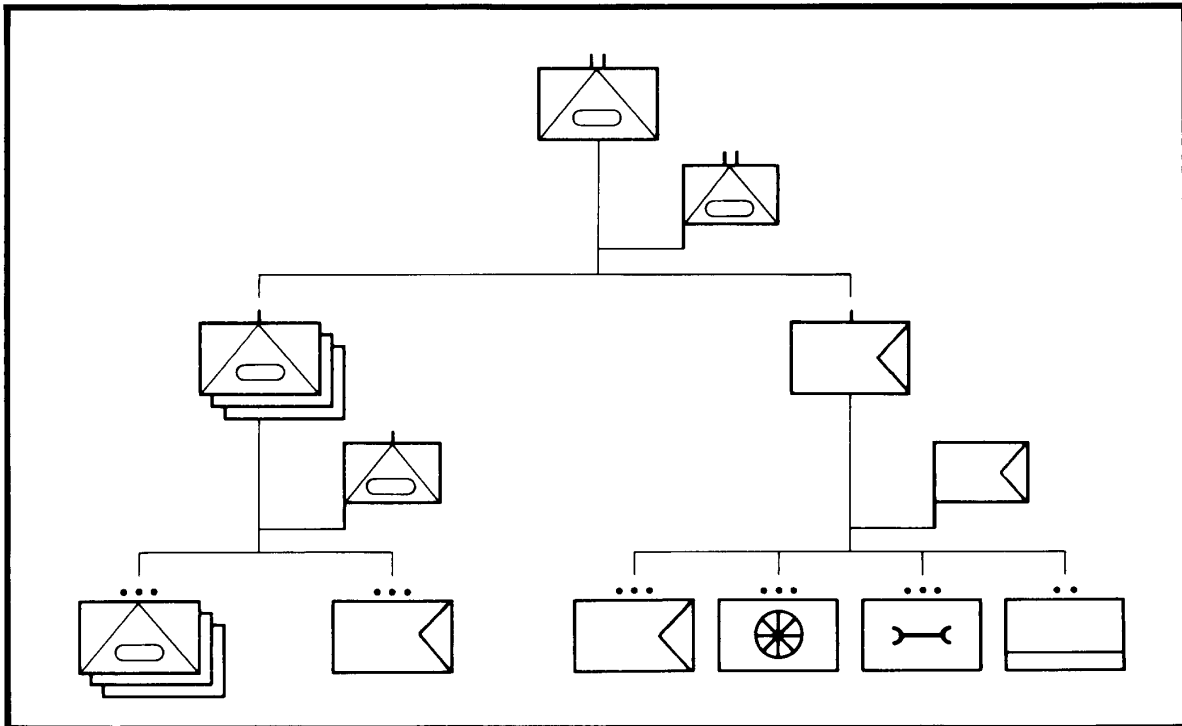


Figure 4-8 Un bataillon antiblindé

91. Le bataillon antiblindé est une unité d'infanterie employée dans un rôle antiblindé. Les compagnies antiblindées sont souvent détachées auprès de brigades avancées et peuvent être subdivisées en pelotons ou en sections de deux ou de quatre détachements antiblindés. Ces détachements sont mobiles et capables de détruire les blindés ennemis à des distances pouvant atteindre 3 500 mètres. On les déploie très à l'avant et le long des flancs afin de battre les objectifs le plus en avant possible. Habituellement, ils disposent d'un certain nombre de positions préparées de tir.

92. Le peloton de maintenance d'un bataillon antiblindé dispose d'un petit effectif d'environ vingt personnes, dont la majorité sont des techniciens de véhicules et des techniciens en systèmes de conduite de tir. Lorsqu'une compagnie est détachée, on y affecte normalement des équipes mobiles de réparation (EMR), comprenant des techniciens de véhicules et des techniciens en systèmes de conduite de tir. Le peloton de maintenance compte également un technicien d'armement ou plus, un technicien des matériaux, un commis aux approvisionnements et un commis préposé à l'administration.

### LA TROUPE DE MAINTENANCE DU GÉNIE DE CAMPAGNE

93. Le groupe du génie divisionnaire comprend deux régiments du génie de campagne, un régiment de soutien du génie et deux escadrons blindés du génie. Le rôle des sapeurs dans une division consiste à aider les troupes amies à vivre, à se déplacer, à combattre et à empêcher l'ennemi d'exercer ces mêmes fonctions. Le génie joue également le rôle secondaire d'infanterie en défense lorsqu'il y a urgence. Les régiments du génie de campagne exécutent les fonctions

traditionnelles des sapeurs : la pose de mines et le déminage, l'installation et le dégagement d'obstacles ainsi que le contrôle de la plupart des destructions. L'organisation d'un régiment du génie de campagne est donnée à la figure 4-9.

94. Chaque régiment du génie de campagne comprend, outre l'escadron d'administration avec sa troupe de maintenance, trois escadrons du génie de campagne, escadrons composés de trois troupes de campagne.

95. Le matériel du génie est hautement spécialisé : véhicules polyvalents du génie (VPG), transports de troupes blindés (TTB), chars poseurs de pont (CPP), véhicules blindés du génie (VBG), etc. Normalement, cet équipement doit se trouver en zone très avancée au cours d'opérations tant offensives que défensives.

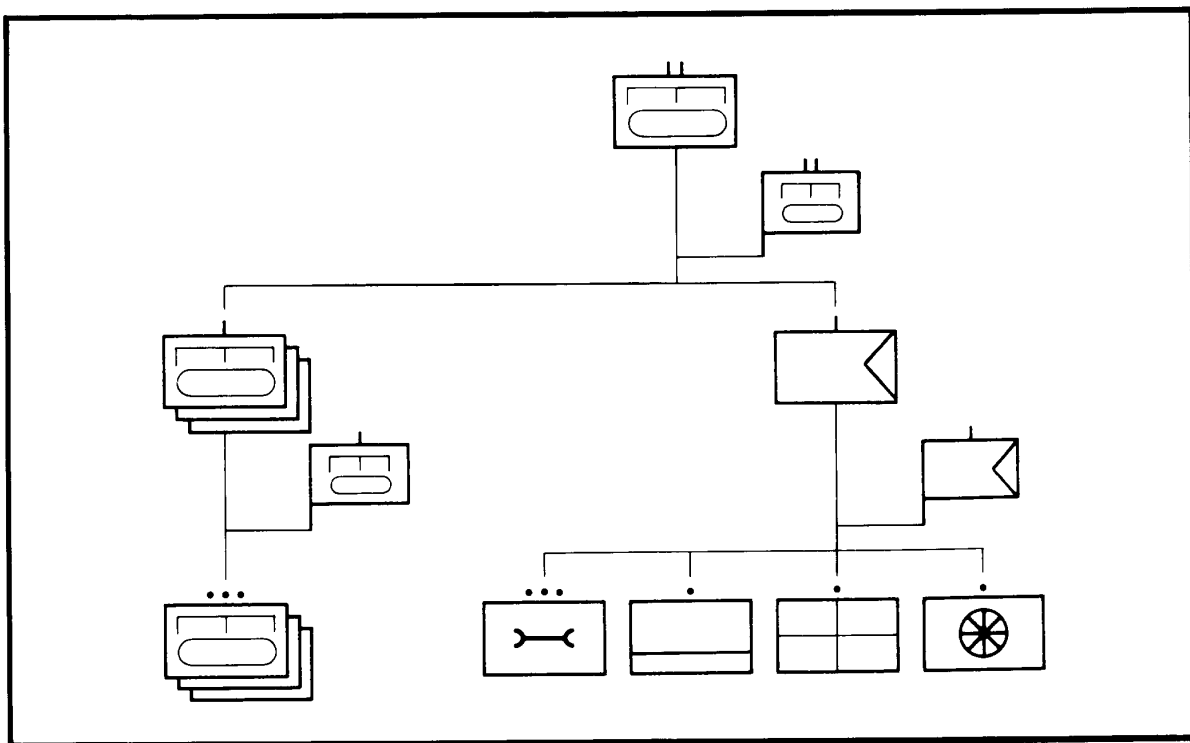


Figure 4-9 Un régiment du génie de campagne

96. L'officier de maintenance d'unité commande une troupe d'importance moyenne. L'effectif technique est formé surtout de techniciens de véhicules, techniciens qui ont suivi une formation spéciale en maintenance d'équipements du génie. L'unité fonctionne selon un système de maintenance centralisé, mais affectera une EMR de véhicules à l'escadron de campagne en détachement. Dans les cas où sont affectées des ressources de maintenance d'équipement lourd à des régiments du génie de campagne, elles sont intégrées aux équipes mobiles de réparation du régiment de soutien du génie de la division. La troupe de maintenance ne comprend que peu de techniciens d'armement et de techniciens en systèmes de conduite de tir; elle peut compter en outre sur au moins un technicien des matériaux.

## LA TROUPE DE MAINTENANCE DU RÉGIMENT DU COMMANDEMENT ET DES TRANSMISSIONS

97. Le régiment du commandement et des transmissions de division donne aux commandants et à leur état-major les moyens d'exercer le commandement et le contrôle; il leur permet d'empêcher l'ennemi d'utiliser le spectre électromagnétique, voire d'en tirer parti par le recours à des mesures de guerre électronique. Il est organisé comme le montre la figure 4-10.

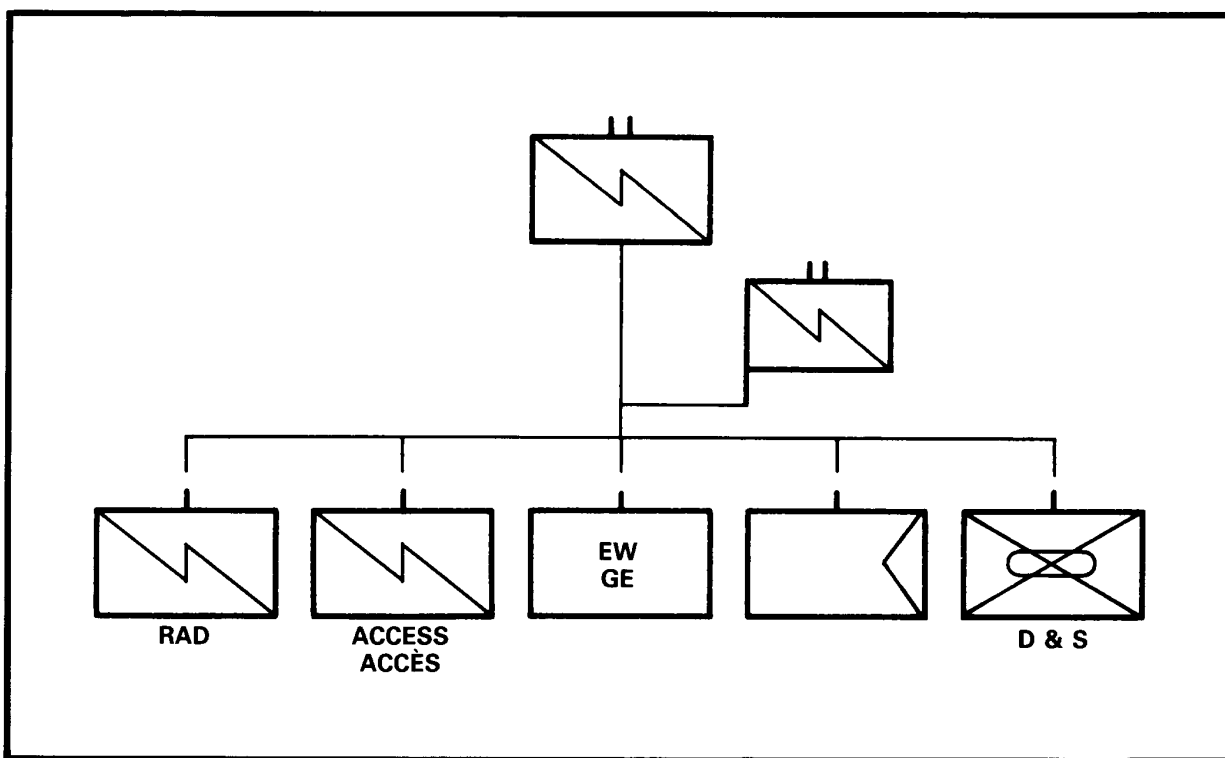


Figure 4-10 Un régiment du commandement et des transmissions

98. Le régiment du commandement et des transmissions de division est normalement chargé d'établir un quartier général principal et un QG de relève de division. L'escadron de guerre électronique (GE) est habituellement déployé à l'étendue de la division.

99. Dans l'escadron d'administration, on trouve une troupe de maintenance de véhicules et une troupe de maintenance de l'équipement de communications. La troupe de maintenance de véhicules est relativement petite et comprend surtout des techniciens de véhicules. Elle est composée de quelques techniciens d'armement, de systèmes de contrôle de tir et des matériaux. Elle comporte également une section de pièces de rechange, laquelle dessert aussi la troupe de maintenance de l'équipement de communications, d'habitude.

100. La troupe de maintenance de l'équipement de communications est chargée des réparations de premier échelon de tout l'équipement de communications du régiment et des réparations de deuxième échelon de tout l'équipement de guerre électronique et de communication protégée de la division. Elle est commandée par un officier du génie électronique et des communications (GECOM).

### **LA SECTION DE MAINTENANCE TERRESTRE DE L'ESCADRON D'AVIATION TACTIQUE**

101. Dans l'escadre aérienne tactique de division, il y a quatre escadrons d'hélicoptères légers d'observation (HLO), un escadron d'hélicoptères utilitaires de transport tactique (HUTT), un escadron d'attaque et un escadron de maintenance aérienne. Chaque escadron d'hélicoptères est organisé de la même façon : deux troupes d'hélicoptères, une troupe de soutien logistique et une troupe des services. L'organisation d'un escadron d'observation est donnée à la figure 4-11.

102. La section de maintenance terrestre d'un escadron d'HLO (et de tous les autres escadrons d'aviation tactique) fait partie de la troupe de soutien logistique. Cette section est très petite. En effet, elle comprend environ 10 personnes sous les ordres d'un adjudant ou d'un sergent technicien de véhicules. La section est composée surtout de techniciens de véhicules et peut comprendre un technicien d'armement (Terre). Elle fonctionne selon un système de maintenance décentralisé.

## **LA SECTION OU LE PELOTON DE MAINTENANCE D'UNITÉ DU BATAILLON DES SERVICES**

103. Chacun des bataillons des services du GSD possède une petite section de maintenance rattachée au peloton d'administration. Cette section est chargée de la maintenance de premier échelon de l'équipement du bataillon des services et fonctionne selon un système de maintenance centralisé. La figure 4-12 montre l'organisation d'un bataillon des services du GSD. Il est à noter que la compagnie de maintenance fournit des services de maintenance de deuxième échelon à la brigade. Il en est question au chapitre 5.



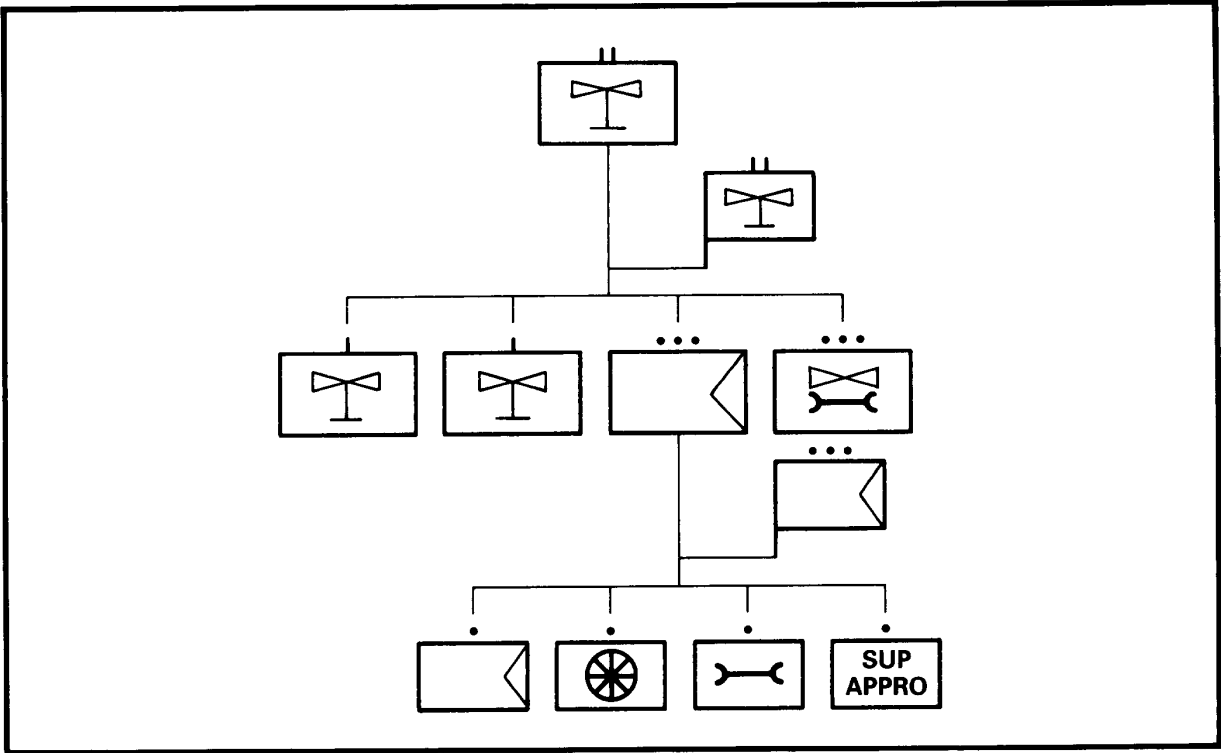


Figure 4-11 Un escadron d'observation

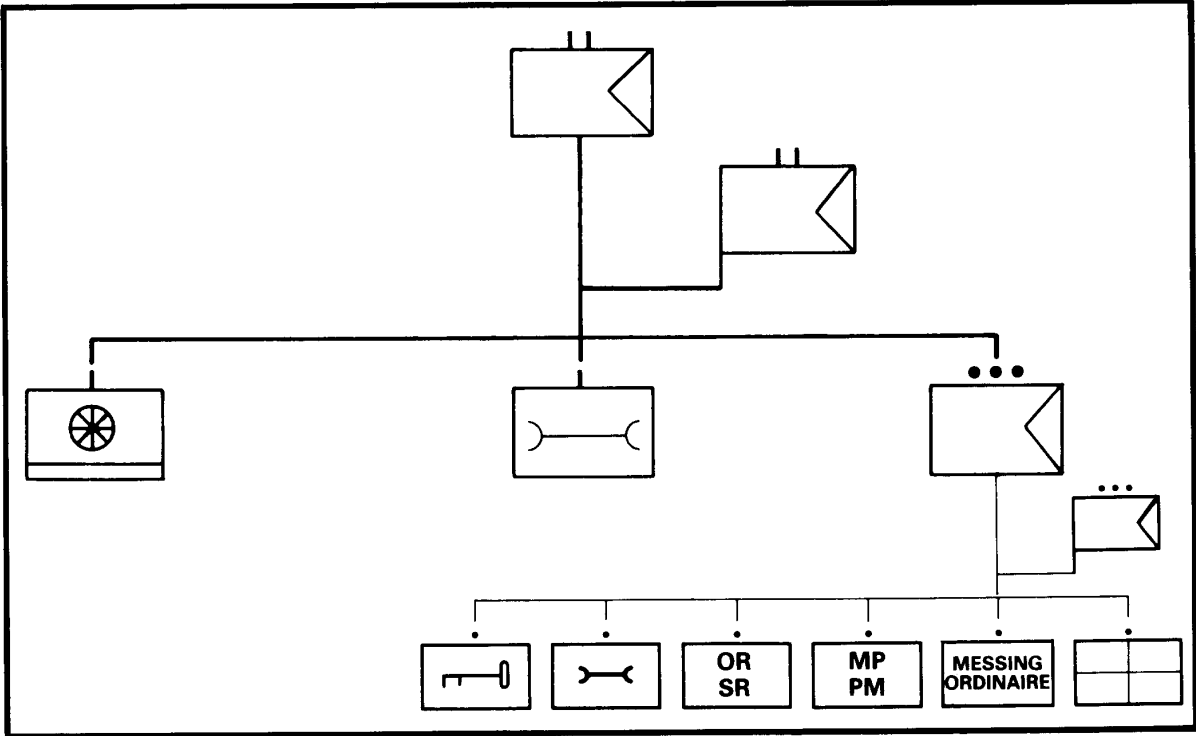


Figure 4-12 Un bataillon des services du GSD

104. Les ressources de l'artillerie, du génie, de la défense antiaérienne, de la police militaire, de l'aviation tactique, des services sanitaires et du soutien au combat font partie intégrante du groupe-brigade indépendant. L'effectif du bataillon des services du groupe-brigade est plus important que celui du bataillon des services du GSD car il doit desservir un plus grand nombre d'unités. Le bataillon des services du groupe-brigade indépendant reçoit son soutien de premier échelon de sa compagnie d'administration, dont le peloton de maintenance, composé essentiellement de techniciens de véhicules, comprend également quelques techniciens d'armement, en système de conduite du tir et des matériaux. Les services qu'il offre sont centralisés. La figure 4-13 montre l'organisation d'un bataillon des services du groupe-brigade. Il est à noter, encore une fois, que la compagnie de maintenance fournit un soutien de deuxième échelon au groupe-brigade indépendant. Il en est question au chapitre 5.

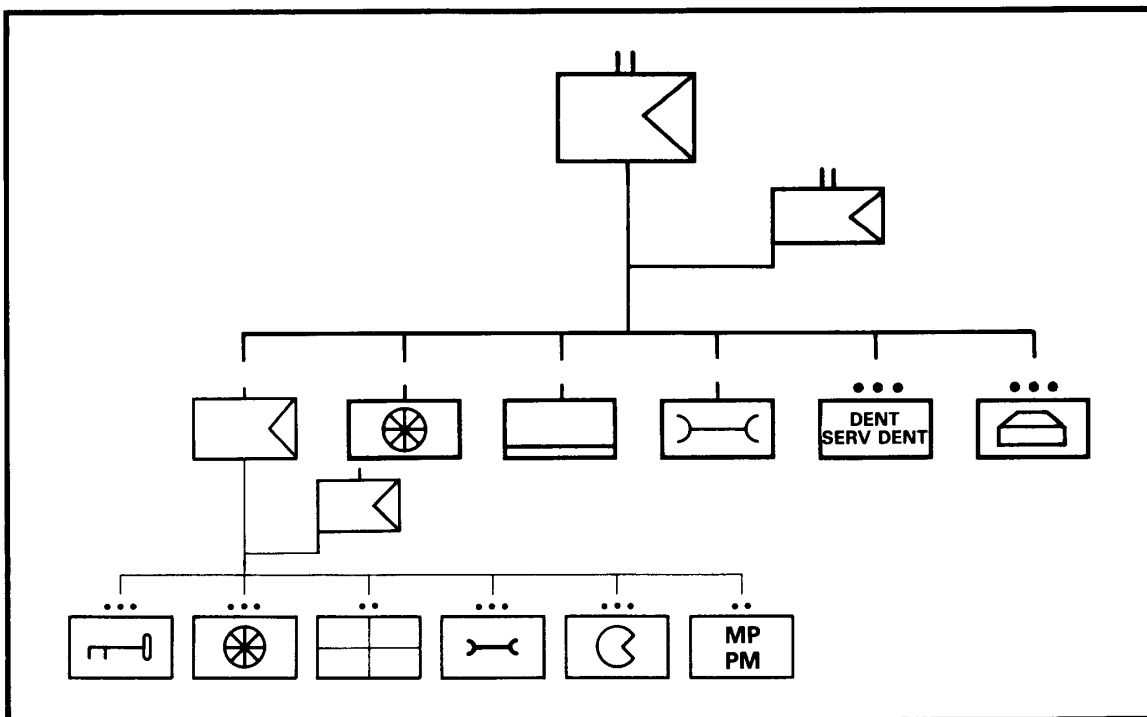


Figure 4-13 Un bataillon des services du groupe-brigade

### LA SECTION DE MAINTENANCE DE L'AMBULANCE DE CAMPAGNE

105. Le groupe sanitaire divisionnaire (Gp san div) comprend un escadron de commandement et de transmissions, trois ambulances de campagne (ambC) et une compagnie sanitaire de campagne. Les ambulances de campagne sont habituellement affectées au soutien des brigades, alors que la compagnie sanitaire de campagne s'occupe du soutien des troupes divisionnaires. Chaque Ambulance de campagne possède une compagnie d'évacuation (évac), une compagnie des soins et une compagnie des services. La compagnie des services est formée d'un peloton de logistique et d'un peloton de maintenance. Elle fournit les éléments de services alimentaires, d'approvisionnement, de transport et de maintenance de premier échelon de l'unité. La figure 4-14 montre l'organisation d'une Ambulance de campagne.

106. L'Ambulance de campagne est déployée dans la zone de brigade. Certains éléments de la compagnie d'évacuation se retrouvent en zone avancée, probablement dans les zones de bataillon ou de groupe-brigade, afin d'évacuer rapidement les morts et les blessés. Un certain nombre de postes d'évacuation sont établis en zones très avancées, et les ambulances du peloton font la navette entre le front et des installations médicales situées plus à l'arrière où les blessés reçoivent des soins médicaux d'urgence avant d'être évacués à l'hôpital de campagne de soutien ou retournés à leur poste.

107. La section de maintenance, qui n'est pas grosse, est formée presque exclusivement de techniciens de véhicules. Bien que ses services soient centralisés, la section peut envoyer des techniciens à l'avant jusqu'aux postes d'ambulance afin d'assurer la maintenance des véhicules sanitaires au premier échelon.

## **LA SECTION DE MAINTENANCE DE COMPAGNIE DE LA POLICE MILITAIRE (PM)**

108. Une compagnie de police militaire divisionnaire comprend quatre pelotons de police militaire, un peloton de commandement et administration et une section des enquêtes. Normalement, un peloton de police militaire est détaché auprès de chaque brigade. Le peloton du commandement et de l'administration comprend une petite section chargée d'assurer la maintenance de premier échelon des véhicules. À la figure 4-15, on montre l'organisation d'une compagnie de la police militaire divisionnaire.

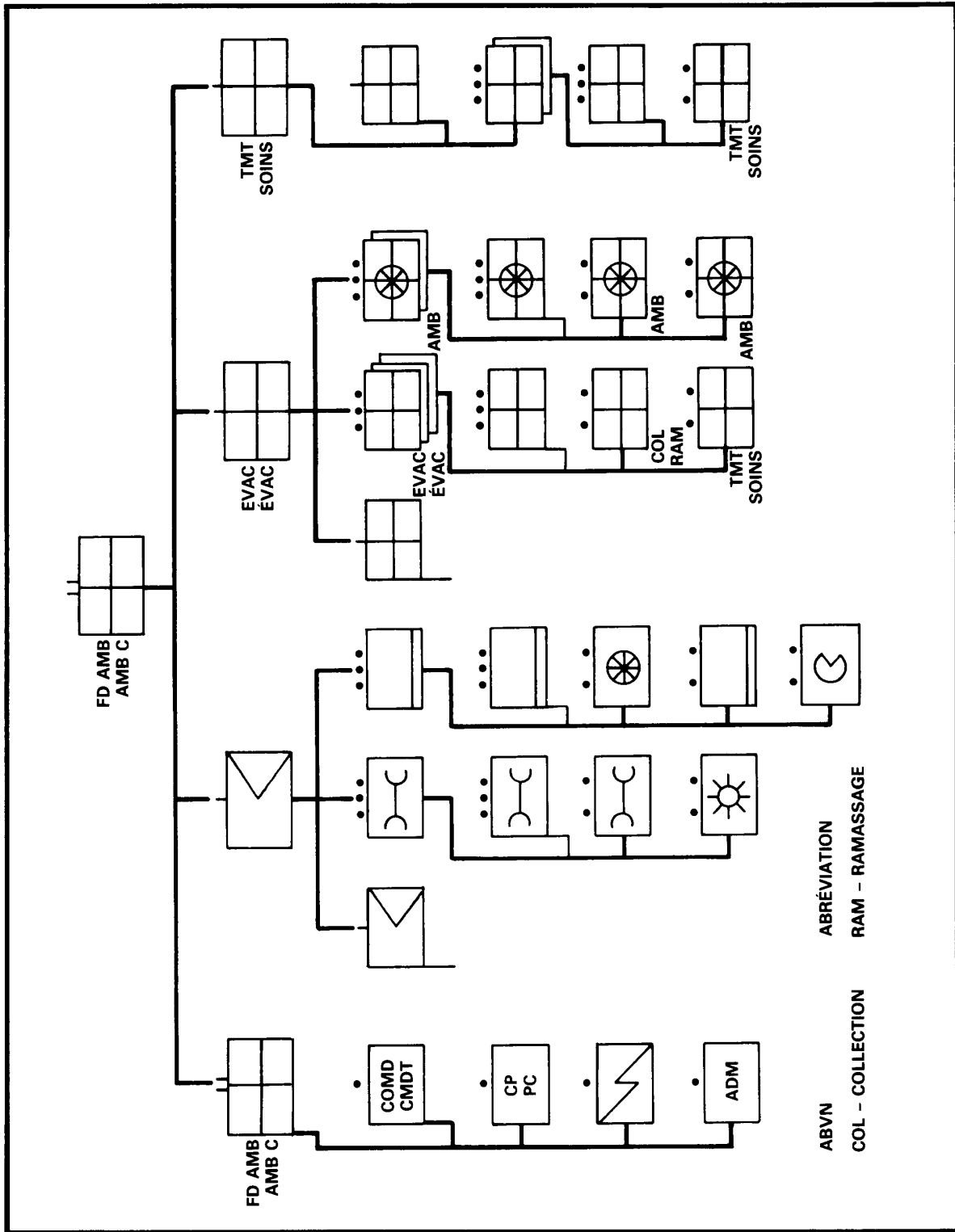


Figure 4-14 Ambulance de campagne

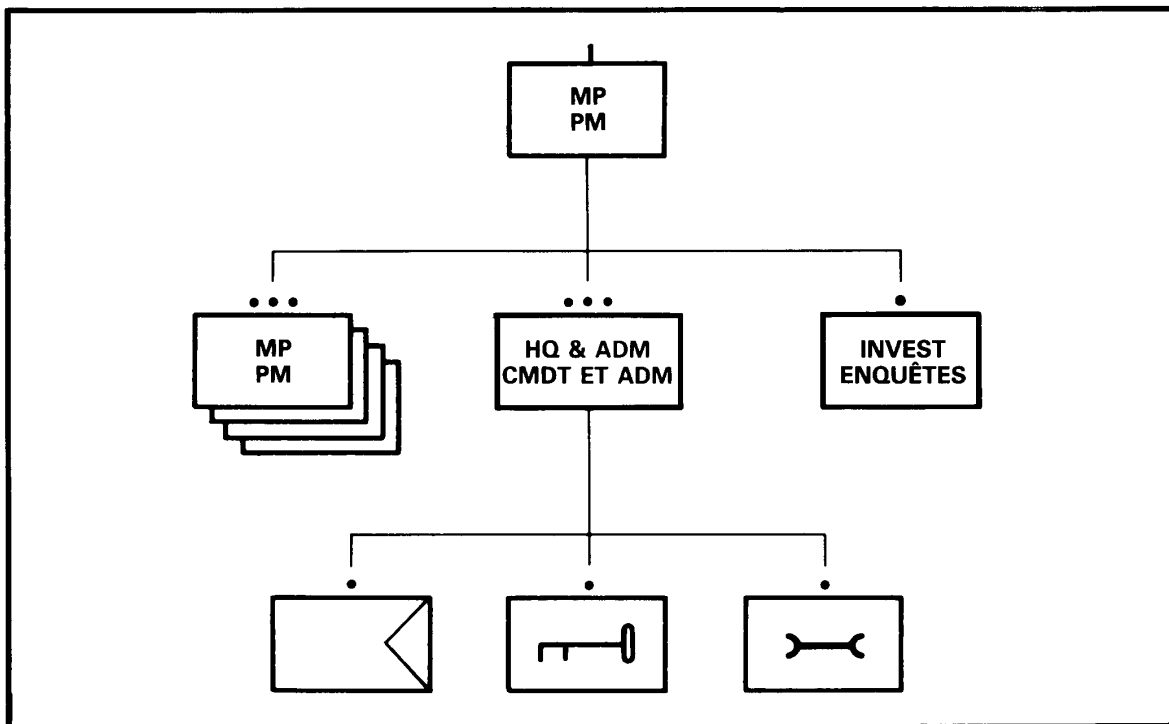


Figure 4-15 Une compagnie de la police militaire

109. La section de maintenance offre des services centralisés aux sous-unités de la police militaire dans la zone du quartier général divisionnaire. Les pelotons de la police militaire rattachés aux brigades veillent normalement à ce que la maintenance des véhicules soit effectuée par la section de maintenance des véhicules de l'escadron du commandement et des transmissions de la brigade ou par le bataillon des services du GSD.

### LA MAINTENANCE DU GROUPEMENT TACTIQUE

110. Une fois mis sur pied, les détachements de réparation des sous-unités relèvent du commandant du groupe-brigade. Les officiers de maintenance continuent cependant à exercer le contrôle technique sur la maintenance courante effectuée dans leurs sous-unités respectives, et ce, par l'entremise de leur commandant de section de réparation qui dirige les détachements. Pour ce qui est des questions de maintenance controversées ou importantes, les officiers de maintenance traitent directement avec le commandant du groupement tactique.

111. Bien qu'il arrive que deux sections de maintenance, soutenant des éléments différents dans un groupement tactique, soient co-implantées pour les besoins des mouvements ou de l'administration, elles n'en demeurent pas moins sous le commandement de leurs sous-unités respectives.

112. Tous sont conscients de l'importance des filières et des processus de contrôle technique. En effet, le contrôle technique est nécessaire pour que les ressources de maintenance du groupement tactique soient utilisées au maximum. On devrait suivre ces filières le plus possible lorsqu'on traite de toute question de maintenance.

## **CHAPITRE 5**

### **SOUTIEN DU GÉNIE ÉLECTRIQUE ET MÉCANIQUE (GEM) DE DEUXIÈME ÉCHELON**

#### **SECTION 1**

#### **GÉNÉRALITÉS**

#### **INTRODUCTION**

1. Le soutien du Génie électrique et mécanique (GEM) de deuxième échelon est le niveau de maintenance immédiatement au-dessus du soutien assuré par l'unité. Il est concentré au niveau de la division et du groupe-brigade. Dans une division, ce soutien de deuxième échelon est assuré par les compagnies de maintenance des bataillons des services du Groupe des services divisionnaires (GSD) et le bataillon de maintenance du GSD.
2. Les blindés, la cavalerie et les groupes-brigades sont les seules formations de combat au niveau de la brigade à disposer d'organismes de soutien au combat de deuxième échelon internes, car elles comprennent un bataillon des services.

#### **RESPONSABILITÉS DES ORGANISMES DU GEM DE DEUXIÈME ÉCHELON**

3. Voici les responsabilités des organismes du GEM de deuxième échelon :
  - a. fournir les services de maintenance de niveau deux et un nombre restreint de services de niveau trois aux unités et formations qu'ils desservent;
  - b. fournir les services de maintenance de niveau un aux unités soutenues qui ne possèdent pas de ressources du GEM de premier échelon; et
  - c. prêter main forte aux organismes du GEM de premier échelon sur demande.
4. Lorsque la charge de maintenance de premier niveau dépasse les capacités de l'organisme de maintenance de l'unité, l'organisme de soutien de deuxième échelon doit lui prêter main forte, en détachant des équipes de réparation auprès du peloton ou de la troupe de maintenance de l'unité pour que le plus grand nombre possible de pièces d'équipement soit remis en état pour le combat.

#### **FACTEURS D'ORGANISATION**

5. Voici les éléments qui influent sur l'organisation d'un organisme du GEM de deuxième échelon :
  - a. la quantité et le type d'équipement à maintenir;

- b. le concept d'opération de la formation soutenue; et
- c. le temps et l'espace.

6. La structure du GEM, dont il a été question à la section 2 du chapitre 3, correspond à l'organigramme type de tout organisme du GEM. Bien que ce soit ce modèle d'organisation qui s'applique généralement aux compagnies et aux bataillons de maintenance de deuxième échelon, il peut être modifié pour tenir compte du soutien nécessaire. Le nombre de chaque classe de techniciens dépend des types et du nombre d'équipements que possède la formation. Par exemple, une division blindée possède davantage de techniciens de véhicules, de techniciens en systèmes de conduite du tir, de techniciens d'armement et de techniciens des matériaux qu'une division mécanisée, puisqu'elle possède plus de chars. De même, les organismes du GEM de deuxième échelon soutenant les troupes du corps d'armée, telle la division d'artillerie, sont organisés de manière à pouvoir assurer la maintenance de l'équipement visé.

7. Les organismes du GEM de deuxième échelon disposent de la même mobilité que les formations soutenues. Chaque compagnie de maintenance du bataillon des services de brigade est organisée de manière à pouvoir effectuer la réparation dans les zones d'unité avancées. Pour sa part, le bataillon de maintenance du GSD est organisé de façon à soutenir les troupes divisionnaires et à fournir les services de réparation en zone avancée aux brigades, au besoin. Ces organismes sont expliqués plus en détail aux sections 2 et 4.

8. Le temps et l'espace constituent le troisième élément qui influe sur l'organisation d'un organisme du GEM de deuxième échelon. Une compagnie ou un bataillon du GEM peut se réorganiser pour tenir compte du temps et de l'espace à sa disposition. Par exemple, lorsque les organismes de soutien logistique sont loin derrière les unités avancées et que le transport à destination et en provenance de la zone avancée soulève un problème, il faut réorganiser le bataillon ou la compagnie du GEM. Le commandant des opérations peut décider d'envoyer à l'avant un groupe logistique avancé (GLA) qui apportera son soutien opportun. L'organisme du GEM de deuxième échelon se réorganise de manière à fournir un élément gros comme une section ou un peloton, élément qui puisse faire partie du GLA et apporter le soutien nécessaire à partir de la zone avancée.

9. Les organismes du GEM de deuxième échelon sont souples. Ils peuvent facilement être réorganisés pour répondre à la situation opérationnelle. La compagnie ou le bataillon est mobile et transporte tout son équipement dans les véhicules dont il dispose. L'officier du GEM en chef regroupe ses ressources au besoin afin de fournir les meilleurs services du GEM possibles aux unités et aux formations soutenues.

## **MODE DE FONCTIONNEMENT**

10. Le mode de fonctionnement de la compagnie de maintenance de bataillon des services du GSD, de la compagnie de maintenance de bataillon des services de groupe-brigade et du bataillon de maintenance du GSD est traité en détail dans les sections qui suivent. Toutefois, en général, chacun de ces organismes soutient des unités et des formations affiliées et leur fournit notamment des services de réparation et de dépannage en zone avancée.



11. Comme il est souhaitable d'établir l'affiliation entre le personnel du GEM et l'organisme soutenu au sein de chaque organisme du GEM de deuxième échelon, les bataillons des services du GSD sont joints aux brigades avancées. Le commandant divisionnaire peut modifier cette affiliation n'importe quand, mais au cours d'opérations normales, il la maintiendra en raison de la cohésion qu'elle procure.

12. Les compagnies et les bataillons de maintenance d'un bataillon des services du groupe-brigade ou de la division doivent être prêts à fournir des services de deuxième échelon en zone très avancée, au besoin. Lorsque faire se peut, les techniciens seront envoyés le plus à l'avant possible pour y effectuer les réparations et le dépannage; ainsi l'équipement sera retourné au combat le plus vite possible. Les commandants de compagnie et de bataillon du GEM ont à évaluer chacune des opérations pour déterminer chaque fois la meilleure façon d'assurer le soutien de maintenance.

13. Les organismes du GEM de deuxième échelon sont chargés d'établir les points de rassemblement de l'équipement (PRE), d'y affecter le personnel nécessaire, de surveiller l'équipement dans les PRE et d'envoyer l'équipement à l'arrière.

## SECTION 2

### LE BATAILLON DES SERVICES DU GROUPE DES SERVICES DIVISIONNAIRES (GSD)

#### INTRODUCTION

14. Les bataillons des services du Groupe des services divisionnaires (GSD) fournissent les services de soutien au combat de deuxième échelon nécessaires au soutien immédiat de la division, à l'exception cependant des services sanitaires et de la police militaire. Chacun des trois bataillons des services du GSD est organisé de manière à pouvoir répondre rapidement aux demandes de soutien logistique sur le champ de bataille où les combats font rage. Les opérations d'un bataillon des services du GSD sont détaillées au chapitre 5 du document B-GL-312-002/FP-001 intitulé, Les services de soutien au combat, Vol. 2, Le groupe des services divisionnaires au combat.

15. Le bataillon des services du GSD comprend un quartier général, deux petites compagnies et un peloton d'administration. Le quartier général comprend le centre des opérations et de planification appelé le centre des opérations logistiques (Ops log). Les deux compagnies sont celle des approvisionnements et du transport (appro & trsp) et celle de la maintenance. Le peloton d'administration fournit les éléments chargés d'assurer le soutien de premier échelon du bataillon des services du GSD. La section de maintenance du peloton d'administration est traitée au chapitre 4.

#### ORGANISATION

16. La compagnie de maintenance d'un bataillon des services du GSD est formée d'un quartier général, de deux pelotons de réparation mobiles d'équipements lourds, de deux pelotons mobiles de réparation d'équipements moyens, d'un peloton de réparation d'armes et d'accessoires et d'un peloton de pièces de rechange. La figure 5-1 montre cette organisation.

17. **Le poste de commandement.** Le poste de commandement de compagnie comprend l'élément du commandement, la section d'administration technique et une petite section d'administration d'unité. L'élément du commandement se compose du commandant (Offr Cmt), du sergent-major de compagnie (CSMC), le commandant adjoint (Cmt A), ainsi que du SMTE. Les sections d'administration tiennent les dossiers sur toutes les activités de la maintenance et s'occupent de l'administration personnelle des membres de la compagnie.

18. **Les pelotons mobiles de réparation d'équipements lourds.** Ces pelotons réparent les chars et les véhicules blindés légers (VBL) en zone avancée. Ils comprennent des équipes mobiles de réparation (EMR) de chars et des EMR de VBL. Les EMR sont équipées d'appareils de levage d'équipement lourd et de tout l'outillage qu'il faut pour changer les gros composants.

19. **Les pelotons mobiles de réparation d'équipements moyens.** Ces pelotons se spécialisent dans les réparations des blindés ou des chenillés moyens de la division et des véhicules à roues hautement prioritaires. Ils se répartissent en sections spécialisées dans les transports de troupes blindés, les véhicules de reconnaissance et les véhicules à roues.

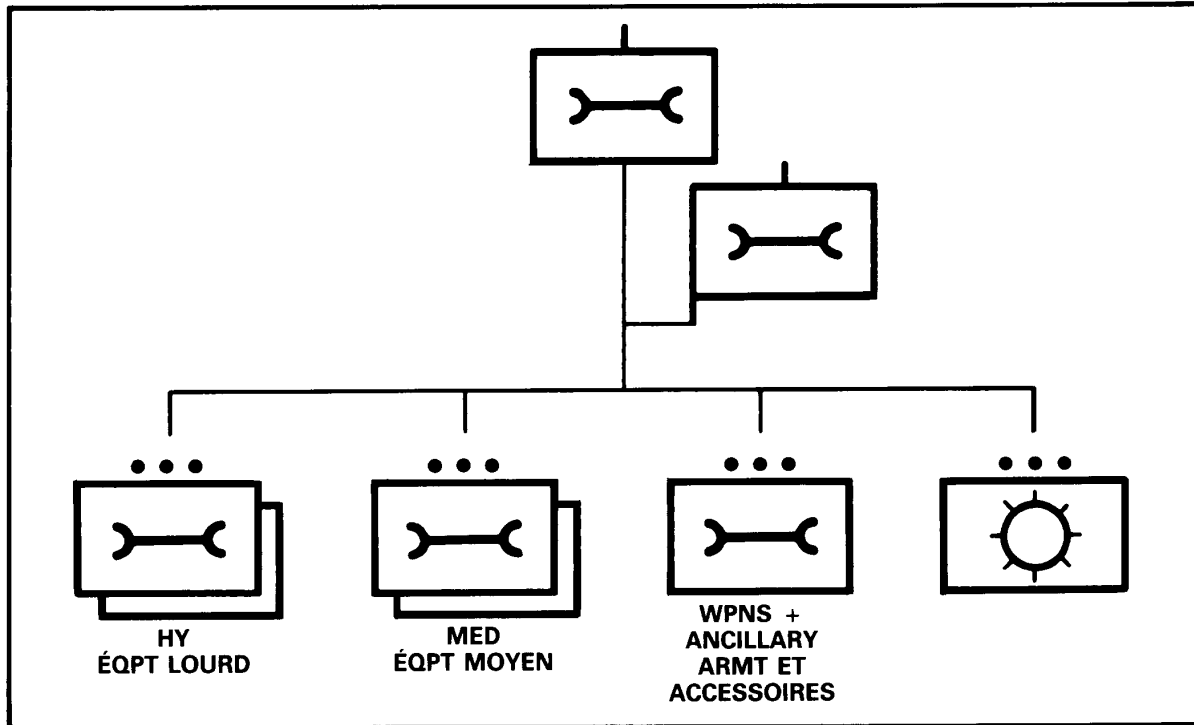


Figure 5-1 Une compagnie de maintenance d'un bataillon des services du GSD

20. **Le peloton de réparation d'armes et d'accessoires.** Ce peloton est organisé de manière à réparer les systèmes d'armes, les systèmes de conduite du tir, les systèmes de communications, les systèmes électroniques et les systèmes radars qui sont tous essentiels au combat et qui doivent tous être réparés en zone avancée. Il comprend également des équipes de soudage préposées aux équipements lourds; ces dernières peuvent être déployées en zone avancée au besoin.

21. **Le peloton de pièces de rechange.** Le peloton de pièces de rechange fournit un certain nombre de pièces à la compagnie de maintenance, c'est-à-dire qu'il dispose habituellement d'une réserve de stock bonne pour tenir 15 jours.

## MOYENS

22. La compagnie de maintenance d'un bataillon des services du GSD est en mesure de fournir sur-le-champ les services du GEM de deuxième échelon à une brigade au combat. Les pelotons mobiles de réparation d'équipements lourds et moyens ainsi que les ERM du peloton de réparation d'armes et d'accessoires sont pourvus de tout l'outillage nécessaire pour pouvoir réparer les véhicules à roues prioritaires, les véhicules blindés de combat (VBC), ainsi que les autres véhicules blindés, dont les véhicules de reconnaissance et les transports de troupes blindés. C'est le bataillon de maintenance du GSD qui se charge de réparer les autres types de véhicules.

23. **Réparation mobile.** Chaque peloton est équipé de véhicules d'équipes mobiles de réparation (EMR) capables de lever des véhicules lourds. Lorsque l'organisme de maintenance de premier échelon signale une réparation à effectuer, l'EMR demande à la section des pièces de rechange les pièces de réparation qui figurent dans la demande de réparation, puis se rend en zone avancée, là où se trouve le véhicule à réparer. À son arrivée, l'EMR est reçue par l'équipage du véhicule ou, si possible, par le personnel de maintenance de premier échelon, et se fait expliquer la nature des réparations à effectuer. Elle effectue la réparation; le véhicule est ensuite retourné au combat.

24. **Dépannage limité.** Chaque peloton de réparation de véhicules lourds et moyens en zone avancée dispose de moyens de récupération du matériel limités. En général, les véhicules de dépannage appuient les services de réparation, comme lorsqu'ils remorquent les véhicules sinistrés à un endroit où ils peuvent être réparés. On ne dispose pas suffisamment de ressources de dépannage pour assurer le soutien en permanence aux points de rassemblement de l'équipement (PRE) de brigade. Il incombe à la compagnie de maintenance d'effectuer la reconnaissance du PRE de brigade et de demander que le site choisi soit approuvé par l'entremise du G4 de brigade. Toutefois, il revient au bataillon de maintenance du GSD d'affecter le personnel nécessaire au PRE. Il en est question à la section 4.

25. **Opérations décentralisées.** Il est rare que le terrain soit suffisamment grand pour que toutes les unités soient déployées profondément en zone avancée, tout particulièrement au cours d'opérations exigeant une grande mobilité. Les unités de soutien au combat sont souvent déployées loin derrière les unités avancées et trouvent cela souvent difficile d'assurer le soutien immédiat. Dans ce cas, le commandant de la brigade soutenue peut demander que les éléments de son bataillon des services du GSD soient déployés très à l'avant. On constitue alors un groupe logistique avancé (GLA), comprenant des éléments de la compagnie de l'approvisionnement et des transports et de celle de la maintenance. Dans le cas de cette dernière, il s'agit habituellement d'un ou de plusieurs pelotons d'EMR de véhicules lourds auxquels s'adjoignent certaines EMR provenant des pelotons mobiles de réparation d'équipements moyens et de réparation d'accessoires. Il y a aussi un certain nombre de véhicules de la section des pièces de rechange qui se rendent à l'avant. La figure 5-2 donne un modèle de déploiement de ce type.

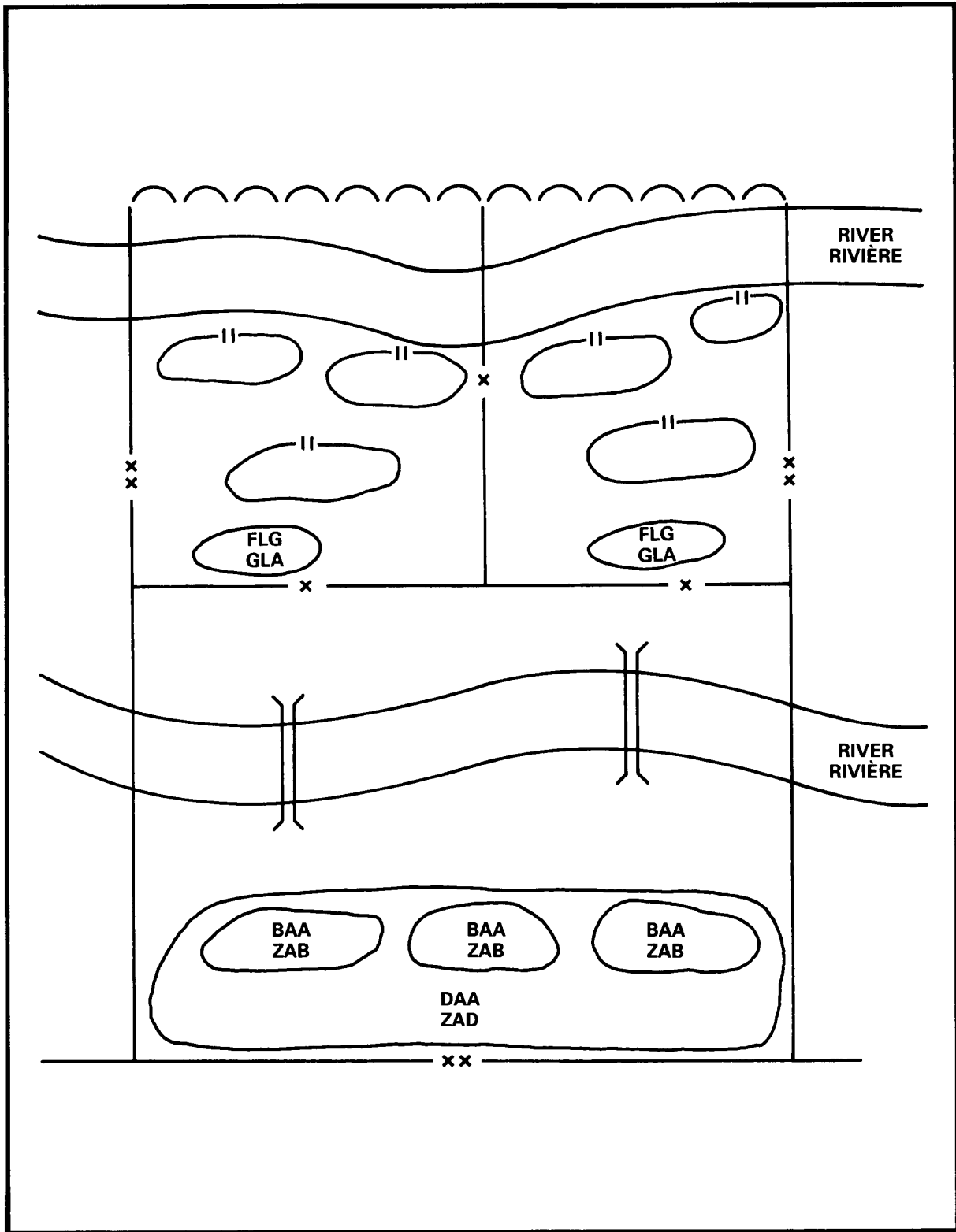


Figure 5-2 Déploiement type d'un groupe logistique avancé (GLA)

## SECTION 3

### LA COMPAGNIE DE MAINTENANCE DU BATAILLON DES SERVICES DU GROUPE-BRIGADE

#### INTRODUCTION

26. Font partie intégrante d'un groupe-brigade les unités de l'artillerie, du génie, de la défense antiaérienne, de la police militaire, de la logistique et les unités antichars et sanitaires. Capable de mener des opérations indépendantes pendant une longue période, le gp-bde reçoit son soutien des ressources du corps. On traite en détail des opérations du bataillon des services du groupe-brigade dans le document B-GL-312-001/FP-000 intitulé, Les services de soutien au combat, vol. 1, Le bataillon des services au combat.

27. Dans le bataillon des services du groupe-brigade, la compagnie de maintenance a été mise sur pied pour fournir au groupe-brigade les services de soutien de deuxième échelon. Cette compagnie est beaucoup plus importante que la compagnie de maintenance du bataillon des services du GSD, étant donné que la première dessert plus d'unités que la deuxième.

#### ORGANISATION ET MOYENS

28. La compagnie de maintenance d'un bataillon des services du groupe-brigade est divisée en deux organismes fonctionnels, soit un groupe de réparation avancé (GRA) et un groupe de maintenance principal (GMP). Le GRA comprend trois pelotons d'EMR alors que le GMP est formé de trois pelotons de réparation d'équipement, d'un peloton de dépannage et d'un peloton de pièces de rechange. L'organisation de la compagnie de maintenance est illustrée à la figure 5-3.

29. La compagnie de maintenance peut fournir au groupe-brigade tous les services du GEM de deuxième échelon. Au cours des opérations, elle s'occupe principalement des matériels qui ne peuvent être réparés ou récupérés par les unités. Lorsque le groupe-brigade est retiré du combat ou qu'il y a accalmie, la compagnie de maintenance peut également mettre en oeuvre des programmes de modifications non essentielles, procéder à des inspections techniques du matériel de la formation, etc.

30. La compagnie de maintenance est également chargée d'aider à effectuer les travaux de maintenance de premier niveau si la charge de travail des pelotons ou des troupes de maintenance d'unité est excessive. Pour ce faire, elle détache des équipes de réparation auprès de l'unité.

31. **Le groupe de réparation avancé (GRA).** Les équipes mobiles de réparation (EMR) qui composent le groupe de réparation avancé répondent aux demandes de réparation en se déployant à l'avant et en réparant sur place les véhicules hautement prioritaires tels que les chars, les canons automoteurs, les TTB, les véhicules de combat de l'infanterie, les véhicules de reconnaissance et l'équipement du génie. Chaque EMR dispose de tout l'outillage ainsi que de tout l'équipement d'essai et de levage nécessaires pour réparer le matériel qui peut lui être confié. Les pelotons se divisent en sections spécialisées pour chaque type d'équipement à réparer. Ils sont souvent déployés près de l'équipement qu'ils sont chargés de réparer; par exemple, la section de réparation des canons automoteurs se trouve à proximité du régiment d'artillerie.

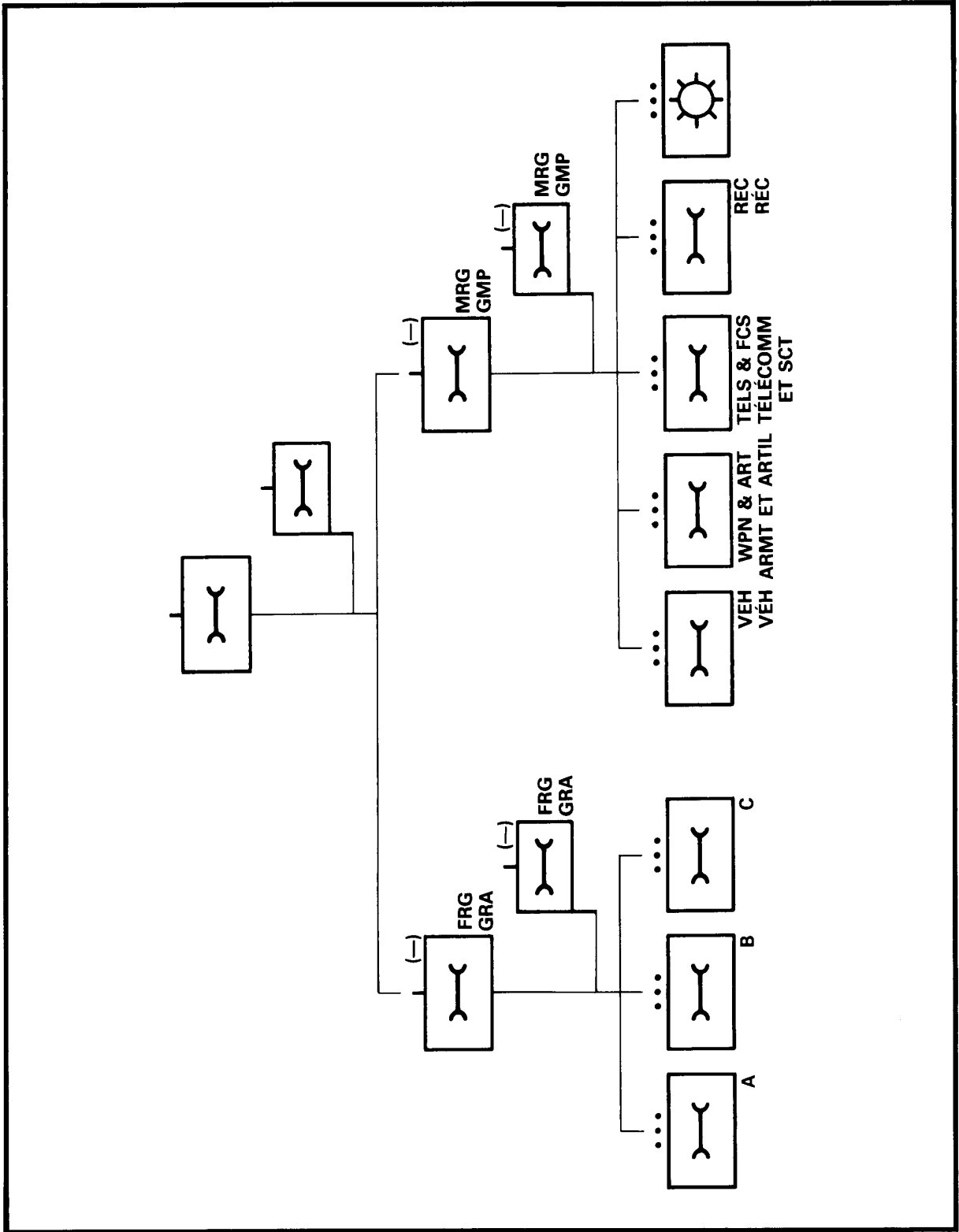


Figure 5-3 Une compagnie de maintenance du bataillon des services du groupe-brigade

32. Le GRA est formé de trois pelotons et est déployé aussi à l'avant que la situation tactique le permet. Il se trouve souvent près des échelons A de l'unité. Les pelotons sont organisés comme suit :

- a. **Le peloton A.** Ce peloton est formé de trois sections : EMR de chars, EMR de canons automoteurs et EMR de matériel du génie.
- b. **Le peloton B.** Le peloton B est également composé de trois sections : une grosse section de réparation de TTB et de véhicules de combat d'infanterie, une section de réparation de véhicules de reconnaissance et une petite section de réparation de véhicules à roues hautement prioritaires, tels les véhicules à roues pour les communications protégées, les ambulances, etc.
- c. **Le peloton C.** Le peloton C est composé de sections d'EMR chargées de réparer les systèmes d'armes, les systèmes de conduite du tir et les systèmes de télécommunications. Chaque section se divise en sous-sections spécialisées dans la réparation des chars, des canons automoteurs, des TTB, des véhicules de combat d'infanterie et de l'équipement du génie.

33. **Le groupe de maintenance principale (GMP).** Il s'agit d'un groupe centralisé déployé dans la zone administrative de brigade. Son rôle consiste à réparer l'équipement non essentiel que les unités envoient au bataillon des services à l'arrière. Voici ses principales tâches :

- a. **Maintenance de deuxième niveau.** Le GMP est capable d'effectuer toute la maintenance de deuxième niveau liée aux véhicules, aux armes et aux systèmes d'armes, aux systèmes de conduite du tir, aux radars et à l'équipement de télécommunications non protégées. Cela comprend également le soutien lié aux matériaux, tels que le soudage, le brasage, la peinture, etc.
- b. **Dépannage.** Le GMP possède les ressources de dépannage de deuxième échelon du groupe-brigade. Il est chargé d'assurer les services de dépannage que l'unité n'est pas en mesure de fournir. Ses tâches consistent tout spécialement à retirer les véhicules des fossés, à établir les postes de récupération pendant les déplacements du groupe-brigade, à dégager les PRE et si l'organisme de réparation de deuxième échelon ne dispose pas des ressources nécessaires, de transporter les véhicules et le matériel jusqu'au point de rassemblement du matériel envoyé à l'arrière (PEVAR).
- c. **Renforcement du soutien de maintenance d'unité.** Des équipes de réparation du GMP sont détachées auprès des pelotons et des troupes de maintenance d'unité afin de les aider à effectuer les réparations de premier échelon lorsque l'unité, ne disposant pas des ressources nécessaires pour répondre à toutes les demandes, a demandé l'aide du bataillon des services.
- d. **Établissement des PRE de la brigade.** Le quartier général du groupe-brigade désigne des zones pour l'établissement des PRE. Le personnel affecté à des PRE



provient du groupe de maintenance principal. Dans le peloton de réparation des véhicules, le GMP dispose d'une section ayant à sa disposition des véhicules spécialement équipés (VSE) pour les inspections et les réparations. Chaque détachement est commandé par un inspecteur et comprend un ou plusieurs techniciens. Les détachements sont chargés d'établir et de surveiller les routes et les zones de rassemblement, d'assurer la sécurité de l'équipement au PRE, d'inspecter l'équipement à son arrivée et d'effectuer les réparations pour lesquelles ils ont l'outillage et les pièces de rechange nécessaires. Ils sont également chargés de désigner une zone de réforme du matériel non réparable, sans toutefois en assurer la protection; enfin, ils doivent contrôler la cannibalisation et l'emprunt de pièces provenant de véhicules inutilisables. Un groupe-brigade peut établir jusqu'à cinq PRE.

- e. **Pièces de rechange.** Le peloton de pièces de rechange fournit les pièces de rechange nécessaires aux réparations de deuxième échelon à chaque peloton de réparation de la compagnie de maintenance. Au groupe avancé de réparation est rattachée une section qui lui fournit les pièces de rechange dont il a besoin pour effectuer les réparations sur place.

34. Le GMP comprend les pelotons suivants :

- a. **Le peloton de réparation des véhicules.** Ce peloton travaille souvent dans des abris de maintenance ou dans de grands bâtiments lorsqu'il est déployé dans des zones bâties. Il dispose d'un grand nombre d'équipes de réparation de véhicules; chacune se divise en sections se spécialisant dans la réparation de tous les véhicules, chenillés et à roues, qui occupent les PRE de l'unité. La section chargée des PRE de l'unité comprend des équipes d'inspection technique disposant de véhicules à roues des EMR. Le peloton peut également fournir des EMR pour renforcer les pelotons A et B du G RA.
- b. **Le peloton de réparation des matériaux et de l'armement.** Ce peloton comprend des sections chargées de réparer l'armement et d'effectuer les travaux liés aux matériaux, tels le soudage, le coupage, etc. pour soutenir d'autres sections de réparation. Le peloton se sert de VSE. Il est en mesure de fournir des EMR supplémentaires, au besoin, pour renforcer le peloton C du GRA.
- c. **Le peloton de réparation des systèmes de télécommunications et de conduite du tir.** Ce peloton comprend deux grosses sections, une pour chaque fonction, et utilise des VSE. Il peut également se servir de véhicules spécialement équipés comme ceux des EMR pour prêter main forte au peloton C du GRA, au besoin.
- d. **Le peloton de dépannage.** Le peloton de dépannage est équipé de véhicules de dépannage à roues, lourds et moyens. Il comprend des sections pouvant exécuter des tâches générales de dépannage et de dégagement des PRE d'unité.

- e. **Le peloton des pièces de rechange.** Ce peloton comprend un grand nombre de véhicules lourds, à roues, dont les remorques moyennes ont été compartimentées pour qu'on puisse y entreposer les pièces de rechange. Il se divise en sections selon les types de pièces transportés. Une section possédant les pièces de rechange pour les chars, les TTB, les véhicules de combat de l'infanterie, les canons automoteurs et l'équipement du génie est affectée au GRA.

## SECTION 4

### LE BATAILLON DE MAINTENANCE DU GSD

#### INTRODUCTION

35. Le bataillon de maintenance fournit à la division le soutien du GEM de deuxième échelon que n'offrent pas les bataillons des services du GSD. Dans le bataillon de maintenance, les éléments divisionnaires de réparation et de dépannage les plus lourds sont regroupés afin de compléter et de renforcer les compagnies de maintenance des bataillons des services du GSD et de faciliter ainsi leurs tâches de récupération et de réparation en zone avancée.

#### ORGANISATION ET MOYENS

36. Le bataillon de maintenance d'un GSD est en mesure de fournir aux troupes divisionnaires et aux brigades le soutien du GEM de deuxième échelon que les bataillons des services du GSD ne peuvent fournir. Pour pouvoir accomplir ses tâches, le bataillon de maintenance est mobile, toutes ces sous-unités ayant la capacité de travailler dans des véhicules ou sous des abris de maintenance portatifs.

37. Vu l'importance de ses effectifs, le bataillon de maintenance est habituellement situé dans la zone administrative de division, même si les EMR individuelles, les véhicules de dépannage ainsi que les sous-unités de l'importance d'une section ou d'un peloton peuvent se déployer en zone avancée, au besoin. Le gros de l'équipement à réparer provient des brigades ou des troupes divisionnaires; il est envoyé à l'arrière au bataillon de maintenance via les PRE ou le système d'approvisionnement.

38. La figure 5-4 présente l'organigramme d'un bataillon de maintenance du GSD. Il comprend une compagnie avancée de réparation, une compagnie de dépannage, une compagnie de maintenance d'armement (armt) et d'équipements électroniques (élec), une compagnie de réparation de véhicules chenillés (chen), une compagnie de réparation de véhicules à roues et une compagnie d'administration.

39. **La compagnie avancée de réparation.** La compagnie avancée de réparation est organisée de façon fonctionnelle en pelotons mobiles, spécialisés dans la réparation de chenillés, moyens et lourds, et de véhicules à roues, ainsi que dans la réparation d'armes et d'accessoires. Dans une division blindée, on augmente les effectifs des pelotons mobiles de réparation d'équipements moyens et lourds en raison du grand nombre de véhicules blindés de combat (VBC). Voici les pelotons que comprend une compagnie avancée de réparation :

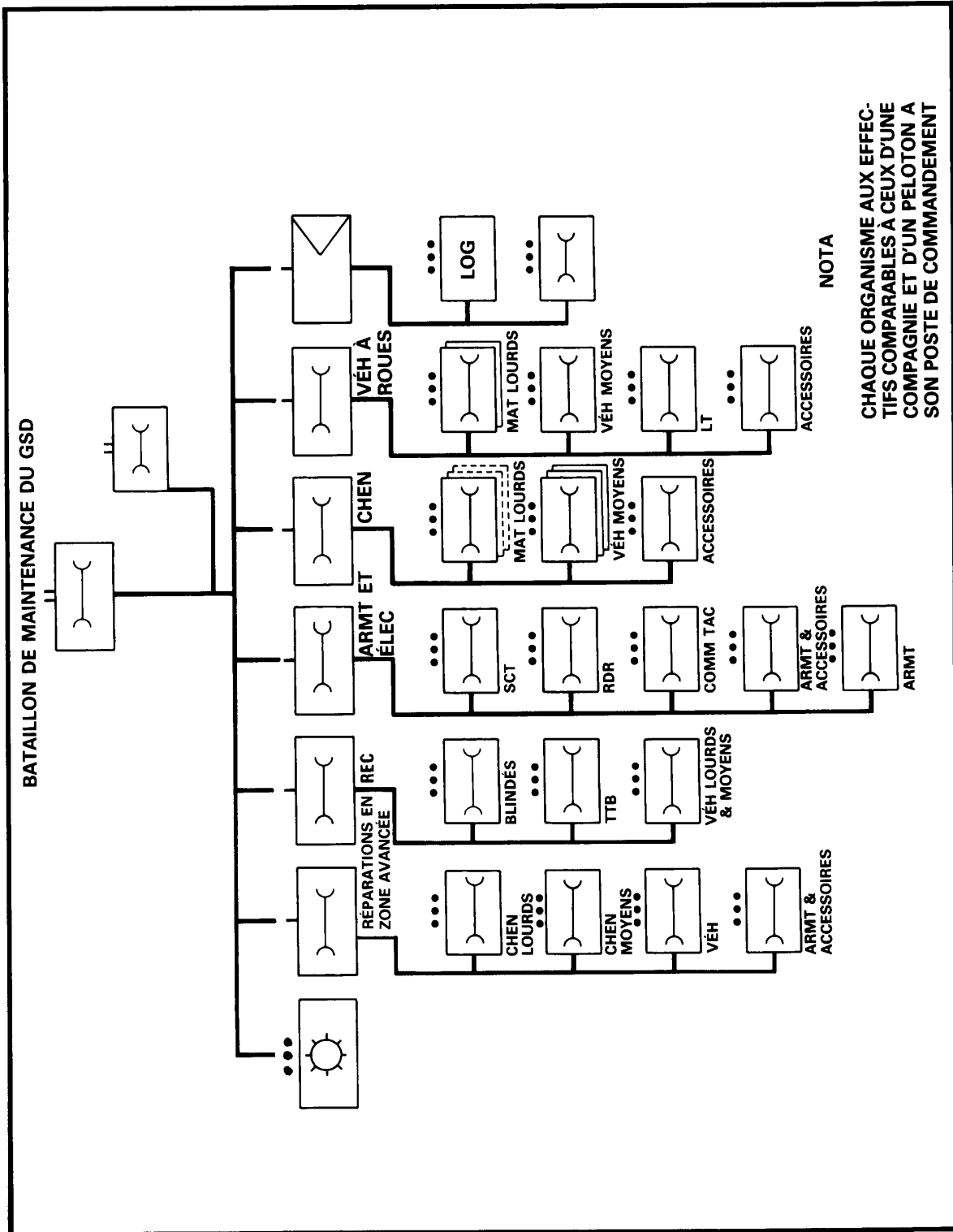


Figure 5-4 Organigramme d'un bataillon de maintenance du GSD

- a. **Le peloton mobile de réparation des équipements lourds.** Les EMR de ce peloton réparent en zone avancée les chars, les VBL, les canons automoteurs et le matériel lourd du génie. Il comprend des sections d'EMR de chars, de pièces d'artillerie lourde, de TTB et de matériel lourd du génie.
- b. **Le peloton mobile de réparation des équipements moyens.** Ce peloton se spécialise dans la réparation des chenillés de la division, lourds et moyens. Il est formé de sections soit chargées de réparer les TTB et le matériel du génie, soit affectées au régiment de reconnaissance divisionnaire.
- c. **Le peloton mobile de réparation des véhicules à roues.** Ce peloton répare les véhicules à roues. Il est normalement équipé de véhicules à roues destinés aux EMR. Les sections qui le composent sont affectées à l'artillerie divisionnaire, au génie divisionnaire et au GSD.
- d. **Le peloton mobile de réparation de l'armement et des accessoires.** Ce peloton est organisé de manière à pouvoir réparer les systèmes d'armes, les systèmes de conduite du tir, les systèmes de communications, l'équipement électronique ainsi que les systèmes radars qui sont tous essentiels au combat et qui doivent tous être réparés en zone avancée. Le peloton comprend également des équipes de soudage munies d'un équipement lourd et capables de se déployer à l'avant, au besoin.

40. **La compagnie du dépannage.** Les ressources divisionnaires de dépannage sont en majorité centralisées dans la compagnie du dépannage du GSD. Grâce à ce contrôle centralisé, elles ménagent leurs efforts tout en restant suffisamment souples pour exécuter la diversité des tâches assignées de dépannage. Les ressources de dépannage du bataillon de maintenance sont en mesure d'envoyer l'équipement à réparer à l'arrière, de le répartir entre les organismes, de soutenir des opérations spéciales comme les déplacements de formation ou d'unité, le nettoyage du champ de bataille ou, sur demande, l'érection ou la levée d'obstacles.

41. La compagnie du dépannage compte les pelotons suivants :

- a. **Le peloton du dépannage des véhicules blindés.** Ce peloton peut dépanner de lourds blindés. Il possède des véhicules blindés de dépannage (VBD) dont le châssis est du même type que celui des chars ou des canons automoteurs. Ces véhicules sont appuyés par des transporteurs de matériel lourd.
- b. **Le peloton du dépannage des transports de troupes blindés (TTB).** Ce peloton est en mesure de dépanner les TTB.
- c. **Le peloton du dépannage des véhicules moyens ou lourds.** Ce peloton est doté de véhicules à roues, moyens et lourds. Il dispose également de véhicules plates-formes pouvant servir au dépannage et à l'envoi à l'arrière de véhicules à roues, de TTB et de certains types de matériel du génie.

42. La compagnie du dépannage doit également fournir des détachements chargés d'établir et d'occuper des PRE devant servir aux unités de brigade et aux troupes divisionnaires. Ces détachements peuvent provenir de n'importe quel peloton : tout dépend de l'unité qui est soutenue.

43. **La compagnie de réparation des chenillés.** Cette compagnie répare les véhicules chenillés et le matériel du génie qui ne peuvent être réparés en zone avancée. Elle fournit surtout des services de soutien de niveau deux et certains services de niveau trois. Elle comprend les pelotons suivants :

- a. **Le(s) peloton(s) de réparation des chenillés lourds.** Ce peloton comprend les techniciens, les VSE et l'outillage spécial lui permettant de réparer les chars, les canons automoteurs et les transports de troupes blindés (TTB). Un bataillon de maintenance du GSD d'une division mécanisée comprend un peloton de ce type, alors qu'une division blindée en possède trois.
- b. **Les pelotons de réparation des chenillés moyens.** Ces pelotons réparent tous les véhicules chenillés qui ne sont pas réparés par le(s) peloton(s) de réparation des chenillés lourds.
- c. **Le peloton de réparation des accessoires.** Ce peloton fournit les services nécessaires aux autres pelotons de maintenance de la compagnie, soit les services d'usage, de soudage, de remise à neuf et ceux liés aux matériaux.

44. **La compagnie de réparation des véhicules à roues.** Cette compagnie s'occupe des véhicules à roues qui ne sont pas réparés en zone avancée. Elle est organisée de la façon suivante :

- a. **Les pelotons de réparation de véhicules lourds à roues.** Les pelotons, au nombre de deux, s'occupent de réparer les véhicules lourds à roues et certaines installations du génie.
- b. **Le peloton de réparation de véhicules moyens à roues.** Ce peloton répare les véhicules moyens à roues et les remorques moyennes.
- c. **Le peloton de réparation de véhicules légers à roues.** Ce peloton effectue la maintenance de niveau deux des véhicules à roues légers, des remorques légères, des motocyclettes et des génératrices de la division.
- d. **Le peloton de réparation des accessoires.** Ce peloton fournit les services nécessaires aux autres pelotons de maintenance de la compagnie, soit les services d'usage, de soudage, de remise à neuf et ceux liés aux matériaux. De plus, certaines sections refont et remettent en état les pièces des véhicules moteurs et rechapent les pneus.

45. **La compagnie des armes et de l'électronique.** Cette compagnie répare au niveau deux les armes et l'équipement électronique qui ne l'ont pas été en zone avancée. Elle comprend cinq pelotons organisés selon les lignes de maintenance du matériel. Son organisation est la même dans les divisions blindées et mécanisées. Elle regroupe les pelotons suivants :

- a. **Le peloton de l'armement.** Ce peloton possède tous les techniciens et les VSE dont il a besoin pour réparer les armes lourdes de la division.
- b. **Le peloton des armes légères et des accessoires.** Ce peloton dispose des techniciens et des VSE nécessaires à la réparation des armes légères, des mortiers et des autres armes que le peloton de l'armement n'a pas réparés. Il possède également des ateliers d'usinage, de soudure et de textile offrant des services de soutien spécialisés à l'ensemble de la division.
- c. **Le peloton des systèmes de conduite du tir (SCT).** Ce peloton répare les systèmes de conduite du tir des chars, les systèmes de contrôle et de pointage des canons, les véhicules aériens télépilotés, les dispositifs d'imagerie, les dispositifs d'observation, les instruments, les ordinateurs tactiques, l'équipement électronique spécialisé, les missiles guidés, les groupes électrogènes et les batteries.
- d. **Le peloton des radars.** Ce peloton répare au niveau deux les radars que possède la division.
- e. **Le peloton des communications tactiques (Comm tac).** Ce peloton assure la maintenance de l'équipement des communications tactiques non protégées au niveau deux.

46. **La compagnie d'administration.** Cette compagnie s'occupe de l'administration courante d'une unité grosse comme un bataillon. Elle comprend les pelotons suivants :

- a. **Le peloton de logistique.** Ce peloton comprend les sections du transport, des services sanitaires, de l'ordinaire, de la police militaire, du quartier-maître et de l'administration du personnel.
- b. **Le peloton de maintenance.** Ce peloton assure la maintenance et le dépannage de niveau un pour tout ce qui concerne l'équipement du bataillon.
- c. **Le peloton des pièces de rechange.** Le peloton des pièces de rechange fait partie du bataillon de maintenance et fournit les pièces de rechange dont a besoin le bataillon dans l'immédiat.

## SECTION 5

### LES ÉTATS-MAJORS DU GEM DE LA DIVISION ET DE LA BRIGADE

#### INTRODUCTION

47. Il revient aux commandants à chaque niveau de gérer l'administration et la maintenance de façon efficace. Au niveau de l'unité, un commandant compte sur son officier de maintenance pour lui donner des conseils pour tout ce qui touche le GEM. Au niveau de la formation, chaque commandant est appuyé d'un état-major du GEM pour le conseiller sur les questions relatives au GEM et pour appliquer les directives des commandants. Dans la présente section, on traite des états-majors suivants :

- a. l'état-major de la maintenance G4 de brigade;
- b. l'état-major de la maintenance G4 de division; et
- c. l'état-major de la maintenance G4 du quartier général du GSD.

48. Chacun des états-majors de maintenance G4 énumérés ci-dessus prend place dans la filière technique de contrôle expliquée à la section 2 du chapitre 2 et illustrée à la figure 2-9. Dans la présente section, il est expliqué comment chacun de ces états-majors voit à la planification et à la mise en place du soutien du GEM de premier et de deuxième échelons dans la formation. On traite du soutien du GEM de troisième échelon au chapitre 6.

#### L'ÉTAT-MAJOR DE LA MAINTENANCE G4 DE LA BRIGADE

49. L'état-major de la maintenance G4 de brigade a comme responsabilité première d'aider le commandant en lui prodiguant des conseils en matière de GEM et en coordonnant la prestation des services du GEM. Voici ses principales fonctions :

- a. tenir le commandant de brigade et l'état-major des opérations au courant de tous les aspects du GEM influant sur les opérations en cours et à venir;
- b. assurer la coordination de tous les organismes du GEM soutenant la formation;
- c. rédiger les parties sur la maintenance dans les ordonnances, les instructions et les plans administratifs préparés par la brigade en conformité avec l'orientation donnée par le commandant de brigade;
- d. rédiger les parties sur la maintenance dans les instructions et les ordres administratifs de brigade relatifs aux mouvements;
- e. établir la liaison avec l'état-major de la maintenance G4 de division et l'état-major de la maintenance G4 du quartier général du GSD pour traiter des politiques et de la planification concernant le GEM;



- f. établir la liaison avec l'officier de la compagnie de la maintenance du bataillon des services de soutien du GSD et les officiers de maintenance d'unité pour traiter de problèmes éventuels et de l'application du plan du commandant;
- g. coordonner l'établissement des rapports et des comptes rendus liés à la maintenance de la brigade, les recueillir et les regrouper; et
- h. établir les priorités de réparation et de dépannage applicables à la brigade.

50. L'état-major de la maintenance G4 fait partie de l'état-major G4 du quartier général de brigade. Commandé par un capitaine du GEM, il comprend des conseillers techniques pour chacun des métiers des organismes du GEM de deuxième échelon. La figure 5-5 montre l'organisation du quartier général de brigade. Pour connaître les détails sur l'organisation de l'état-major du quartier général de brigade, voir le document B-GL-303-001/AF-001 intitulé, Corps '86 War Establishments.

51. L'état-major de la maintenance G4 est également chargé de planifier les inspections techniques du matériel de la brigade ordonnées par le commandant de brigade. Grâce à elles, le commandant est à même de se rendre compte de l'état de l'équipement de la brigade et il peut mieux mesurer l'étendue des services du GEM en souffrance. Les inspections techniques du matériel de brigade interrompent les activités de maintenance d'unité et monopolisent beaucoup de temps et de ressources. Elles devraient être effectuées uniquement lorsqu'on prévoit que la brigade se retirera du combat pendant un certain temps.

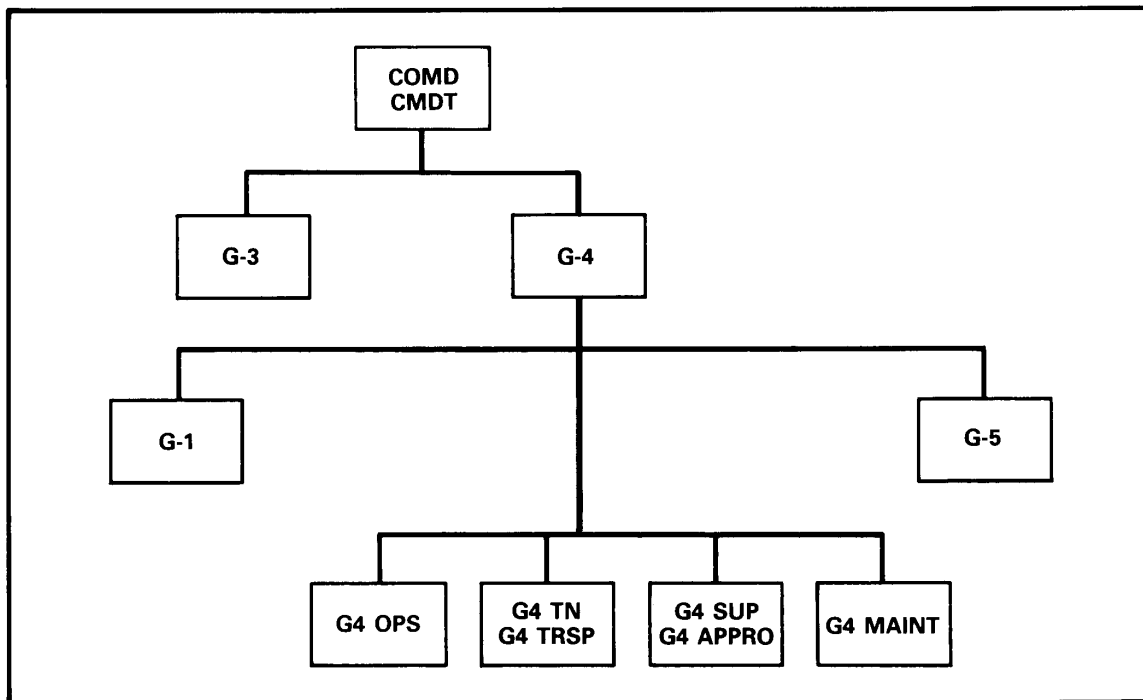


Figure 5-5 L'état-major de l'administration de la brigade

## L'ÉTAT-MAJOR DE LA MAINTENANCE G4 DE LA DIVISION

52. L'état-major de la maintenance G4 de division a pour rôle de conseiller le commandant divisionnaire sur les questions concernant le GEM et de coordonner la prestation des services du GEM. Voici ses principales fonctions :

- a. tenir le commandant de division et l'état-major des opérations au courant de tous les aspects du GEM influant sur les opérations en cours et à venir;
- b. assurer la coordination de tous les organismes du GEM relevant directement de la formation ou détachés auprès d'elle;
- c. rédiger les parties des ordonnances, des instructions et des plans administratifs portant sur la maintenance du GEM;
- d. s'assurer que les lignes de conduite, les instructions et les ordres du commandant relatifs aux questions du GEM sont compris et suivis;
- e. établir le contact avec d'autres états-majors, d'autres formations et d'autres unités subalternes ainsi qu'avec les quartiers généraux adjacents et subalternes pour traiter de questions du génie électrique et mécanique et coordonner, conjointement avec eux, la prestation des services du GEM;
- f. planifier les activités du GEM dans le cadre des opérations futures;
- g. diriger l'établissement des rapports et des comptes rendus ayant trait au GEM et en assurer le traitement;
- h. surveiller, conjointement avec l'état-major G3, l'emploi des ressources importantes du GEM; et
- j. établir les priorités en matière de réparation et de dépannage au niveau de la division.

53. L'organigramme de l'état-major administratif divisionnaire est donné à la figure 5-6. L'état-major de la maintenance G4 est dirigé par un major du GEM. L'état-major comprend, outre des capitaines spécialisés dans le dépannage et la réparation de l'équipement, des techniciens supérieurs de chaque métier représenté dans les organismes du GEM de deuxième échelon. Pour connaître en détail l'organisation de l'état-major de la maintenance G4 divisionnaire, voir le document B-GL-303-001/AF-001, intitulé Corps' 86 Establishments.

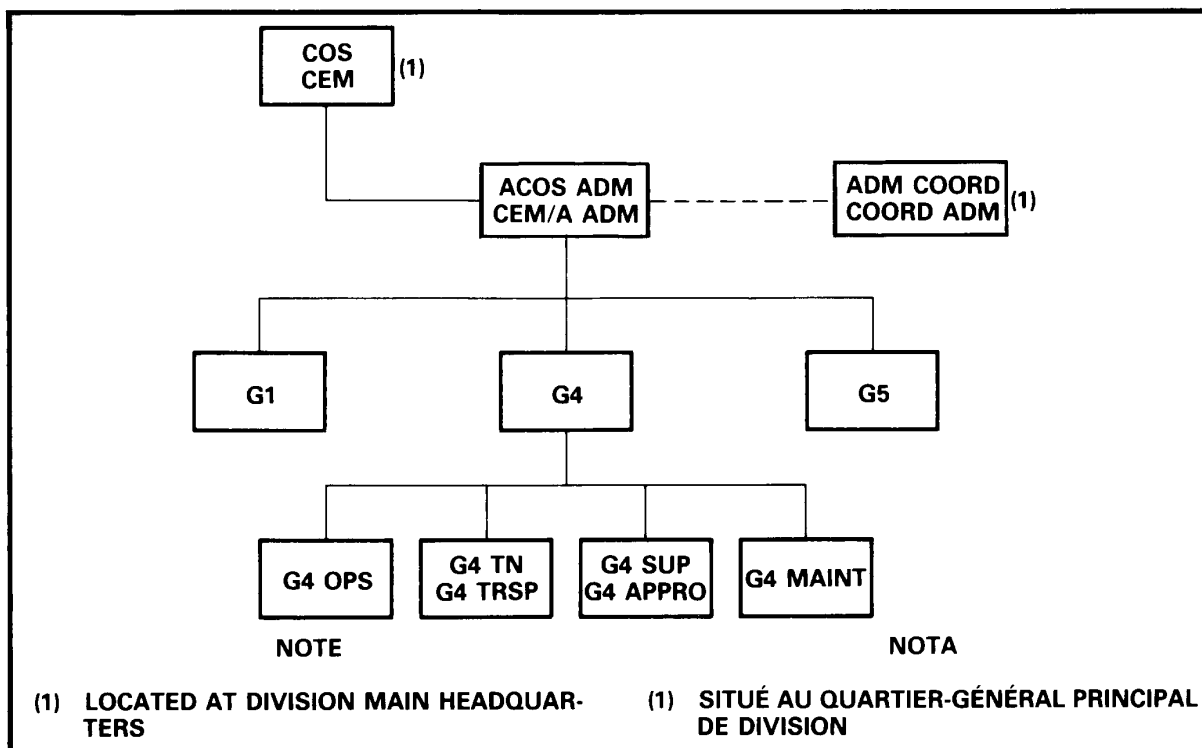


Figure 5-6 L'état-major de l'administration de la division (Zone arrière de division)

### L'ÉTAT-MAJOR DE LA MAINTENANCE G4 DU QUARTIER GÉNÉRAL DU GSD

54. Le commandant du GSD est un brigadier général. Il commande toutes les ressources de soutien au combat de deuxième échelon de la division, sauf les services sanitaires et ceux de la police militaire. Il commande un certain nombre d'unités, notamment trois bataillons des services, un bataillon de maintenance, un bataillon d'approvisionnement, un bataillon de transport et d'autres unités qui peuvent s'y rattacher en provenance d'un niveau supérieur. La figure 5-7 présente l'organigramme de l'état-major du GSD, dont les activités sont précisées dans la B-GL-312-002/FP-001, intitulée Les services de soutien au combat, vol. 2, Le groupe des services divisionnaires au combat. Le document B-GL-303-001/AF-001, intitulé Corps' 86 Establishments, détaille l'organisation de l'état-major du GSD.

55. Le GSD est un organigramme de l'envergure d'une brigade et, à ce titre, possède un état-major similaire à celui qu'on trouve dans un quartier général de brigade. L'état-major de maintenance G4 comprend un capitaine du GEMT ainsi qu'un technicien supérieur pour chacun des métiers représentés dans les organismes du GEM de deuxième échelon. Voici les principales fonctions de l'état-major de la maintenance G4 :

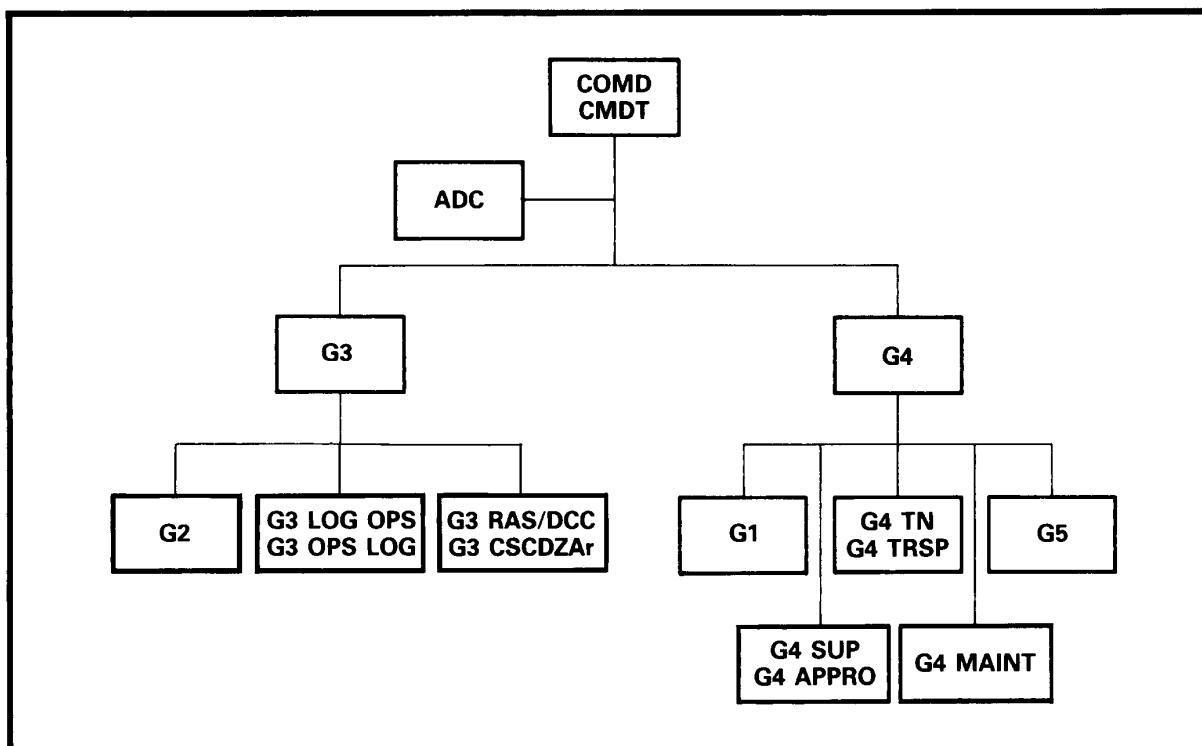


Figure 5-7 Organigramme d'un quartier général du GSD

- a. renseigner le commandant et l'état-major, notamment la section des plans des opérations logistiques G3, sur les questions du GEM qui influent sur les opérations en cours et à venir;
- b. rencontrer les états-majors du quartier général de division, du quartier général du COSCA, du quartier général de brigade, du bataillon de maintenance et des bataillons des services du GSD pour traiter des questions reliées au GEM;
- c. rédiger les parties sur le GEM qui doivent figurer dans les ordres, les instructions et les directives d'opération et d'administration du GSD;
- d. surveiller l'établissement des rapports et des comptes rendus du GEM qu'envoient les unités subalternes; et
- e. diriger les ressources vitales du GEM, conjointement avec l'état-major G3.

## **CHAPITRE 6**

### **LA BRIGADE DE MAINTENANCE DU COSCA**

#### **SECTION 1**

#### **GÉNÉRALITÉS**

##### **INTRODUCTION**

1. Les services de soutien du GEM de deuxième et de troisième échelons dans un corps d'armée canadien sont fournis au corps par la brigade de maintenance du commandement de soutien du corps d'armée (COSCA). Le fonctionnement du COSCA est décrit dans la B-GL-312-003/FP-001, Combat Service Support vol. 3, Corps Service Command in Battle.

##### **RESPONSABILITÉS D'UN ORGANISME DU GEM DE TROISIÈME ÉCHELON**

2. L'organisme du GEM de troisième échelon se trouve à l'échelon du corps ou à un niveau encore supérieur. Il remplit généralement les fonctions suivantes :

- a. réparer l'équipement et le retourner par la voie des services d'approvisionnement;
- b. soutenir les organismes de maintenance de premier et de deuxième échelons;
- c. fournir les services de dépannage de troisième échelon au corps;
- d. entretenir, commander et inspecter les articles entreposés ou à entreposer au service d'approvisionnement;
- e. réparer, remettre en état ou à neuf les modules, les composants ou les assemblages inutilisables;
- f. former le personnel du GEM se dirigeant dans les organismes de premier, de deuxième et de troisième échelons;
- g. concevoir des modifications techniques et les réaliser; et
- h. concevoir des systèmes de travail sur une chaîne de montage.

## **FACTEURS D'ORGANISATION**

3. Voici les principaux éléments qui influent sur l'organisation d'un organisme du GEM de troisième échelon :
  - a. la quantité et le type d'équipements à maintenir;
  - b. les fonctions relatives aux opérations et à la formation liées à l'introduction de nouveaux équipements et à la mise en place de la formation technique connexe; et
  - c. le mode de fonctionnement du corps d'armée soutenu.
4. Le tableau des effectifs et de la dotation d'un corps d'armée dépasse les 100 000 personnes et comprend un grand nombre de divers types d'équipements, soit environ 1 000 chars, 13 000 chenillés, 43 000 véhicules à roues, 150 000 armes légères, 30 000 postes radio, 30 000 articles électriques, électroniques et d'optique électronique variés et 100 radars de grandes dimensions. La réparation et la remise en état de ce matériel, au troisième échelon, exigent que les installations soient relativement fixes, la main-d'oeuvre, nombreuse et les lignes de montage, grandement utilisées.
5. Au fur et à mesure que le corps d'armée s'aguerrit, il reçoit de nouveaux équipements et du nouveau personnel du GEM. Ces changements supposent la mise sur pied d'un groupe de génie et d'instruction dans les organismes du GEM de troisième échelon.
6. Bien que les organismes de soutien de troisième échelon soient relativement fixes en raison de leur charge de travail et de la complexité de leurs tâches, ils possèdent des éléments capables d'effectuer des opérations mobiles en appui des troupes de division et du corps d'armée. Par conséquent, certains éléments des organismes du GEM de troisième échelon, y compris les ressources de dépannage et celles qui sont chargées de soutenir les troupes du corps et de renforcer les formations subalternes, restent capables d'effectuer des opérations mobiles.
7. Il est préférable d'utiliser des installations civiles dotées de grosses grues lorsqu'il faut procéder à la remise en état, à la récupération et à la remise à neuf d'équipements majeurs. Les éléments de la brigade de maintenance qui effectuent ces travaux sont relativement fixes. Les déplacer prend beaucoup de temps et mobilise des moyens de transport considérables.

## **MODE DE FONCTIONNEMENT**

8. En général, les ateliers de réparation d'équipements lourds et moyens sont installés dans de gros bâtiments de type industriel qu'on trouve habituellement dans les villes. Les bâtiments qui conviennent le mieux sont dotés de grues géantes et se prêtent à l'installation de chaînes de montage. Les remises en état et à neuf de l'équipement important se font constamment, alors que celles de l'équipement, des composants et des ensembles mineurs sont effectuées au besoin.
9. Le bataillon de dépannage du COSCA fournit les services de récupération de troisième échelon au corps d'armée. Il doit notamment aller récupérer l'équipement aux points de

rassemblement du matériel envoyé à l'arrière (PEVAR) des troupes de division et du corps et le transporter aux installations de maintenance ou au PEVAR de corps; il doit aussi dépanner aux premier et deuxième échelons les unités des troupes de corps qui n'ont pas leurs propres ressources de dépannage et renforcer les ressources de dépannage divisionnaires, au besoin.

10. L'organisme de soutien du GEM de troisième échelon offre un troisième type de services : renforcer les services de maintenance d'une division, d'un groupe-brigade indépendant ou d'une formation de troupe de corps. Les éléments de l'organisme du GEM de troisième échelon doivent être en mesure de se joindre à la formation qu'ils soutiennent, en plus d'être aussi mobiles que l'organisme du GEM de deuxième échelon. Pour ce faire, l'organisme du GEM de troisième échelon doit disposer d'éléments dotés de véhicules spécialement équipés (VSE), chenillés ou à roues.

11. Les organismes du GEM des premier et deuxième échelons effectuent les réparations nécessaires; l'équipement est ensuite retourné à l'unité. Lorsqu'on détermine que la réparation d'une pièce d'équipement dépasse les capacités de l'organisme de deuxième échelon, l'article est envoyé à l'arrière par le biais soit du système de maintenance, soit du système d'approvisionnement. L'unité est alors autorisée à demander que l'article soit remplacé. Une fois les travaux de troisième échelon terminés, la pièce d'équipement est remise à la brigade d'approvisionnement qui, à son tour, l'envoie à une formation. Par conséquent, la majorité des équipements dont s'occupe l'organisme du GEM de troisième échelon sont remis directement à l'organisme d'approvisionnement de troisième échelon.

## SECTION 2

### L'ORGANISME DU GEM DE TROISIÈME ÉCHELON

#### INTRODUCTION

12. Dans le contexte d'un corps d'armée canadien, la brigade de maintenance du COSCA est le seul organisme du GEM de troisième échelon.

13. L'organisation de la brigade de maintenance du COSCA est décrite dans la présente et chacun de ses éléments y est présenté en détail.

#### ORGANISATION

14. La brigade de maintenance du COSCA comprend un quartier général de brigade, un bataillon d'ateliers (atel) lourds du GEM, un bataillon d'ateliers moyens du GEM, un bataillon de dépannage et de récupération (réc) et un bataillon de génie et d'instruction technique (instr tech). L'organisation de la brigade de maintenance du COSCA est donnée à la figure 6-1.

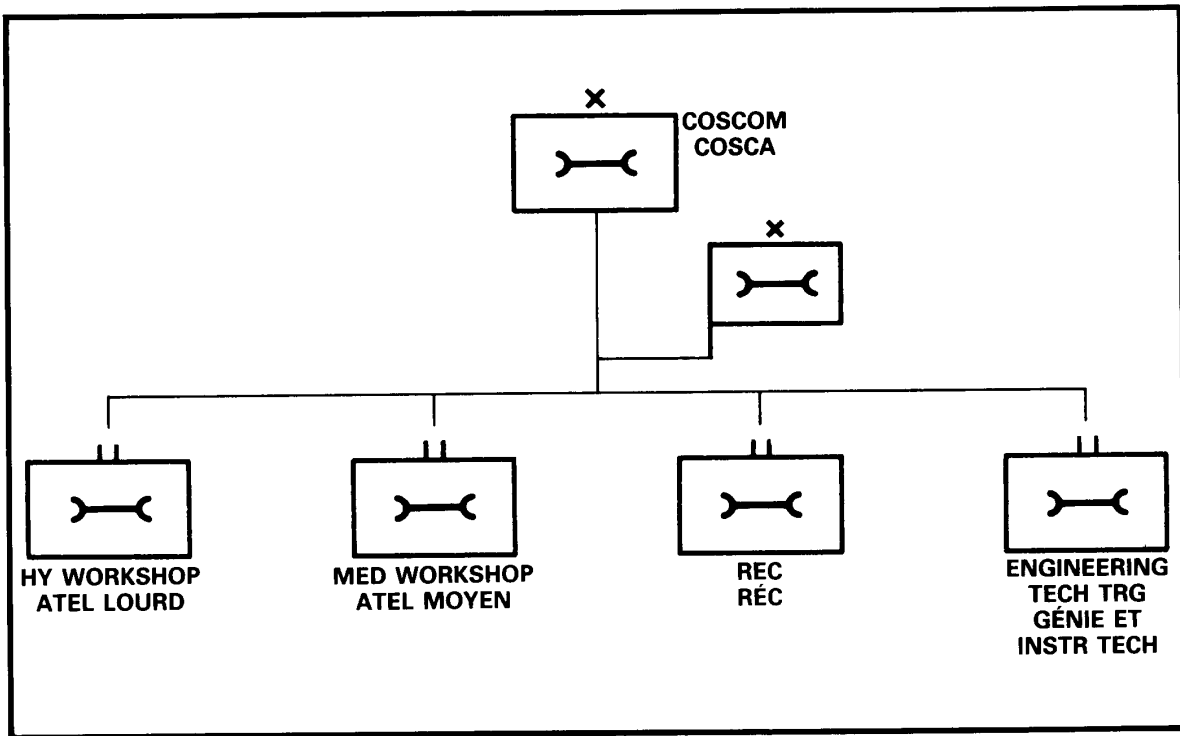


Figure 6-1 La brigade de maintenance du COSCA



## LE QUARTIER GÉNÉRAL DE LA BRIGADE DE MAINTENANCE

15. La brigade de maintenance du COSCA est bel et bien un organisme de la taille d'une Formation. De ce fait, le commandant dispose d'un escadron du commandement et des transmissions en appui de son quartier général et de son état-major. L'état-major aide le commandant à exercer le commandement et contrôle de la brigade et à jouer son rôle de conseiller supérieur du GEM auprès du corps. L'organisation du quartier général de la brigade de maintenance est donnée à la figure 6-2.

16. Le quartier général de la brigade de maintenance renferme les sections G1, G2, G3, G4 et G5 qui sont chargées des fonctions suivantes :

- a. **G1 (Personnel) (Pers).** Cette section donne au commandant des conseils en matière de personnel, notamment sur l'instruction, l'administration, le bien-être et les finances de tout le personnel du GEM de la brigade et du corps d'armée.
- b. **G2 (Service des renseignements) (Rens).** Cette section conseille et renseigne le commandant sur la situation du renseignement tactique et lui communique le renseignement technique sur l'équipement ennemi.
- c. **G3 (Opérations) (Ops).** Cette section contrôle les opérations et l'instruction de la brigade au jour le jour et conseille le commandant en ces matières. Elle comprend des sous-sections chargées de la sécurité de la zone arrière, du dépannage, de l'envoi de l'équipement à l'arrière et de la maintenance de premier et de deuxième échelons.
- d. **G4 (Logistique) (Log).** Cette section conseille le commandant sur le soutien logistique nécessaire à la brigade et en contrôle la prestation. Des sous-sections s'occupent des pièces de rechange, du transport, de la maintenance, du logement et du déplacement des services administratifs.
- e. **G5 (Coopération civile et militaire) (COCIM).** La section de la coopération civile et militaire (COCIM) conseille le commandant sur la coordination de l'emploi des ressources civiles qui peuvent s'avérer nécessaires à la brigade de maintenance et en harmonise la coordination. Le G5 comprend la sous-section de la liaison avec les organismes civils et les gouvernements, celles des installations, de la main-d'oeuvre civile et des paiements. (La sous-section des paiements traite des questions financières liées à la collaboration des populations locales.)

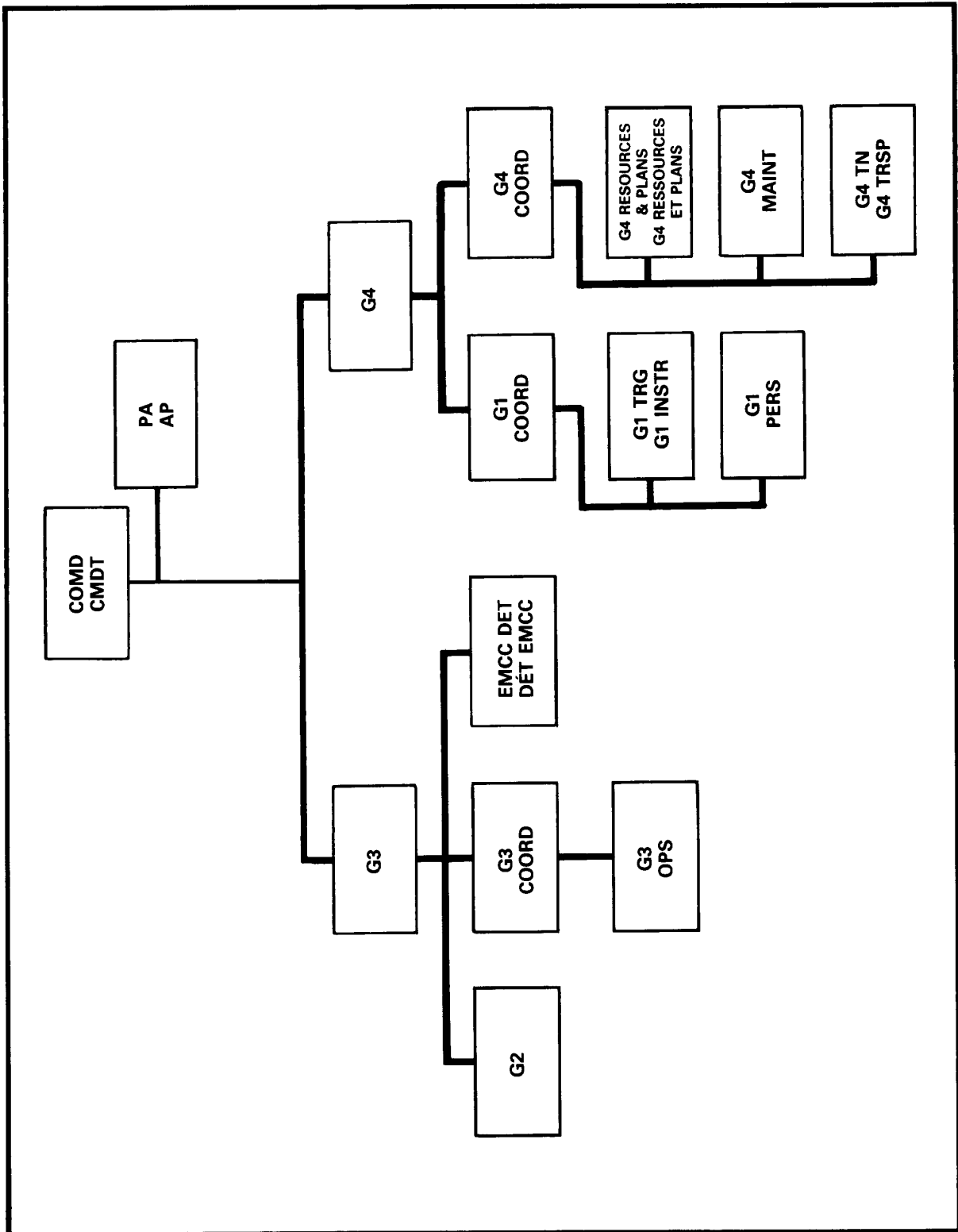


Figure 6-2 Quartier général de la brigade de maintenance

## LE BATAILLON D'ATELIERS LOURDS DU COSCA

17. Le bataillon d'ateliers lourds du COSCA effectue la majorité des réparations de troisième échelon du corps qu'il soutient. La figure 6-3 en montre l'organisation.

18. Comme le bataillon a souvent besoin de chaînes de montage, il doit pouvoir s'installer dans de grandes installations civiles. En plus, il peut également avoir besoin de civils en raison de ses besoins importants en main-d'oeuvre et en expertise technique.

19. **Le poste de commandement du bataillon.** Le bataillon possède un petit poste de commandement comprenant la cellule des opérations, la cellule administrative et le bureau de contrôle du bataillon. C'est à ce bureau qu'on remplit les rapports et les comptes rendus demandés et qu'on surveille l'avancement des travaux.

20. **La compagnie des véhicules.** Cette compagnie est responsable de la maintenance de troisième échelon des véhicules, notamment de la remise en état, de la réparation, de la modification du matériel, etc. Elle comprend un poste de commandement et quatre pelotons :

- a. **le peloton des véhicules lourds** s'occupe de la maintenance de troisième échelon des blindés et des véhicules lourds, à roues, comme les matériels du génie;
- b. **le peloton des véhicules légers** assure la maintenance du reste des véhicules à roues ainsi que des assemblages et des composants;
- c. **le peloton de levage des matériels lourds** est chargé de faire fonctionner le matériel de levage, telles les grues des chaînes de montage; et
- d. **le peloton de réception et de retour du matériel** vérifie les véhicules avant et après la maintenance du GEM.

21. **La compagnie des armes et de l'électronique.** Cette compagnie est organisée de manière à fournir les services de maintenance de troisième échelon, y compris la réparation, la remise en état, la modification de tout l'équipement, sauf des radars et des véhicules qui sont du ressort des services du GEM. Elle comprend un poste de commandement et les pelotons suivants :

- a. le peloton des armes;
- b. le peloton de l'optique électronique;
- c. le peloton de l'électronique; et
- d. le peloton des matériaux.

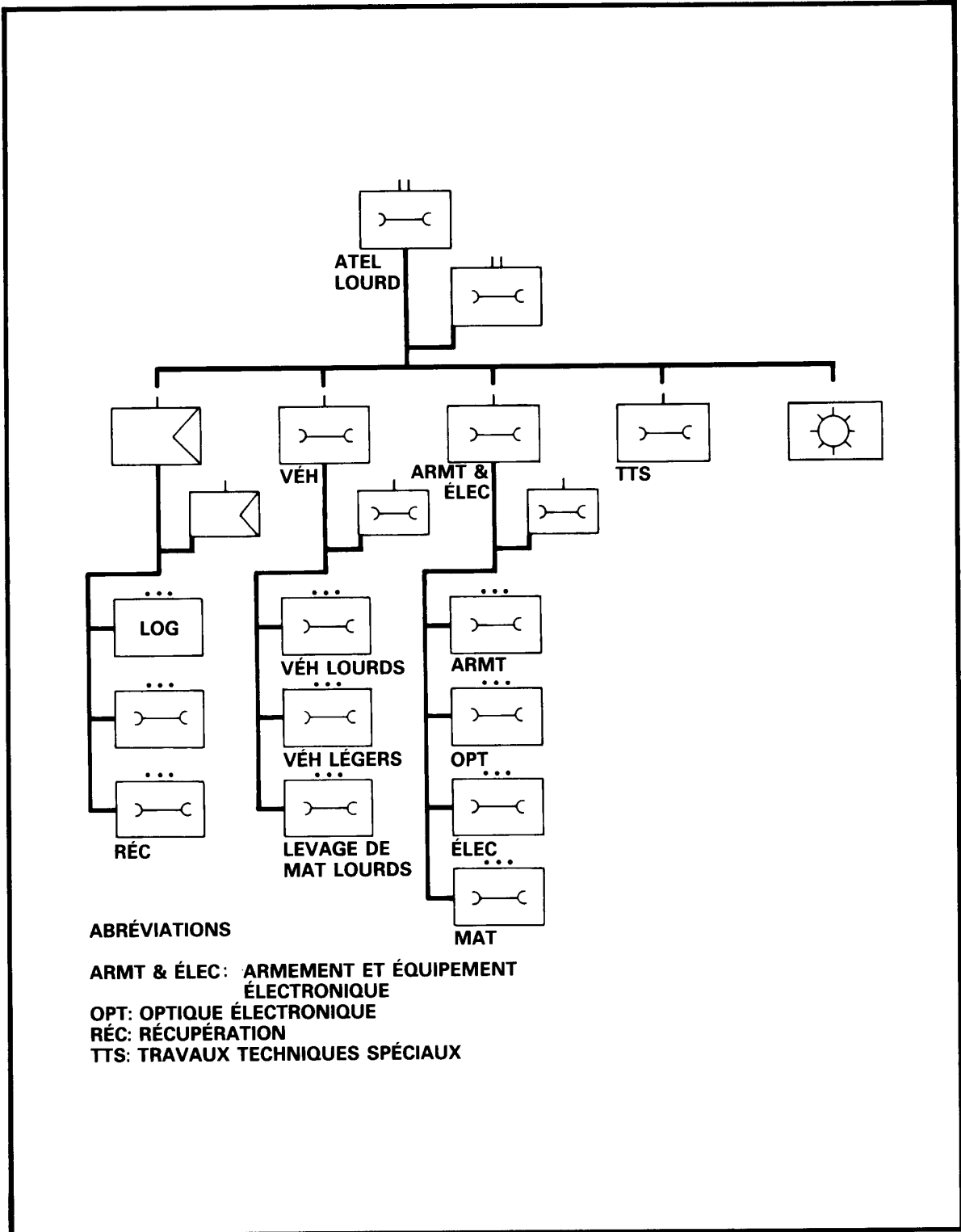


Figure 6-3 Un bataillon d'ateliers lourds du COSCA

22. **La compagnie des travaux techniques spéciaux.** Cette compagnie est chargée de concevoir et d'installer les chaînes de montage qu'utilisent les compagnies des véhicules, des armes et de l'électronique. Le nombre de pelotons qu'elle comprend varie en fonction de la quantité de chaînes de montage en usage. Elle peut devoir compter sur une main-d'oeuvre civile importante.

23. **La compagnie d'administration.** Cette compagnie fournit au bataillon le soutien administratif de premier échelon. Elle comprend un poste de commandement et les pelotons suivants :

- a. **le peloton des mouvements,** chargé de surveiller le déplacement de l'équipement à destination et en provenance du service d'approvisionnement. Il doit également fournir le transport de premier échelon au bataillon d'ateliers lourds du COSCA;
- b. **le peloton du dépannage,** chargé de la récupération des pièces;
- c. **le peloton des pièces de rechange;** et
- d. **le peloton de maintenance,** chargé d'entretenir l'équipement du bataillon, y compris celui des chaînes de montage.

## **LE BATAILLON D'ATELIERS MOYENS DU COSCA**

24. Le bataillon d'ateliers moyens du GEM de la brigade de maintenance du COSCA est chargé de fournir les services de soutien de deuxième échelon aux troupes de corps et de renforcer les divisions. Son organisation est donnée à la figure 6-4.

25. Le bataillon d'ateliers moyens comprend une compagnie avancée de maintenance de véhicules lourds, deux compagnies avancées de maintenance d'accessoires, deux compagnies avancées de maintenance de véhicules légers, un groupe de maintenance principal et une compagnie d'administration.

26. **La compagnie avancée de maintenance de véhicules lourds.** Cette compagnie comprend des équipes mobiles de réparation (EMR) qui réparent les chars, les canons automoteurs et le matériel de génie en zone avancée. Des pelotons ou des sections de maintenance peuvent être détachés auprès de formations et d'unités d'artillerie, de cavalerie blindée et de génie du corps d'armée afin de fournir un soutien direct. De plus, certains éléments peuvent être adjoints aux divisions et aux groupes-brigades. La compagnie est composée des éléments suivants :

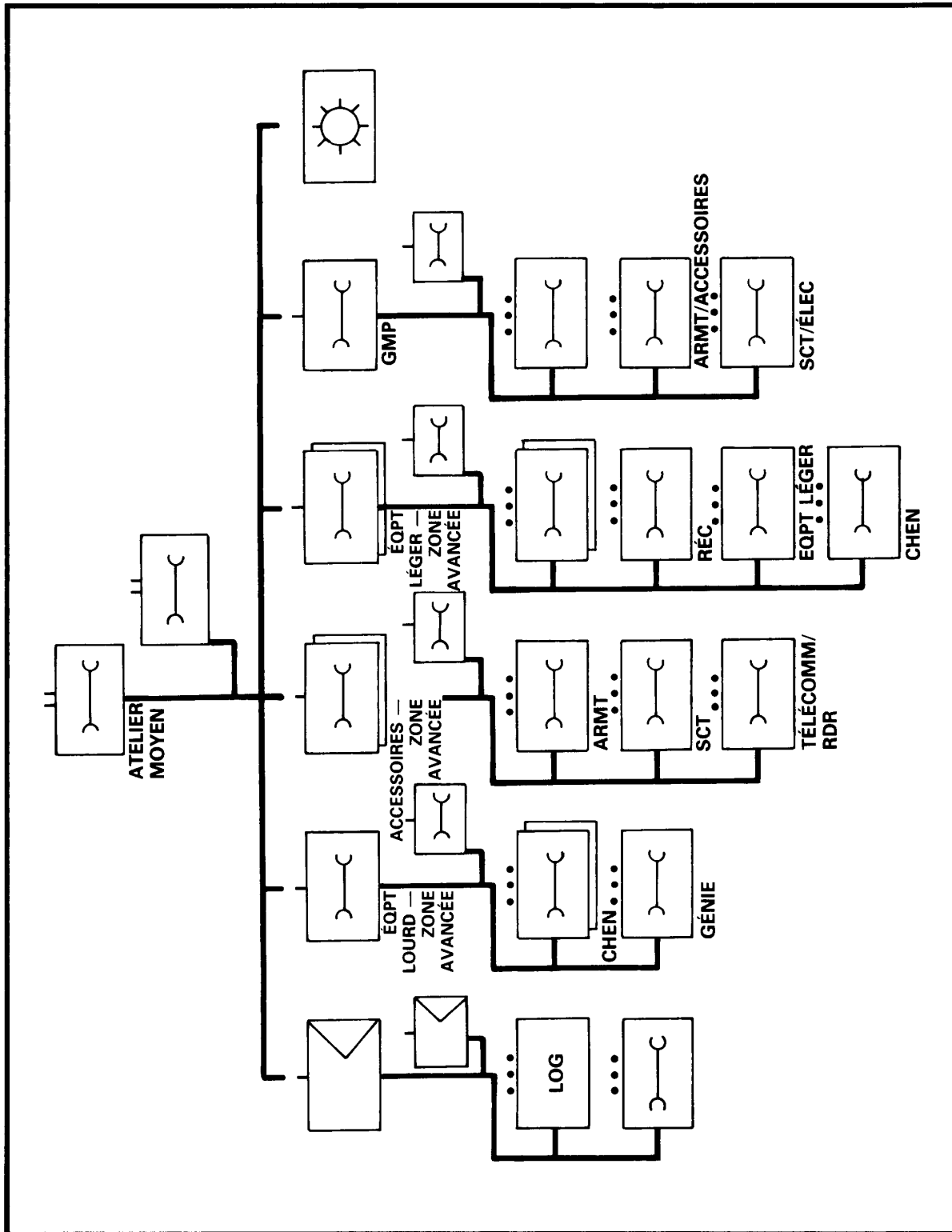


Figure 6-4 Le bataillon d'ateliers moyens du COSCA

- a. **Pelotons d'EMR dotés de chenillés.** Ces pelotons sont dotés de chenillés de réparation qui leur permettent de fournir les services du GEM de deuxième et de troisième échelons en zone avancée. Ils réparent les chars, les véhicules de combat d'infanterie et les canons automoteurs.
- b. **Peloton d'EMR du génie.** Ce peloton est doté de véhicules de réparation, chenillés, lourds et spécialement équipés pour la réparation de véhicules du génie.

27. **Les compagnies avancées de maintenance d'accessoires.** Deux compagnies effectuent, en zone avancée, la maintenance de deuxième et troisième échelons des accessoires du corps. Elles doivent, en premier lieu, soutenir les formations et les unités des troupes du corps d'armée et, en second lieu, renforcer les divisions et les groupes-brigades. Chaque compagnie comprend les pelotons suivants :

- a. **Le peloton de l'armement (armt).** Ce peloton est doté de chenillés lourds et moyens, spécialement équipés pour transporter l'outillage et l'équipement d'essai nécessaires à la réparation des armes et des systèmes d'armes (sauf les missiles).
- b. **Le peloton du système de conduite du tir (SCT).** Ce peloton est doté de chenillés lourds pour transporter l'équipement d'essai et l'outillage lui permettant de réparer en zone avancée les systèmes de missiles, les systèmes d'optique électronique et les systèmes électroniques.
- c. **Le peloton des télécommunications (télécom) et des radars (rdr).** Ce peloton est doté de chenillés lourds, équipés pour transporter l'équipement d'essai et l'outillage nécessaires à la réparation en zone avancée de l'équipement de télécommunications non protégées et des systèmes radars.

28. **Les compagnies avancées de maintenance de véhicules légers.** Deux compagnies identiques réparent en zone avancée les blindés légers et les véhicules à roues hautement prioritaires. Elles offrent des services mobiles de soutien et, dans une certaine mesure, des services fixes. Certains éléments de ces compagnies sont habituellement placés en appui de la brigade de cavalerie blindée du corps d'armée et des divisions. Chaque compagnie comprend :

- a. **Les pelotons de véhicules,** chargés de fournir un soutien de deuxième échelon aux troupes du corps. Ils sont dotés de chenillés lourds pour transporter l'outillage et l'équipement d'essai qui leur permettent d'apporter des renforts aux GSD.
- b. **Le peloton du dépannage,** doté de véhicules de dépannage chenillés, moyens et lourds. Il est habituellement affecté à la récupération du matériel des troupes du corps, mais peut également prêter main forte aux ressources de dépannage d'autres formations et aux unités de troupes du corps.

- c. **Le peloton de blindés légers (VBL)**, doté de véhicules-ateliers (EMR) lui permettant de réparer les VBL. Normalement, il est chargé d'assurer le soutien de la brigade de cavalerie blindée, du groupe-brigade et d'autres troupes du corps d'armée, l'accent étant mis sur la réparation des véhicules blindés légers.
- d. **Le peloton de véhicules légers**, doté de véhicules à roues servant normalement au soutien des unités administratives du corps. Lorsqu'on adjoint aux divisions des éléments de transport, d'approvisionnement ou d'autres éléments administratifs, il est courant de détacher également une partie du peloton des véhicules légers pour qu'il leur fournisse le soutien nécessaire.

29. **Le groupe de maintenance principal.** Ce groupe, gros comme une compagnie, fournit, à partir de la zone administrative du corps d'armée, le soutien de maintenance de deuxième échelon aux autres troupes du corps qui se trouvent dans cette même zone. Il comprend :

- a. le peloton de réparation des véhicules;
- b. le peloton de réparation de l'armement et des accessoires; et
- c. le peloton des systèmes de conduite du tir et des équipements électriques.

30. **La compagnie d'administration.** Cette compagnie est organisée selon le même modèle que la précédente et fournit le soutien de premier échelon au bataillon d'ateliers moyens du GEM.

## **LE BATAILLON DU DÉPANNAGE**

31. Le bataillon du dépannage du COSCA fournit le soutien au dépannage de troisième échelon aux éléments du corps d'armée, et de deuxième échelon aux unités des troupes du corps. Il possède également les ressources lui permettant de venir en aide aux divisions et aux groupes-brigades. L'organisation d'un bataillon du dépannage est donnée à la figure 6-5.

32. **Les compagnies du dépannage des matériels moyens.** Ces trois compagnies identiques sont mises sur pied pour fournir le soutien nécessaire aux divisions. Chacune est dotée de véhicules de dépannage à roues et chenillés et de transporteurs de chars. Une des compagnies est également affectée au soutien des troupes du corps d'armée. Chaque compagnie comprend :

- a. **Trois pelotons du dépannage des véhicules à roues.** Ces pelotons sont dotés de véhicules moyens de dépannage à roues.
- b. **Le peloton du dépannage des chenillés.** Ce peloton est doté de véhicules lourds de dépannage à roues en vue du dépannage au troisième échelon de chars et d'autres chenillés.
- c. **Le peloton du dépannage des chars.** Ce peloton est doté d'un très grand nombre de transporteurs de chars.



33. **La compagnie du dépannage des matériels lourds.** Cette compagnie a pour principale fonction non seulement d'établir et de contrôler les points de rassemblement du matériel envoyé à l'arrière (PEVAR) des divisions et des troupes du corps d'armée, mais encore de transporter les véhicules endommagés des PEVAR à une installation de maintenance de troisième échelon ou au PEVAR du corps. La compagnie se compose des pelotons suivants :

- a. **Le peloton du dépannage des véhicules à roues.** Doté de dépanneuses moyennes à roues, ce peloton est chargé de remorquer tous les véhicules à roues endommagés à partir des PEVAR jusqu'à la brigade de maintenance ou du PEVAR du corps.
- b. **Le peloton de transporteurs de chars.** Doté de transporteurs de chars, ce peloton est chargé de transporter l'équipement à l'arrière, soit des PEVAR divisionnaires jusqu'à la brigade de maintenance. En outre, le peloton de transporteurs de chars est souvent affecté aux formations blindées au cours de longs trajets sur route.

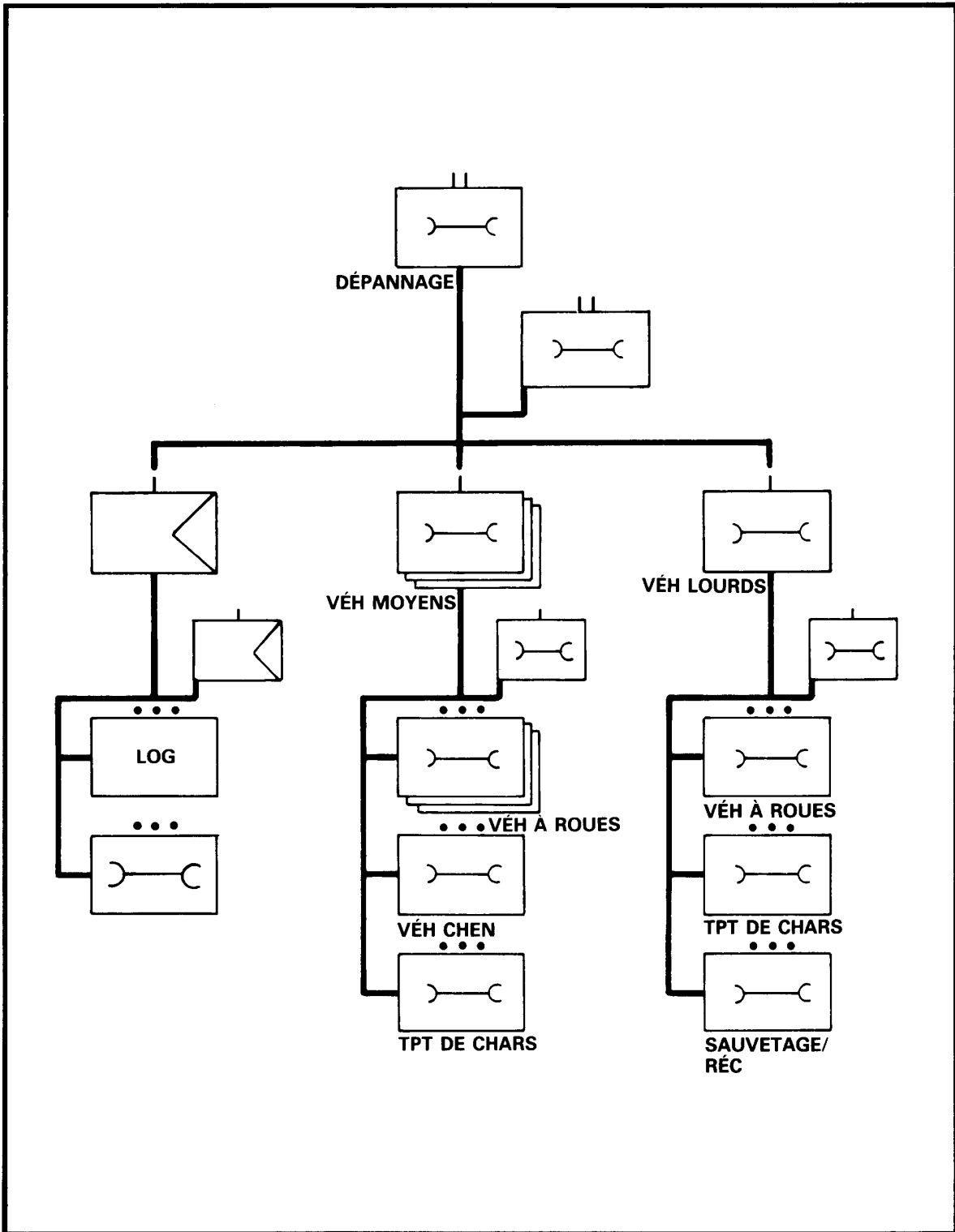


Figure 6-5 Le bataillon du dépannage du COSCA

- c. **Le peloton de dépannage (sauvetage et récupération).** Doté de véhicules lourds, à roues, servant à soulever les véhicules et le matériel qui ne peuvent être tirés parce que trop endommagés, ce peloton possède habituellement des sections avancées dans chaque PEVAR. Ces sections chargent les véhicules et le matériel sur tout véhicule vide se rendant à l'arrière et capable de transporter la charge. Ce peloton travaille en étroite collaboration avec le peloton de transporteurs de chars.

34. **La compagnie d'administration.** Cette compagnie fournit le soutien de premier échelon au bataillon du dépannage. Elle est organisée de la même façon que l'autre compagnie d'administration.

### LE BATAILLON DU GÉNIE ET DE L'INSTRUCTION TECHNIQUE

35. Le bataillon du génie et de l'instruction technique est organisé de façon à rédiger les instructions et les directives concernant la réparation et la modification de l'équipement et à donner l'instruction technique du GEM aux éléments du corps d'armée. Il se compose d'un groupe du génie, d'un groupe d'instruction technique (instr tech) et d'un peloton d'administration.

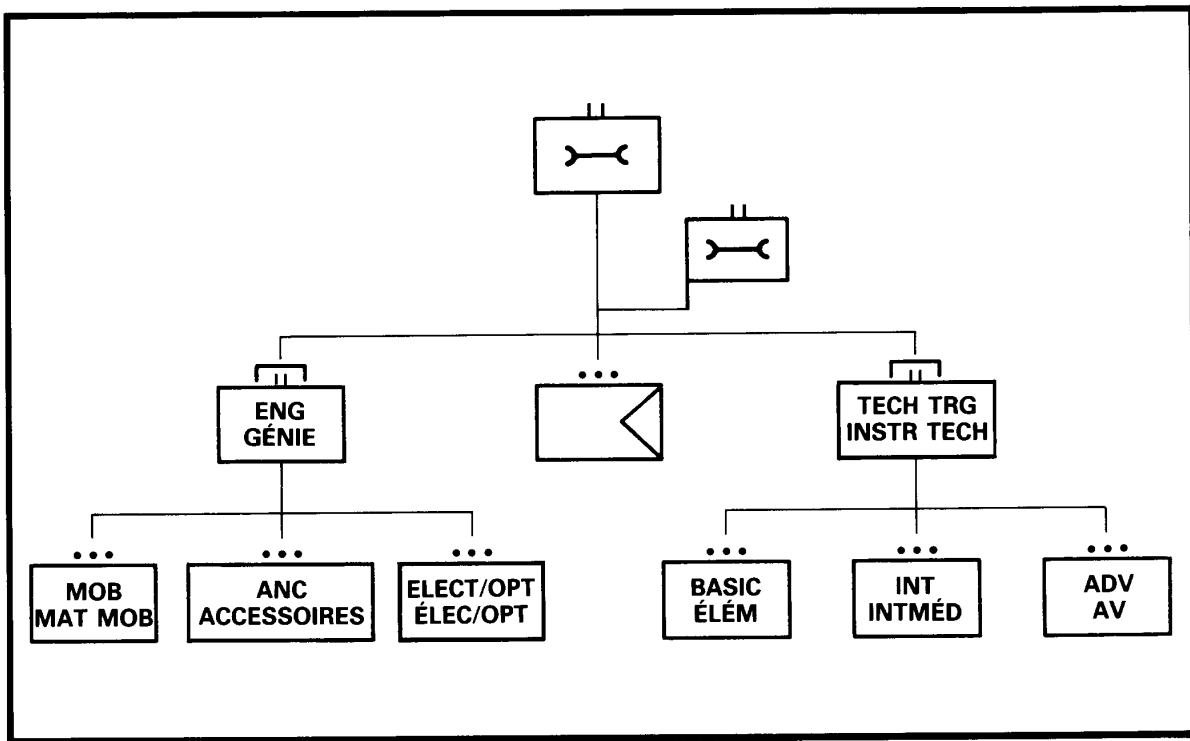


Figure 6-6 Le bataillon du génie et de l'instruction technique du COSCA

- 36. **Le groupe du génie.** Ce groupe remplit les fonctions suivantes :
  - a. il établit les barèmes de dotation en pièces de rechange pour tout l'équipement du corps;

- b. il rédige les directives et les instructions relatives à la réparation de tout l'équipement du corps; et
- c. il met au point, essaye et rédige les modifications pour tout l'équipement du corps.

37. Le groupe du génie est organisé de manière à répondre aux besoins de maintenance de l'équipement que possède le corps d'armée et comprend trois pelotons :

- a. **Le peloton du matériel mobile (mat mob)** est chargé de réparer les véhicules à roues et chenillés.
- b. **Le peloton des accessoires** est chargé de maintenir les armes ainsi que l'équipement lié aux matériaux et d'établir les marches à suivre appropriées.
- c. **Le peloton de l'équipement électro-optique (élec/opt)** est chargé d'entretenir et de réparer les systèmes de conduite du tir ainsi que les équipements électriques et ceux des télécommunications non protégées.

38. **Le groupe de l'instruction.** Ce groupe a pour principale tâche de donner l'instruction technique (instr tech) du GEM aux éléments du corps d'armée. L'instruction qu'il offre porte sur ceci :

- a. les méthodes élémentaires de neutralisation des munitions explosives (NME), méthodes liées à l'équipement endommagé;
- b. la réparation des dommages causés au combat;
- c. le dépannage d'urgence; et
- d. l'initiation au nouvel équipement.

39. Le groupe de l'instruction se compose de trois pelotons :

- a. **Le peloton de l'instruction élémentaire (instr élém)**, qui regroupe la majorité des instructeurs et qui donne des cours à tous les techniciens du GEM.
- b. **Le peloton de l'instruction intermédiaire (instr intméd)**, qui donne les cours destinés à tout le personnel supérieur du GEM chez les militaires du rang (MR).
- c. **Le peloton de l'instruction avancée (instr av)**, qui enseigne aux officiers et aux sergents quartiers-mâîtres électriciens et techniciens (SOMET) du GEM.

40. **Le peloton de l'administration.** Ce peloton s'occupe des activités administratives courantes qu'il faut pour soutenir le reste du bataillon. Il comprend une section de maintenance, une salle des rapports d'unité, un centre de traitement pour stagiaires, du personnel de soutien et une section des approvisionnements.

## **SECTION 3**

### **LES ÉTATS-MAJORS DU GEM DES QUARTIERS GÉNÉRAUX DU COSCA ET DU CORPS D'ARMÉE**

#### **INTRODUCTION**

41. En raison de ses effectifs et de sa complexité, le corps comprend deux quartiers généraux : le quartier général principal et le quartier général arrière. Dans le premier, on trouve le commandant du corps d'armée, l'état-major des opérations et les conseillers en matière d'armes de combat et de soutien au combat. Cet état-major se concentre sur le combat que livre le corps.

42. Dans la présente section, on traite des états-majors du GEM des quartiers généraux du corps d'armée et du COSCA.

#### **L'ÉTAT-MAJOR DU GEM DU QUARTIER GÉNÉRAL DU CORPS D'ARMÉE**

43. L'état-major du GEM du quartier général du corps d'armée est dirigé par un lieutenant-colonel du GEM, le G4 Maint. L'organisation de l'état-major est donnée à la figure 6-7.

44. Voici les tâches du G4 Maint :

- a. conseiller le commandant du corps d'armée et son état-major des opérations sur tous les aspects du GEM qui influent sur les opérations en cours ou à venir;
- b. rencontrer les états-majors du GEM de la Z COMM, de la division et du COSCA pour discuter de toute question portant sur le génie électrique et mécanique;
- c. rédiger les parties des ordonnances, des instructions et des directives administratives du corps portant sur le GEM;

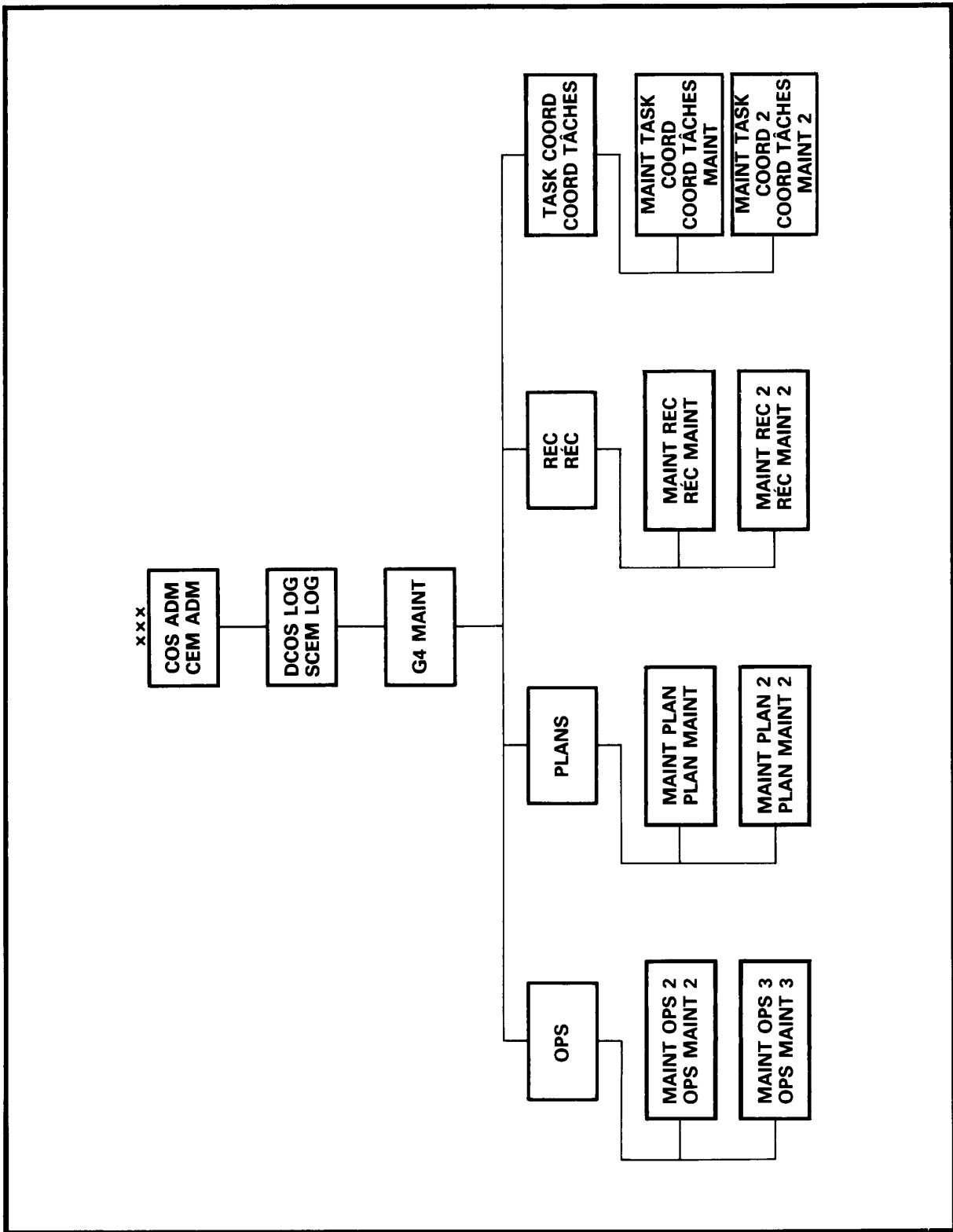


Figure 6-7 L'état-major du GEM du quartier général du corps d'armée

- d. établir, au nom du commandant, des lignes de conduite en matière de GEM pour le corps d'armée, notamment sur la gestion du personnel du GEM, l'affectation des formations et des unités du GEM et l'emploi des ressources du GEM;
  - e. surveiller l'établissement des barèmes de dotation en pièces de rechange dans le corps d'armée;
  - f. surveiller l'établissement des rapports et des comptes rendus liés au GEM ainsi que des données d'atelier relatives à chaque type d'équipement; et
  - g. planifier les inspections techniques à l'échelle du corps d'armée.
45. Le G4 Maint dispose d'un vaste état-major comprenant :
- a. une section du personnel du GEM et de l'instruction qui contrôle les affectations, la gestion et l'instruction du personnel;
  - b. une section des opérations, de la planification et des tâches du GEM qui s'occupe de planifier et de contrôler les activités du GEM en cours et à venir. De plus, cette section comprend une cellule qui coordonne les affectations des ressources du GEM;
  - c. une section de spécialistes en équipement du GEM qui surveillent la promulgation des instructions de maintenance relatives à chaque type d'équipement; et
  - d. une section des installations et des ressources dont les cellules contrôlent le traitement automatique des données, l'outillage, les VSE ainsi que l'établissement des barèmes de dotation en pièces de rechange.

## **L'ÉTAT-MAJOR DU GEM DU QUARTIER GÉNÉRAL DU COSCA**

(Sera publié à une date ultérieure)

## **CHAPITRE 7**

### **DÉPLOIEMENT ET MANOEUVRES TACTIQUES DES ORGANISMES DU GEM**

#### **SECTION 1**

#### **GÉNÉRALITÉS**

##### **INTRODUCTION**

1. Les pelotons, les compagnies et les bataillons du GEM se déploient selon les ordres du commandant de l'organisme d'appartenance. Le déploiement de chaque unité répond à des besoins bien particuliers. Chaque unité doit être déployée de manière à fournir les meilleurs services possibles. Le présent chapitre traite des éléments qui influent sur le déploiement et les manoeuvres tactiques des organismes du GEM sur le champ de bataille.

##### **DÉFENSE ET PROTECTION**

2. Dans la doctrine de l'ennemi, les éléments de soutien au combat sont classés parmi les premières cibles à détruire. En effet, l'ennemi déploie d'énormes efforts pour localiser et détruire les éléments en profondeur, dont les organismes du GEM. Pour supprimer les installations en profondeur, il a recours à des attaques aériennes, au tir d'artillerie et de roquettes non guidées ainsi qu'à des assauts aéromobiles ou aéroportés. De plus, il y a menace de sabotage par des partisans ou des agents ennemis. Les contacts possibles avec des unités ennemies pénétrant dans les zones en profondeur restent encore la menace la plus sérieuse.

3. On constate donc qu'en regard des graves dangers qui pèsent sur elles, les unités du GEM ne peuvent survivre au combat que si elles réussissent à contrer la menace en se défendant et en se protégeant. Voici les principaux points à retenir des IPO pour défendre et protéger les organismes du GEM :

- a. les restrictions concernant les déplacements de jour;
- b. la ligne de conduite couramment adoptée pour les déplacements d'un endroit à un autre afin d'éviter que l'ennemi localise les emplacements du GEM;
- c. le respect des consignes, relativement aux pistes, au bruit et à l'éclairage;
- d. les mesures à prendre au contact de l'ennemi;
- e. la mise en place de sentinelles, de postes d'écoute et de patrouilles;
- f. la connaissance et les normes d'instruction reliées à toutes les armes que possède l'unité et à l'équipement visé par les services de maintenance;
- g. le contrôle du mouvement du personnel civil dans les zones locales;



- h. le signalement de la présence de l'ennemi et de ses manoeuvres et les mesures à prendre pour faire disparaître la menace;
- j. les dispositions que doivent prendre les EMR et les équipes de dépannage en se déplaçant sur le champ de bataille, y compris la façon d'assurer la sécurité de la zone dans laquelle la réparation ou le dépannage doit avoir lieu;
- k. le contrôle des émissions infrarouges, par exemple celles provenant des génératrices;
- m. la disposition des organismes du GEM;
- n. la procédure radiophonique, y compris les méthodes à adopter lorsque le silence radio ou électronique est imposé; et
- p. le recours aux couverts et aux tranchées.

## EMPLACEMENTS

4. L'emplacement idéal d'un organisme du GEM dépend des besoins de la formation ou de l'unité en matière de soutien. Toutefois, l'emplacement des organismes du GEM dépend surtout du terrain disponible. De par leur rôle, les unités d'armes de combat et de soutien au combat sont habituellement placées en zones avancées. Or, il est souvent impossible de disposer les éléments du GEM près des unités qu'ils ont à soutenir. Les commandants des organismes du GEM doivent alors envisager une solution de rechange pour apporter le soutien nécessaire : adjoindre des éléments aux unités pour un soutien direct, déployer des groupes avancés de réparation ou recourir à toute autre méthode pour assurer la mobilité des services.

5. En plus de la répartition des unités sur le terrain, dont il a été question ci-dessus, l'emplacement des organismes du GEM dépend habituellement des facteurs suivants :

- a. **Situation tactique.** Le commandant d'unité ou de formation détermine comment le combat doit être vraisemblablement livré et place les ressources du GEM là où les techniciens pourront assurer le soutien nécessaire. Au cours d'une attaque ou d'une poursuite, les organismes du GEM ont plutôt tendance à se placer loin derrière les unités de tête, mais à déployer souvent des ressources de maintenance en zone avancée. En défense, les organismes du GEM ont tendance à se rapprocher beaucoup plus des unités de tête pour fournir des services avec plus de rapidité. En repli, ils se trouvent habituellement parmi les premiers éléments à se replier pour s'établir à un nouvel emplacement. Ainsi, ils se tiennent prêts à fournir les services de soutien au fur et à mesure que les unités de manoeuvres terminent leur repli.
- b. **Dissimulation à l'observation terrestre et aérienne.** Les organismes du GEM en mouvement ne sont pas en mesure d'exécuter les tâches qui leur incombent. Pour

être productifs, ils doivent demeurer en place pendant des périodes dont la durée varie surtout en fonction des niveaux de maintenance offerts. Par conséquent, un peloton de maintenance d'unité jouit d'une plus grande liberté de mouvement qu'un bataillon de maintenance du GSD. Pour toutes ces raisons, les organismes du GEM sont vulnérables aux attaques aériennes et terrestres. Pour se dissimuler le plus possible, les organismes du GEM se déploient habituellement dans des zones boisées ou dans des villes. Voici de bons exemples de dissimulation : une équipe mobile de réparation (EMR) qui tire avantage d'un talus ou d'une zone boisée pour y réparer un char; un peloton, une troupe ou une compagnie de maintenance qui est bien dissimulé dans une zone boisée et une brigade de maintenance qui est dispersée et bien dissimulée dans un certain nombre de villes.

- c. **Possibilité d'organiser la défense des lieux.** Le secteur choisi doit se prêter à une bonne défense des lieux. On doit contrôler l'accès au secteur, en ayant soin de bloquer complètement les routes et les sentiers qui ne servent pas à la maintenance. On doit déceler les emplacements d'hélicoptères et d'avions ennemis potentiels, puis les rendre inaccessibles ou les surveiller. Pour que le plan de défense locale soit complet, il doit être connu de tout le personnel, et les activités doivent être coordonnées avec les unités avoisinantes.
- d. **Accès à de bons moyens de communications.** Pour assurer les services du GEM d'urgence, y compris le dépannage et les réparations sur place, il faut que les renseignements soient précis et transmis rapidement. On doit donc placer le quartier général du GEM près d'un terrain élevé pour faciliter les communications radio et près de l'itinéraire principal de ravitaillement (l'IPR) pour recevoir les messagers et obtenir les renseignements utiles en provenance de tout véhicule qui revient de la zone avancée. Ceci est tout particulièrement important pendant les périodes de silence radio ou électronique.
- e. **Possibilité d'être à l'abri des intempéries.** Le gros de l'équipement dont est doté le corps d'armée est très sophistiqué et sensible à la poussière, au sable, au froid, à l'eau et au vent. Les organismes du GEM aux effectifs restreints sont habituellement munis de certains abris offrant la protection nécessaire. Ils peuvent cependant renforcer cette protection en s'abritant derrière des éléments naturels ou en s'installant dans de grands bâtiments comme les usines ou les granges.
- f. **Possibilité de faire travailler le GEM.** L'emplacement choisi doit permettre à l'organisme du GEM de mener à bien ses tâches, et ce, le plus efficacement possible. Voici notamment ce dont il faut tenir compte :
  - (1) **Bons itinéraires internes.** L'emplacement doit être sillonné de routes de bonne qualité et assez nombreuses pour qu'une bonne circulation puisse se faire en sens unique dans la mesure du possible.
  - (2) **Accès aux itinéraires principaux de ravitaillement (IPR).** Étant donné que les EMR et les véhicules de dépannage empruntent les IPR dans leurs

déplacements entre les zones avant et arrière, il est souhaitable qu'ils puissent y accéder directement ou, à tout le moins, qu'ils puissent emprunter les routes latérales qui rejoignent les IPR.

- (3) **Aire en dur.** Au sein d'une division, les petits et les gros équipements sont réparés à l'arrière des véhicules de maintenance, dont la plupart sont des VSE. Étant donné le poids et la taille de ces véhicules il est essentiel qu'ils reposent sur un terrain ferme. En général, les marécages, les marais et les endroits boueux sont à éviter. De plus, il faut prévoir, près des équipes de réparation, des endroits où placer les véhicules et le gros équipement endommagés pour permettre aux techniciens d'effectuer toutes les réparations voulues.

## MOUVEMENTS

6. En général, les organismes du GEM se mettent en mouvement lorsque leur quartier général leur en donne l'ordre. Le mouvement des ressources du GEM ne présente habituellement aucune difficulté dans les divisions si un préavis raisonnable est donné, car les troupes et les pelotons de maintenance d'unité, les compagnies de maintenance des bataillons des services du GSD et les bataillons de maintenance du GSD sont dotés de ressources suffisantes pour se déplacer dans des délais assez brefs.

7. L'avis de mouvement est d'abord signifié à l'élément du GEM par le biais d'un ordre d'avertissement provenant de l'unité ou de la formation d'appartenance. Le quartier général qui émet cet ordre doit préciser :

- a. l'heure prévue du départ et le nouvel emplacement;
- b. l'heure de cessation du travail et des derniers préparatifs;
- c. tout changement dans les priorités du travail préparatoire au déplacement;
- d. la ligne de conduite en matière de dépannage, y compris l'emplacement du point de rassemblement de l'équipement (PRE) ou du point de rassemblement du matériel envoyé à l'arrière (PEVAR), si l'équipement doit être laissé à l'arrière;
- e. la liste des renforcements et des prélèvements affectés à l'organisme du GEM, y compris le moment où débute leur affectation, s'il est connu;
- f. la ligne de conduite relative à la destruction de l'équipement; et
- g. les points administratifs.

8. Après réception de l'ordre d'avertissement, on suit la procédure de combat précisée dans les IPO d'unité et de formation. Au cours des mouvements, il est normal que des équipes mobiles de réparation et de dépannage suivent chacune des unités et des formations pour pouvoir

effectuer rapidement les réparations et garder ainsi le plus grand nombre possible de véhicules en mouvement. Selon les itinéraires suivis, il peut être nécessaire d'établir des postes de dépannage à des endroits névralgiques, tels les défilés, de manière à garder les chemins ouverts.

9. En plus du mouvement des organismes du GEM, un grand nombre de véhicules du GEM se déplacent seuls ou en groupes sur le champ de bataille. Les EMR et les véhicules de dépannage répondent à la demande, et bien souvent l'envoi à l'arrière de l'équipement à partir des PRE et des PEVAR s'effectue en permanence. Il est essentiel que les mouvements autorisés soient précisés dans les IPO d'unité et de formation et que le personnel du GEM soit bien breffé par l'unité avant d'entreprendre une mission.

## **CAMOUFLAGE ET DISSIMULATION**

10. Les éléments du GEM doivent se soustraire à l'observation ennemie en se camouflant et en se dissimulant derrière des reliefs naturels ou dans des zones bâties. Les organismes du GEM utilisent un gros équipement, souvent bruyant, qu'ils arrivent à grand-peine à dissimuler. Certaines sections dans les IPO d'unité et de formation portent précisément sur la norme exigée en matière de camouflage et de dissimulation des unités.

11. Les exigences en matière de camouflage et de dissimulation varient selon les niveaux des services du GEM. Les troupes et les pelotons de maintenance, relativement petits, sont placés dans des zones proches de l'ennemi. Ils doivent répondre aux normes de camouflage et de dissimulation de l'unité de combat, d'appui au combat et de soutien au combat qu'ils soutiennent. Les compagnies de maintenance des bataillons des services se trouvent habituellement à une distance raisonnable des éléments avancés de la formation soutenue. Les exigences en matière de camouflage et de dissimulation sont les mêmes qu'au niveau du peloton ou de la troupe de maintenance d'unité en raison des possibilités de contact avec l'ennemi. Le bataillon de maintenance du GSD et les organismes du GEM de la brigade du COSCA sont beaucoup plus gros, par conséquent plus stationnaires. Pour qu'ils soient en mesure d'effectuer les travaux importants, il est préférable de les placer dans de grandes villes où les concentrations de véhicules et d'équipement sont plus difficiles à identifier par les techniques de reconnaissance aérienne.

12. La dissimulation et le camouflage dans des zones bâties posent un problème spécial aux unités et formations du GEM. En effet, autant il est facile de dissimuler un organisme à l'observation aérienne ou terrestre ennemie en se servant au maximum des bâtiments existants, autant il est difficile de dissimuler le type d'unité et ses allées et venues à la population locale où peuvent se trouver des informateurs ennemis. Les commandants doivent en tenir compte avant de permettre aux unités de se déployer dans les villes et les villages.

## SECTION 2

### DISPOSITION DES ORGANISMES DU GEM

#### INTRODUCTION

13. Lorsqu'on détermine la disposition des organismes du GEM dans un emplacement, il est nécessaire de tenir compte des besoins particuliers de chaque type de centre de travail. Quel que soit l'organisme du GEM du corps en cause, il faut tenir compte des points qui suivent pour la disposition de l'organisme :

- a. le poste de commandement devrait être situé dans un endroit central de manière à assurer sans retard le commandement et la direction de l'organisme;
- b. le bureau de contrôle doit être situé à l'entrée du secteur pour qu'il puisse contrôler l'équipement endommagé à son arrivée, puis l'acheminer aux sections appropriées;
- c. les ressources du dépannage doivent être situées près de l'itinéraire de sortie, étant donné qu'elles doivent emprunter les itinéraires principaux de ravitaillement (IPR). Avant de s'abriter, tout véhicule de dépannage peut déposer le véhicule endommagé qu'il confie à l'organisme de maintenance dans n'importe quelle section;
- d. les techniciens en systèmes de conduite du tir (SCT) réparent des équipements électroniques et d'optique électronique perfectionnés et délicats que peuvent endommager la poussière et les vibrations. Le personnel affecté à la maintenance des SCT doit donc être placé dans des endroits où il y a le moins de poussière ou de vibrations possible et avoir accès à des itinéraires réservés, c'est-à-dire à ceux qui ne peuvent emprunter les véhicules de dépannage et les autres véhicules lourds;
- e. les techniciens d'armement réparent les systèmes d'armes de tout calibre, des canons automoteurs aux pistolets. Bien que la plupart des réparations des gros systèmes d'armes soient habituellement effectuées sur place, l'organisme du GEM doit être en mesure d'effectuer les travaux là où l'équipement se trouve. Par conséquent, les sections de réparation d'armes doivent être situées non loin de routes secondaires en bon état et reliées à l'itinéraire d'accès principal. De plus, comme la majorité des systèmes d'armes sont munis d'un équipement optique hautement perfectionné dont la maintenance est assurée par des techniciens en systèmes de conduite du tir, les sections de réparation d'armes doivent se trouver près des sections de maintenance des systèmes de conduite du tir;
- f. l'équipement de communications et les radars sont également sensibles à la poussière et aux vibrations; c'est pourquoi on doit les réparer loin des principaux itinéraires internes;

- g. les sections de réparations des véhicules mobilisent habituellement la majorité des techniciens et des véhicules de l'organisme du GEM. Elles doivent avoir accès à de bons itinéraires internes pour que les véhicules de dépannage puissent y livrer les véhicules endommagés. De plus, il faut prévoir suffisamment d'espace près de chacune des équipes de réparation pour qu'on puisse y laisser les véhicules endommagés. Les EMR sont habituellement placées près de l'itinéraire de sortie pour qu'il leur soit facile d'accéder à l'IPR;
- h. les techniciens de matériaux sont généralement appelés à fournir les services du soutien à d'autres sections de l'organisme du GEM. Les sections de soudage font beaucoup de bruit et de poussière et, comme leur travail est surtout lié aux véhicules, il est avantageux de les placer près des ressources de réparation des véhicules; et
- j. comme tous les techniciens du GEM ont besoin de pièces de rechange, l'alternative quant à savoir où placer la section des pièces de rechange se présente comme suit : la section peut être centralisée, c'est-à-dire placée dans un endroit central à proximité de toutes les sections, ou décentralisée, c'est-à-dire qu'on envoie des véhicules de pièces de rechange aux différentes sections.

14. La disposition des différentes sections de l'organisme de maintenance se fera donc grosso modo en fonction des rapports entre les techniciens des différents services. Le reste de la présente section porte sur les rapports que les services entretiennent entre eux à chaque niveau de l'organisation du GEM. Il faut se rappeler que chaque commandant du GEM déploie son organisme après l'évaluation de la situation, car il arrive souvent qu'une disposition donnée ne convienne pas au terrain alloué. Les installations types décrites dans le présent manuel ne sont données qu'à titre indicatif afin d'illustrer les rapports de travail souhaitables entre les sections.

## **INSTALLATIONS D'UNE TROUPE OU D'UN PELOTON DE MAINTENANCE D'UNITÉ**

15. Doté de l'équipement et des véhicules nécessaires à l'exécution de ses tâches, le peloton ou la troupe de maintenance d'une unité d'armes de combat, qui peut comprendre de 30 à 100 techniciens, se trouve habituellement dans l'échelon A de l'unité.

16. Voici les critères servant à déterminer l'emplacement d'un peloton ou d'une troupe de maintenance d'unité :

- a. **Dimensions.** Normalement, un secteur mesurant environ 250 mètres sur 250 convient à un petit peloton ou à une petite troupe, alors qu'un demi-carré de quadrillage suffit aux pelotons et aux troupes plus nombreux.
- b. **Conditions de travail.** Au niveau d'un peloton ou d'une troupe, parmi les conditions favorisant au maximum le travail, mentionnons :

- (1) les aires en dur,

- (2) les bonnes routes d'accès, et
  - (3) les accès aux sous-unités.
- c. **Considérations de nature défensive.** Comme le peloton ou la troupe peut se trouver à quelques kilomètres de l'ennemi, il faut souligner l'importance des mesures défensives suivantes :
- (1) assurer le couvert,
  - (2) creuser des tranchées,
  - (3) respecter les consignes relatives au bruit, à l'éclairage et aux pistes, et
  - (4) mettre en place une vigilance constante, assurée par des sentinelles, des postes d'écoute et des patrouilles.

## **INSTALLATIONS D'UNE COMPAGNIE DE MAINTENANCE DU BATAILLON DES SERVICES DU GSD**

17. La compagnie de maintenance du bataillon des services du GSD se déploie souvent jusqu'à 20 kilomètres derrière les unités avancées et est normalement située dans la zone administrative de brigade (ZAB). Comme il s'agit d'un organisme du GEM de deuxième échelon, on y trouve tous les types de techniciens présents dans les pelotons et les troupes de maintenance d'unité. De plus, elle dispose de ressources de réparation d'équipement de communications.

18. Le choix de l'emplacement d'une compagnie de maintenance du bataillon des services du GSD s'effectue en fonction des critères suivants :

- a. **Dimensions.** Un secteur correspondant aux trois-quarts d'un carré de quadrillage environ est considéré comme suffisant.
- b. **Conditions de travail.** Parmi les conditions qui favorisent au maximum le travail au niveau de la compagnie, notons :
  - (1) l'accès à 11PR de la brigade,
  - (2) des routes internes convenables, et
  - (3) des aires en dur.
- c. **Considérations de nature défensive.** Étant donné que la compagnie de maintenance se trouve souvent à la portée du tir indirect de l'ennemi, il faut accorder une grande importance aux mesures défensives, dont :

- (1) le couvert (boisés, etc.),
- (2) le creusage de tranchées,
- (3) les restrictions quant aux mouvements de jour,
- (4) le respect des consignes régissant le bruit, l'éclairage et les pistes, et
- (5) une vigilance de tous les instants.

19. La figure 7-1 montre en détail les installations types d'une compagnie de maintenance du bataillon des services du GSD.

### **INSTALLATIONS D'UNE COMPAGNIE DE MAINTENANCE DU BATAILLON DES SERVICES DU GROUPE-BRIGADE**

20. Habituellement, les compagnies de maintenance du bataillon des services du groupe-brigade se déploient de 10 à 20 kilomètres des unités avancées, à l'instar de la compagnie de maintenance du bataillon des services du GSD. En outre, les considérations portant sur la défense et sur les conditions dans lesquelles se déroule le travail ne diffèrent en rien de celles spécifiées aux paragraphes 17, 18 et 19.

21. Ces deux types de compagnies de maintenance du bataillon des services se distinguent principalement par l'importance de leurs effectifs. En effet, la compagnie de maintenance du bataillon des services du groupe-brigade est beaucoup plus grande que celle des services du GSD et son effectif est à peu près du double. Elle est normalement déployée en deux organismes distincts, soit le Groupe de réparation avancé (GRA) et le Groupe de maintenance principal (GMP). Voici les principaux points à considérer en installant ces deux groupes :

a. **Le GAR**

- (1) est normalement situé bien à l'avant dans la ZAB, et



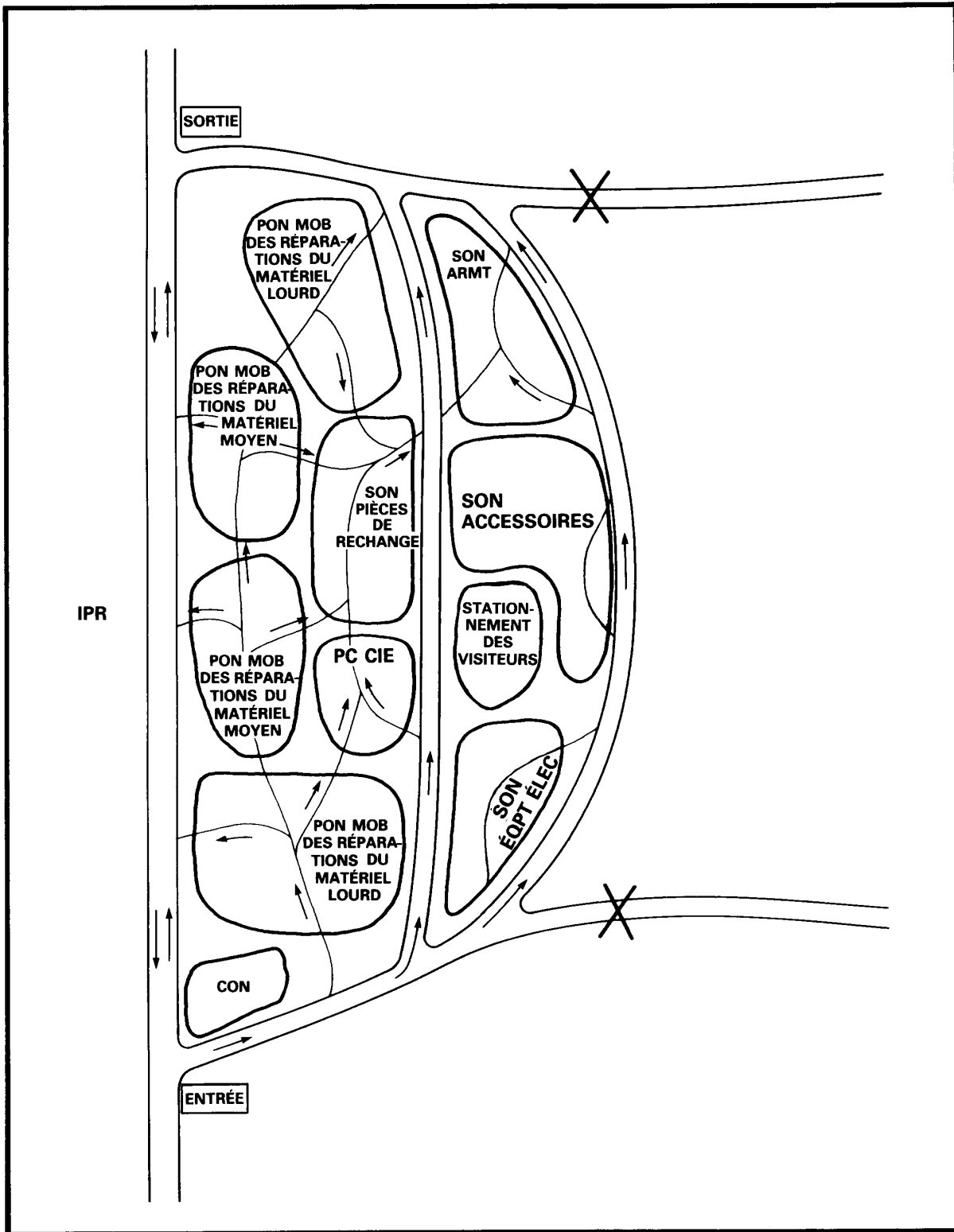


Figure 7-1 Les installations types d'une compagnie de maintenance du bataillon des services du GSD

- (2) doit s'installer dans une aire correspondant à peu près aux trois-quarts d'un carré de quadrillage.

**b. Le GMP**

- (1) est normalement situé à l'arrière de la ZAB, et
- (2) doit également disposer d'une aire de dispersion correspondant aux trois-quarts d'un carré de quadrillage environ.

22. La figure 7-2 montre les installations types d'un GMP d'une compagnie de maintenance du bataillon des services de groupe-brigade.

### **INSTALLATIONS D'UN BATAILLON DE MAINTENANCE DU GSD**

23. Le bataillon de maintenance du GSD prend place dans la zone administrative divisionnaire (ZAD), normalement de 30 à 50 kilomètres environ derrière les unités avancées. Il fournit le soutien de deuxième échelon aux troupes divisionnaires et renforce les ressources de maintenance de brigade, au besoin. De plus, le bataillon est chargé d'établir et de dégager les points de rassemblement de l'équipement (PRE) de brigade.

24. Le bataillon de maintenance est rarement regroupé en un seul endroit. En effet, le commandant déploie souvent certaines compagnies le plus à l'avant possible dans la ZAD et en garde d'autres à l'arrière. Voici les éléments dont il faut tenir compte pour déterminer l'emplacement du bataillon de maintenance :

- a. **Dimensions.** L'étendue des aires de déploiement dépend habituellement des besoins de chaque compagnie plutôt que de tout l'espace nécessaire au bataillon. Chaque compagnie a besoin d'une aire variant entre la moitié et les trois-quarts d'un carré de quadrillage environ.
- b. **Conditions de travail.** Voici les facteurs les plus importants à considérer pour assurer de bonnes conditions de travail :
  - (1) une zone sûre où mener ses activités sans interruption,
  - (2) des aires en dur, et
  - (3) l'accès aux itinéraires principaux de ravitaillement (IPR).
- c. **Considérations de nature défensive.** Il faut pouvoir :
  - (1) disposer d'un abri couvert,

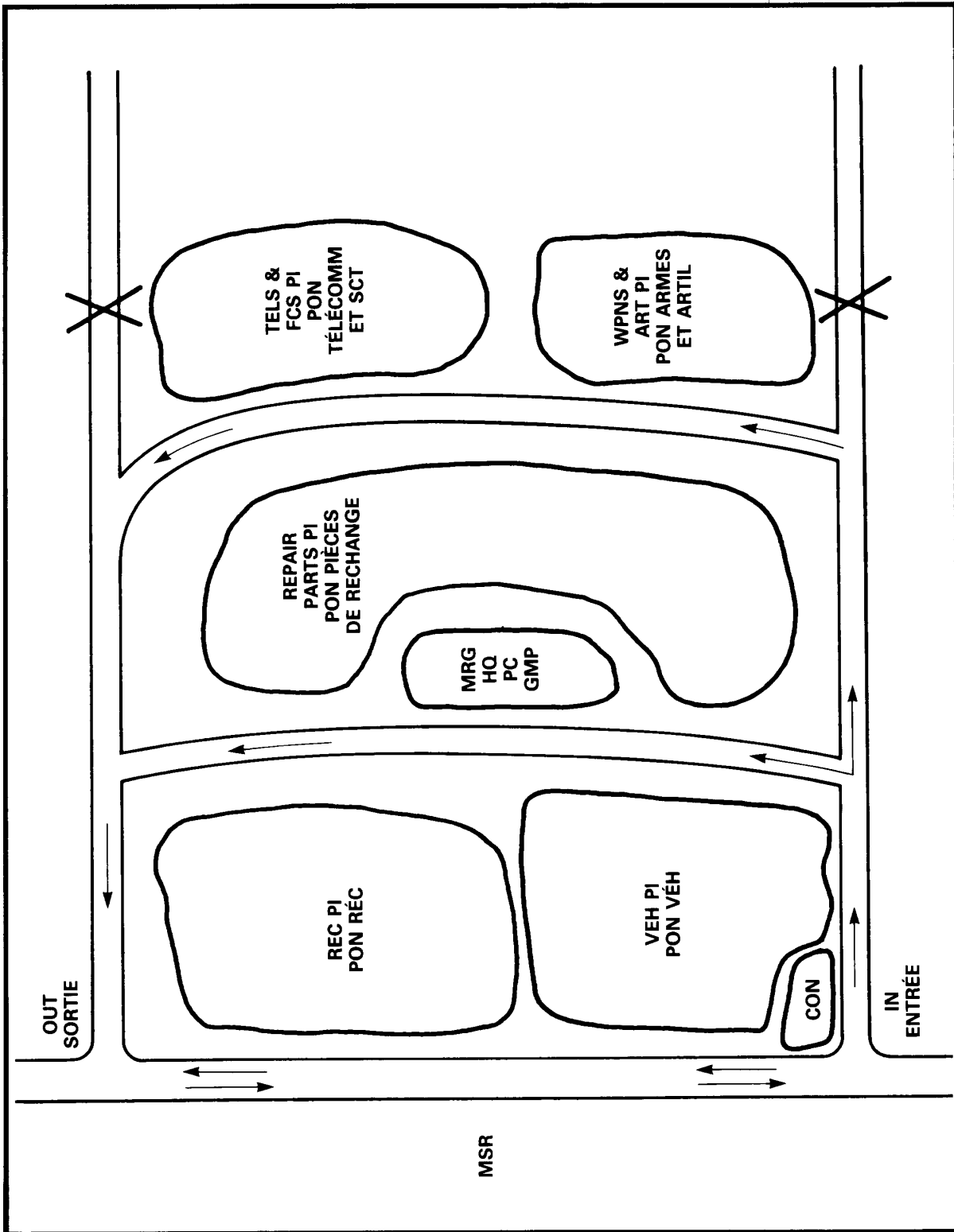


Figure 7-2 Les installations types d'un GMP d'une compagnie de maintenance du bataillon des services du groupe-brigade

- (2) contrôler l'accès au secteur,
- (3) respecter les consignes portant sur le bruit, l'éclairage et les pistes,
- (4) disposer d'une force de réserve capable de réagir aux activités ennemies éventuelles, et
- (5) préparer les défenses locales.

25. La figure 7-3 montre les installations types d'un bataillon de maintenance du GSD dans une ZAD.

### **INSTALLATIONS DE LA BRIGADE DE MAINTENANCE DU COSCA**

26. La brigade de maintenance du COSCA prend place dans la zone administrative de corps (ZAD), et peut être à plus de 100 kilomètres à l'arrière des unités avancées. La brigade est disposée par bataillons plutôt que comme un tout. Les tâches à accomplir et l'obligation de se défendre influent en général sur le déploiement des unités de la brigade de maintenance. Généralement, dans les aires de déploiement, on cherchera à allier les exigences de sécurité aux tâches à exécuter. Voici certains éléments importants dont il faut tenir compte :

- a. on doit déployer, dans la mesure du possible, le bataillon des ateliers lourds du GEM dans une grande ville afin qu'il ait le temps d'installer les chaînes de montage nécessaires dans des bâtiments ad hoc;
- b. le bataillon des ateliers moyens du GEM est le plus souvent déployé vers l'avant de la ZAC, d'où il sera le plus en mesure de soutenir les troupes et les divisions du corps;
- c. le bataillon du dépannage est normalement placé près du bataillon des ateliers moyens du GEM et du quartier général de brigade; et
- d. quant à la compagnie du génie et de l'instruction technique, il est préférable de la placer dans un secteur boisé loin des IPR, c'est-à-dire là où les cours peuvent se donner dans les meilleures conditions possibles.

27. Les installations types de la brigade de maintenance du COSCA dans une ZAC sont données à la figure 7-4.

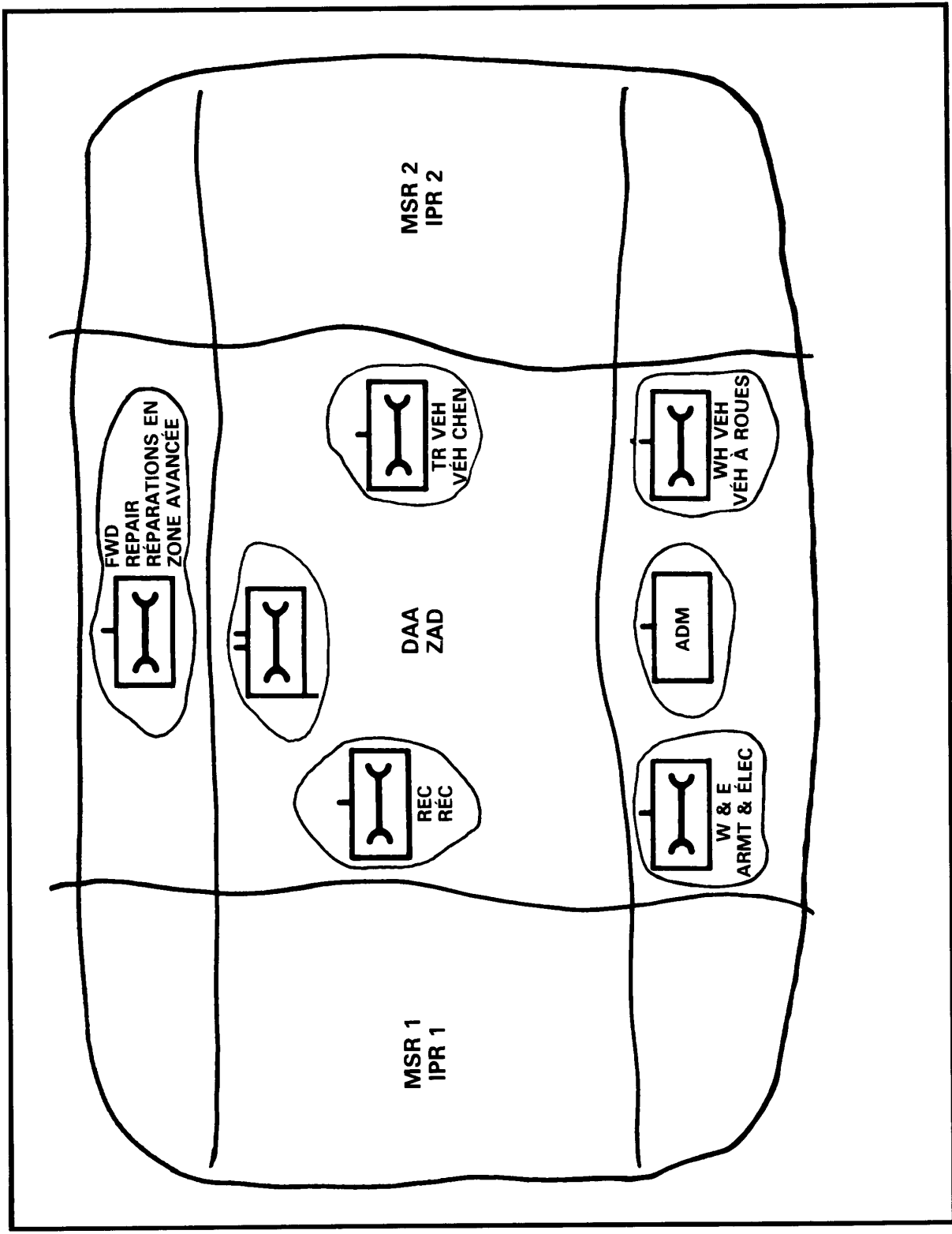


Figure 7-3 Les installations types d'un bataillon de maintenance du GSD

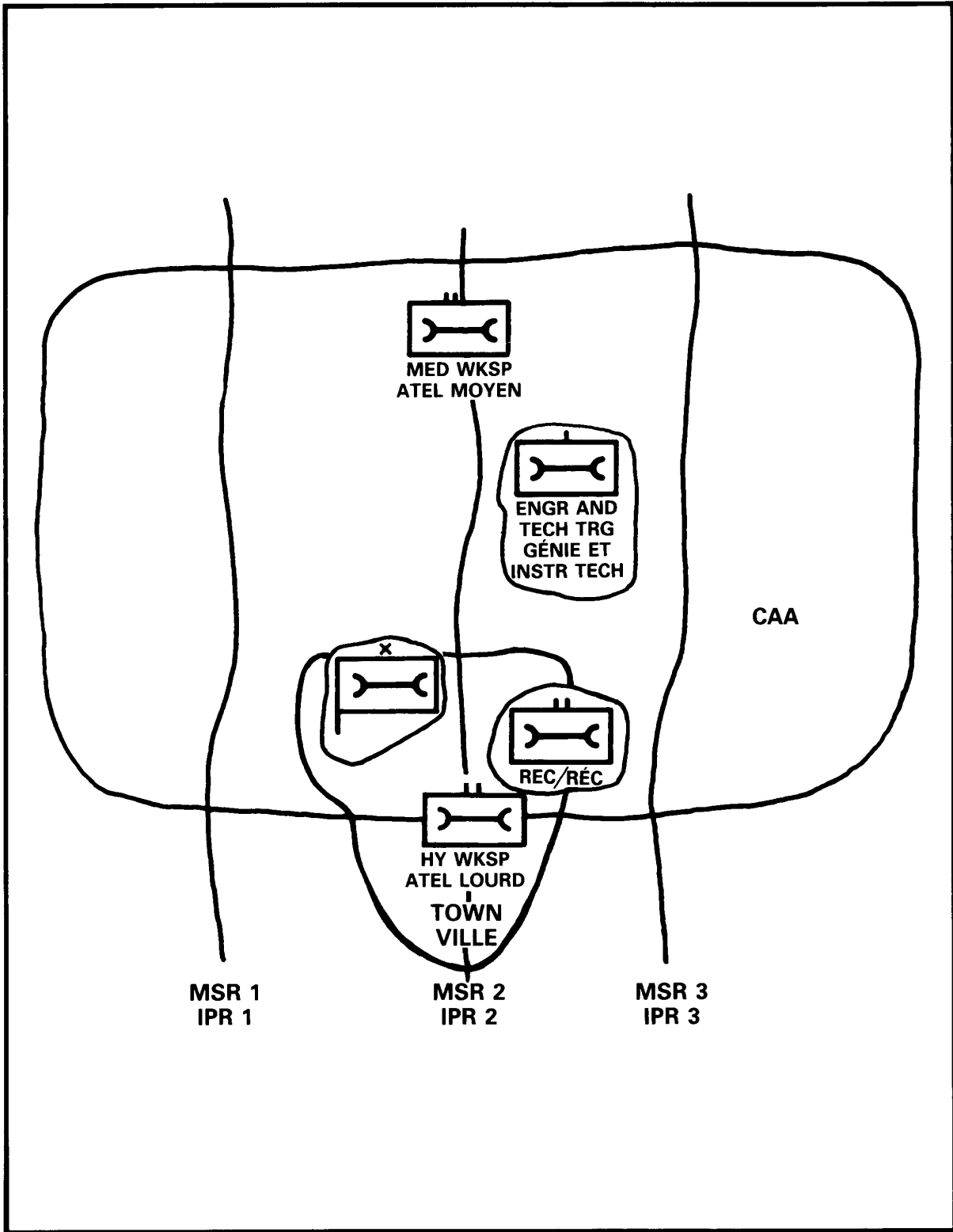


Figure 7-4 Les installations types de la brigade de maintenance du COSCA

## SECTION 3

### TYPES D'OPÉRATIONS

#### INTRODUCTION

28. Les activités du GEM varient en fonction des types d'opérations tactiques. Dans la présente section, on traite de chaque type d'opération et de leurs répercussions sur les organismes du GEM de soutien. Voici l'ordre dans lequel les opérations sont traitées :

- a. les opérations défensives;
- b. les opérations offensives; et
- c. le repli.

#### OPÉRATIONS DÉFENSIVES

29. Les opérations défensives ont pour but d'éviter que l'ennemi prenne possession du terrain ou perce la zone défensive. Elles visent à contrer l'attaque de l'ennemi, à détruire ses forces et à l'empêcher d'atteindre son objectif.

30. Le rôle des services de maintenance dans les opérations défensives consiste à remettre en état de combat le plus de matériels possible dans les plus courts délais. Pour ce faire, il faut prendre les mesures suivantes :

- a. recourir le plus possible aux réparations sur place;
- b. réduire le nombre d'inspections du matériel et de modifications non essentielles;
- c. affecter les ressources de dépannage au dégagement constant des routes;
- d. récupérer rapidement l'équipement endommagé et l'envoyer à l'arrière sans tarder aux PRE et aux PEVAR;
- e. modifier souvent, au cours d'un assaut de l'ennemi, les priorités et le temps consacré aux réparations;
- f. devoir peut-être fournir en priorité des services de maintenance aux forces de contre-attaque ou d'arrêt au détriment d'autres éléments; et
- g. au cours d'une contre-attaque, réparer sur place les véhicules hautement prioritaires et se préparer à se déplacer vers l'avant pour soutenir l'offensive.

## **OPÉRATIONS OFFENSIVES**

31. Les opérations offensives ont pour but de détruire les forces ennemies et de leur imposer la volonté du commandant.

32. Au cours de l'offensive, le rôle des services de maintenance du GEM consiste à dégager les itinéraires et à tenir en bon état de combat le plus grand nombre possible de véhicules et d'équipement. Pour ce faire, les organismes du GEM doivent :

- a. inspecter en détail tout l'équipement lorsqu'on annonce la tenue d'une opération offensive, à condition de disposer d'un préavis suffisant;
- b. établir les priorités de réparation en s'assurant que l'équipement qui a le plus d'importance au combat puisse être réparé le plus rapidement;
- c. diminuer le nombre d'inspections et de modifications et restreindre le temps alloué aux réparations au fur et à mesure qu'approche le moment de déclencher l'offensive;
- d. planifier le dépannage et, si possible, mettre en place d'avance les ressources, puis les envoyer aux endroits névralgiques après que les unités de combat de tête ont percé les lignes ennemies;
- e. effectuer le plus de réparations sur place;
- f. faire en sorte que les organismes du GEM des niveaux supérieurs renforcent les ressources de réparation et de dépannage des éléments du GEM des niveaux inférieurs, selon les besoins; et
- g. préparer les organismes du GEM à soutenir d'autres opérations offensives.

## **REPLI**

33. Nos forces se replient lorsque le commandant décide qu'il est préférable de livrer le combat à un autre moment et à un autre endroit. Dans un mouvement de repli, on cherche à occuper une nouvelle position défensive en évitant le plus possible les interventions ennemies.

34. Pendant le repli, les unités du GEM doivent garder les itinéraires dégagés et transporter le matériel endommagé à un endroit où il peut être réparé ou envoyé à l'arrière. Pour ce faire, il faut s'assurer :

- a. que le plus grand nombre possible de ressources affectées au dépannage demeure à l'avant, même si le gros des ressources de réparation figure parmi les premiers éléments à se replier dans la nouvelle zone;



- b. que les PRE et les PEVAR sont dégagés avant le début du repli et que l'équipement qu'on ne peut envoyer à l'arrière est détruit le plus tard possible avant que l'ennemi ne puisse s'en emparer; et
- c. que les véhicules de combat hautement prioritaires qui ont besoin de petites réparations, tels que les chars, sont réparés le plus à l'avant possible.

## **CHAPITRE 8**

### **LA MAINTENANCE DANS DIFFÉRENTES CONDITIONS**

#### **SECTION 1**

#### **GÉNÉRALITÉS**

##### **INTRODUCTION**

1. La conduite d'opérations tactiques sous des climats extrêmes comme les déserts, les jungles, les montagnes ou l'Arctique pose, à tout le moins, certaines difficultés. Bon nombre des matériels dont sont dotées les formations de combat sont sensibles au milieu et doivent faire l'objet d'un entretien poussé pour rester opérationnels.

##### **LES OPÉRATIONS DANS LE DÉSERT**

2. Les régions désertiques se caractérisent par de grands espaces arides où les routes sont non seulement peu nombreuses, mais de piètre qualité. Le sol est généralement couvert de dunes de sable qui se déplacent constamment, de pierres et de rochers; de telles conditions rendent très difficiles le déplacement des véhicules. Les points de repère pour la navigation sont peu nombreux; les commodités comme la nourriture et l'eau s'y font rares. Le peu de colonies qu'on trouve dans les déserts sont la plupart du temps situées près des points d'eau. Le jour, les températures atteignent des sommets intolérables et baissent de façon draconienne la nuit.

3. Les opérations dans cet environnement sont difficiles. Pour se rapprocher de l'ennemi, les troupes doivent souvent parcourir de grandes distances, tout en étant peu ou pas protégées. L'effet de surprise est souvent difficile à obtenir, mais s'avère très efficace s'il réussit. Les préparatifs au combat doivent être très bien planifiés : il faut orchestrer le mouvement des armes d'appui sur des réseaux routiers de piètre qualité de telle façon que tous les éléments seront en place au moment de livrer le combat. Les chenillés sont adaptés au désert, mais les véhicules à roues doivent circuler sur des routes existantes. Les attaques de chars et de l'infanterie mécanisée, filant à toute vitesse et provenant du flanc ou de l'arrière, peuvent réussir.

4. À cause de la présence du sable, de la chaleur, de l'étendue des lignes de communication, des mauvaises routes et de la difficulté à repérer tant les unités assurant le soutien que celles qui sont soutenues, les opérations dans le désert présentent de nombreuses difficultés aux services du GEM. En raison de tous ces facteurs, on a grand avantage à utiliser les transports aériens pour déplacer les équipes de réparation et pour livrer les pièces de rechange.

5. Dans le désert, certaines tâches de maintenance deviennent beaucoup plus exigeantes. L'entretien préventif revêt alors une importance capitale. Il faut augmenter la fréquence des inspections périodiques; par exemple, il faut nettoyer les épurateurs d'air, vidanger et nettoyer les systèmes de refroidissement et changer les filtres plus souvent dans tous les cas. Il faut faire les lubrifications et les vidanges à des intervalles plus rapprochés, nettoyer les armes constamment et faire en sorte que le sable n'endommage pas le matériel.

6. Dans le désert, les éléments suivants influent généralement sur les activités du GEM :
- a. les unités soutenues sont plus éloignées et peuvent être difficiles à repérer s'il faut leur fournir des services de réparation sur place ou dépanner l'équipement;
  - b. les dispositifs de défense antiaérienne passive, comme l'emploi des filets de camouflage pour cacher les véhicules et les installations et le recours à la dispersion comme mesure défensive, demandent qu'on déploie de très grands efforts;
  - c. on peut être obligé d'augmenter les stocks de certaines pièces de rechange comme les filtres, les roulements à billes, les éléments des systèmes de refroidissement;
  - d. pendant la journée, à cause de la chaleur, le rendement du personnel de maintenance du GEM diminue et il faut autant que possible travailler la nuit, en respectant les consignes sur le black-out le cas échéant;
  - e. en général, les besoins en services de maintenance liés aux opérations que mènent les unités soutenues augmentent;
  - f. dans la mesure du possible, tous les travaux de maintenance doivent être exécutés à l'abri ou sous couvert afin que le sable ne pénètre pas dans les composantes internes de l'équipement. Même lorsqu'on effectue des réparations sur place, on doit construire un abri ou installer un rideau de toile pour empêcher que le sable soulevé par le vent ne pénètre dans le matériel; et
  - g. il faut mettre l'accent sur les réparations en zone avancée à cause de la très grande mobilité exigée des unités soutenues.

## **LES OPÉRATIONS DANS LA JUNGLE**

7. La jungle se caractérise par un terrain accidenté, des forêts tropicales à végétation dense, des températures élevées, des pluies diluviennes, une abondance d'animaux sauvages, des réseaux routiers impraticables ou presque qui, dans de nombreux endroits, se résument à des sentiers.

8. Les opérations de combat dans la jungle se résument invariablement à des assauts à pied appuyés d'un tir direct ou indirect limité. Le tir d'artillerie et l'appui aérien rapproché, à l'instar de l'appui d'autres éléments de combat, n'ont qu'un effet limité. Habituellement, on détermine la nature du combat en fonction de la taille et de la préparation des forces offensives et défensives ainsi que de l'entraînement et de la capacité des soldats de mener le combat au corps à corps. Les unités de combat sont normalement dotées d'un équipement léger comprenant un petit nombre de véhicules.

9. Au cours des opérations dans la jungle, la chaleur et l'humidité ont un effet immédiat sur l'équipement. On doit alors suivre à la lettre le programme d'inspection et de maintenance préventive. Le terrain accidenté et les mauvaises routes endommagent également le matériel mobile, entraînant plus de soins de maintenance à tous les niveaux. Les besoins accrus en matière de maintenance, joints aux difficultés de transport, obligent les unités à transporter de plus grandes charges de pièces de rechange. De plus, comme il faut insister davantage sur la maintenance des armes, des systèmes de conduite du tir et de l'équipement de communication, les organismes du GEM se voient contraints d'augmenter le nombre de techniciens spécialisés dans ces domaines.

10. L'existence ou l'absence de pistes, de routes, de cours d'eau, la densité de la végétation, la saison, la sécurité des itinéraires et les conditions du terrain en général, jouent beaucoup sur le genre de transport qu'on peut utiliser et, par conséquent, sur le fonctionnement des services de maintenance. Au niveau des formations, on cherche à effectuer le plus de réparations possible en zone avancée, en se fiant si possible aux transports aériens pour assurer le déplacement des équipes affectées aux réparations et la livraison des pièces de rechange.

11. Lorsqu'on assure le soutien d'unités largement disséminées, l'organisme du GEM de deuxième échelon renforce habituellement les ressources de maintenance des unités qu'elles soutiennent. Les techniciens supplémentaires effectuent souvent des réparations de deuxième échelon et viennent renforcer le soutien au premier échelon de l'unité. Les organismes du GEM de deuxième échelon sont souvent appelés à redoubler d'efforts à cause des difficultés que présente l'envoi du matériel à l'arrière.

12. Du fait que les conditions du terrain dans la jungle limitent le nombre d'endroits où installer les services de maintenance, on peut être obligé d'effectuer des travaux de génie considérables pour aménager convenablement les emplacements choisis. Par conséquent, les organismes du GEM ne peuvent pas toujours se déployer comme ils le feraient en terrain plus favorable. Dans les régions où sévit la mousson, on doit choisir l'emplacement avec le plus grand soin. Vu la situation, les éléments de soutien au combat peuvent être obligés de s'installer à proximité les uns des autres, ce qui facilite la protection locale contre les attaques terrestres et les opérations de guérilla, mais les expose davantage aux attaques aériennes et au tir indirect.

## **LES OPÉRATIONS DANS LES MONTAGNES**

13. Les régions montagneuses se caractérisent par un terrain accidenté, un nombre limité de routes praticables qui traversent ou contournent les montagnes, de grandes forêts en basses altitudes et une abondance de précipitations sous forme d'averses et de chutes de neige. Les températures y sont habituellement modérées et ne présentent que rarement des problèmes aux soldats bien entraînés.

14. Les opérations en montagne sont très difficiles. Le terrain favorise beaucoup plus les troupes qui se défendent que les troupes qui attaquent. Les formations ne peuvent se déplacer que sur un nombre limité de routes et souvent, à la file. Il est difficile de se protéger au cours de ces mouvements car l'ennemi peut observer la situation de très loin. Les opérations aéroportées et aéromobiles sont souvent les plus efficaces car, grâce à elles, on peut surprendre l'ennemi. L'appui aérien rapproché et le tir indirect n'ont bien souvent qu'un effet limité.

15. Quand on prévoit mener des opérations en montagne, il faut entraîner et acclimater le personnel qui doit y participer. En outre, on peut être obligé d'apporter des modifications au matériel pour pouvoir manoeuvrer efficacement à haute altitude. Il est souvent nécessaire d'adapter l'équipement et l'organisation des unités de combat, des unités de soutien tactique et des unités de soutien au combat à la région où l'on se trouve.

16. En ce qui concerne le soutien du GEM en terrain montagneux, il faut tenir compte de ce qui suit :

- a. les unités soutenues sont dotées d'un nombre limité d'équipements lourds tels que des chars. Par conséquent, les dotations en pièces de rechange sont moins élevées à tous les niveaux. Toutefois, pour d'autres types d'équipements comme les postes radio, les besoins en services de soutien augmentent;
- b. l'usure et la détérioration du matériel sont plus rapides et plus accentuées que dans des conditions climatiques normales. Les armes, les postes radio et certains autres articles s'endommagent facilement dans le transport ou au cours de déplacements en terrain accidenté. Pour l'utilisateur et la personne chargée d'entretenir l'équipement, il s'agit de mettre l'accent sur l'entretien préventif et la maintenance effectués au niveau de l'unité;
- c. il est souvent nécessaire de recourir à des aéronefs pour livrer les pièces de rechange, transporter les équipes de réparation et envoyer à l'arrière l'équipement devenu inutilisable;
- d. on cherche surtout à envoyer des équipes en zone avancée et à effectuer des réparations sur place afin de limiter au minimum l'envoi de l'équipement à l'arrière. Souvent, les organisations du GEM de deuxième et de troisième échelons affectent des éléments à la formation ou à l'unité soutenue pour répondre à ce besoin;
- e. en raison du nombre limité de routes, il est souvent nécessaire d'affecter des équipes de réparation ou de dépannage à la patrouille routière. Il faut évacuer sans tarder les véhicules qui ne peuvent être réparés rapidement pour que les routes restent dégagées; et
- f. les lignes de communication sont souvent allongées en raison d'un terrain peu propice ou de routes impraticables.

## LES OPÉRATIONS DANS LES RÉGIONS SEPTENTRIONALES

17. Le Grand Nord se caractérise par un terrain et des conditions climatiques qui rendent très difficile la conduite d'opérations militaires. Au cours de l'hiver, le terrain est couvert d'une épaisse couche de neige, les températures sont extrêmement froides et les vents, très violents. Au printemps et à l'été, les températures sont modérées, le terrain devient boueux et détrempé lorsque dégèlent les fondrières, les marécages, les marais et les voies d'eau.

18. En régions septentrionales, il devient très difficile de mener des opérations de combat. Les forces doivent se déplacer dans des véhicules spéciaux ou à pied, étant donné que les routes, lorsqu'il y en a, sont mauvaises. Les véhicules qui n'exercent qu'une faible pression au sol, même s'ils sont préférables, ont une capacité limitée d'appui-feu. Par conséquent, le combat est habituellement livré par des troupes dotées de matériel léger, aux moyens d'appui-feu limités et capables d'une mobilité plus ou moins grande. Dans de telles conditions climatiques, ce sont les opérations aéroportées qui sont les plus efficaces.

19. Au cours de l'hiver, les forces de combat dans le nord font face à des vents et à des froids extrêmes. Les soldats consacrent donc une grande partie de leurs efforts à assurer leur survie. Les vêtements dont ils ont besoin sont épais et gênent leurs mouvements. On garde souvent les moteurs en marche afin d'éviter qu'ils ne gèlent. Il est difficile de se camoufler et d'échapper à l'observation des forces aériennes et terrestres ennemies, en raison des signatures thermiques que dégagent l'équipement et les pistes laissées dans la neige par le personnel et l'équipement. Les mouvements sont lents et même la tâche la plus simple prend de deux à trois fois plus de temps que dans des conditions normales.

20. L'entraînement spécial, l'acclimatation du personnel et le matériel spécialisé comme les chenillés, les traîneaux et les abris chauffés facilitent les opérations dans le Grand Nord. Toutes les pièces d'équipement utilisées dans les régions septentrionales subissent les effets des grands froids et de la neige en hiver, de la boue et de l'eau, en été. Le nombre des problèmes liés à la maintenance augmente du fait qu'il faut se servir de matériels spécialisés et que l'équipement s'use beaucoup plus vite selon les conditions saisonnières.

21. Lorsqu'on répare de l'équipement gelé, de nombreuses pièces ont tendance à se casser; il est essentiel donc de disposer d'installations de maintenance chauffées. En outre, comme les boulons, les écrous, les bâtis, etc., ont tendance à se fendre, le travail s'en trouve habituellement accru d'autant. Même si les abris chauffés facilitent grandement la réparation de l'équipement, ils offrent le désavantage suivant : l'équipement présente une signature infrarouge bien délectable pendant un certain temps après sa réparation. Voici d'autres facteurs qui influent négativement sur les services pourtant essentiels du GEM :

- a. le terrain rend plus difficile l'envoi du matériel hors d'usage des unités utilisatrices aux services de maintenance situés à l'arrière;
- b. les réparations en zone avancée sont difficiles à cause du froid et des rafales de neige qui entravent les opérations et nuisent au bon rendement du personnel;

- c. les dotations en pièces de rechange sont plus nombreuses et plus variées qu'en temps normal; et
- d. les réparations sur place et le dépannage, dans des climats extrêmes, prennent plus de temps que si elles étaient effectuées dans des conditions normales.

22. Comme il faut que le gros du matériel soit toujours en marche pour qu'il ne gèle pas, l'utilisateur et l'unité doivent s'occuper plus spécialement de l'entretien, surtout préventif. On doit donc vérifier l'équipement régulièrement et garder des pièces de rechange en cas de panne.

## **LES OPÉRATIONS DE GUERRE NBC**

23. En période de guerre, on peut s'attendre à ce que l'ennemi déploie un vaste assortiment d'armes NBC dès qu'une décision politique aura été prise en ce sens. Les forces du Pacte de Varsovie disposent de systèmes d'armes NBC à tous les niveaux de commandement, du front à la division. Des engins nucléaires tactiques peuvent être lancés à l'aide de missiles ballistiques tactiques (NBT) ou de roquettes (FROG), de pièces d'artillerie lourde ou d'aéronefs. En outre, tous les systèmes d'armes nucléaires ainsi que les lanceroquettes multiples (LRM) de gros calibre peuvent servir à propager des produits chimiques mortels comme des agents suffocants, des hémolytiques, des gaz vésicants, des incapacitants nerveux et des myco-toxines.

24. Les forces du Pacte de Varsovie précisent qu'elles déclencheront une attaque nucléaire et chimique s'il le fallait pour atteindre leurs objectifs nationaux. Il est beaucoup moins probable cependant qu'elles recourent aux agents biologiques. Par conséquent, on ne traite pas dans le présent manuel de la menace de guerre biologique.

25. Les unités du GEM seront donc continuellement menacées d'une attaque nucléaire ou chimique; par conséquent, elles doivent connaître à fond les mesures de protection contre la détection et les attaques ennemies.

## **CONTAMINATION DE L'ÉQUIPEMENT**

26. Dans un environnement de guerre NBC, la contamination de l'équipement pose un problème majeur aux techniciens du GEM. De nombreux matériaux dans l'équipement peuvent facilement être contaminés et présenter un danger pour les techniciens chargés de réparer le matériel, qui ne portent pas les bons vêtements protecteurs. Par exemple, les agents chimiques peuvent demeurer en suspension dans les huiles et les graisses d'un véhicule qui a été soumis à une attaque chimique et présenter, pendant un certain temps, un danger mortel pour le technicien.

27. Lorsque des armes chimiques ou nucléaires ont été utilisées, les unités du GEM doivent s'assurer que la surveillance de contamination NBC a été mise en place. Pour ce faire, on doit d'abord être sûr que l'équipement reçu d'une autre unité n'est pas contaminé.

28. Il est également important que le personnel du GEM soit en mesure de réparer la pièce d'équipement contaminée, puis de la retourner au combat dans les plus brefs délais. Pour ce faire, il faut que tous les officiers et tous les techniciens aient subi un entraînement à la guerre NBC au

préalable et qu'ils aient été munis de tous les vêtements protecteurs nécessaires. Un élément important dont il faut tenir compte lorsqu'on travaille dans un milieu contaminé, c'est le temps qu'il faut mettre à effectuer même les tâches les plus simples. Les vêtements NBC, chauds et encombrants, gênent les mouvements et peuvent entraîner la déshydratation ou l'hyperthermie si l'on ne prend pas les mesures qui s'imposent. Il devient donc essentiel que les équipes de travail se relaient plus souvent et que le temps nécessaire pour effectuer une tâche soit allongé de beaucoup par rapport à ce qui se ferait en milieu non contaminé.

## **DÉCONTAMINATION**

29. En général, tout l'équipement à réparer est au préalable décontaminé dans les installations du GEM situées en zone arrière. Les unités et les sous-unités avancées du GEM doivent suivre les directives émanant de leur commandant et portant sur la décontamination de l'équipement. Le commandant fonde ces dernières sur l'évaluation de la situation et sur la situation tactique. Par exemple, lorsqu'un commandant a immédiatement besoin de tout son équipement au combat, il ordonne que le matériel soit réparé même s'il est contaminé et prend à sa charge les conséquences possibles pour les techniciens.

30. L'officier supérieur du GEM oriente évidemment le commandant dans ses choix. Toutefois, l'objectif général de retourner le maximum d'équipement au combat demeure primordial. Étant donné que le travail en milieu de contamination NBC tend à dégrader les services offerts par l'unité du GEM, il peut être rentable de décontaminer l'équipement pour que les techniciens travaillent dans un environnement décontaminé. L'officier supérieur du GEM doit être prêt à discuter de cette question avec son commandant.

## **LIGNE DE CONDUITE EN MATIÈRE DE GUERRE NBC POUR LES UNITÉS DU GEM**

31. La ligne de conduite en matière de guerre NBC dans les unités de GEM doit être précisée dans les IPO de formation et d'unité. Tous les militaires, peu importe le grade, doivent s'exercer à mettre en pratique ces instructions afin qu'ils sachent bien comment vivre et travailler en sécurité dans un environnement de guerre NBC.

## **CONCLUSION**

32. Nous devons être conscients de la menace éventuelle que présente l'emploi d'armes nucléaires ou chimiques sur tout champ de bataille à venir. Le recours à ces armes aura des effets dévastateurs sur notre armée; c'est seulement en se préparant adéquatement que nous pourrions atteindre les objectifs du commandant et continuer à fournir les services du GEM. L'armée doit absolument compter sur eux pour poursuivre le combat malgré l'emploi d'armes NBC par l'ennemi.



ANNEX A

**DOCUMENTS DE RÉFÉRENCES ET ACCORDS DE  
STANDARDISATION**

1. Les publications suivantes complètent le présent manuel.

**a. Publications des Forces canadiennes :**

- (1) B-GL-300-000/FP-000, L'armée de terre,
- (2) B-GL-301-001/FP-001, Les formations terrestres au combat,
- (3) B-GL-303-001/AF-001, Corps '86 Establishments,
- (4) B-GL-303-002/FP-Z03, Vocabulaire de l'armée de terre,
- (5) B-GL-304-002/FP-001, Unit Administration,
- (6) B-GL-311-000/FP-001, L'administration au combat,
- (7) B-GL-312-001/FP-001, Le bataillon des services du groupe-brigade au combat,
- (8) B-GL-312-002/FP-001, Le groupe des services divisionnaires au combat,
- (9) B-GL-312-003/FP-001, Corps Service Command in Battle, et
- (10) B-GL-314-001/AF-001, Le service du génie électrique et mécanique.

**b. Publications de l'OTAN :**

- (1) AAP-6, Glossaire OTAN de termes et définitions, et
- (2) ATP-35, Doctrine tactique des forces terrestres.

**c. Publications consultatives quadripartites ABCA : PCQ 6 Vocabulaire de la logistique des armées ABCA.**

2. L'accord de standardisation quadripartite (pays ABCA) (QSTAG) suivante a été ajouté au présent manuel : QSTAG 171, Procedure for Requesting Repair and Recovery of LAND MILITARY TECHNICAL EQUIPMENT.